

Instruction Manual ZEISS Primostar 1

使用指南 ZEISS Primostar 1

Betriebsanleitung ZEISS Primostar 1

Manuel d'instructions ZEISS Primostar 1

Manuale di istruzioni ZEISS Primostar 1

Instrukcja obsługi ZEISS Primostar 1

Manual de instruções ZEISS Primostar 1

руководства по эксплуатации ZEISS Primostar 1

Manual de instrucciones ZEISS Primostar 1





authorized dealer:
Pulch + Lorenz microscopy
Am Untergrün 23, D-79232 March
tel: 07665 9272-0
fax: 07665 9272-20
mail: kontakt@pulchlorenz.de
web: pulchlorenz.de

Instruction Manual ZEISS Primostar 1

Original Manual (en-US)

Translation of the original manual (zh-CHS, de, fr, it, pl, pt, ru, es)

Order Number: 415501-7021-111

Revision: 2

Language: en-US, zh-CHS, de, fr, it, pl, pt, ru, es

Effective from: 06/2021

Carl Zeiss Microscopy GmbH
Carl-Zeiss-Promenade 10
07745 Jena
Germany
info.microscopy.de@zeiss.com
www.zeiss.com/microscopy



Carl Zeiss Suzhou Co., Ltd.
Modern Industrial Square 3-B, No.333 XingPu Road SIP
215126 Suzhou
China

© 2021 Without the prior written consent of ZEISS, this document or any part of it must neither be translated nor reproduced or transmitted in any form or by any means - including electronic or mechanic methods, by photocopying, recording or by any information or filing system. The right to make backup-copies for archiving purposes shall remain unaffected thereby. Any violations may be prosecuted as copyright infringements.

The use of general descriptive names, registered names, trademarks, etc. in this document does not imply that such names are exempt from the relevant intellectual property laws and regulations and therefore free for general use. This shall also apply if this is not specifically referred to. Software programs shall entirely remain the property of ZEISS. No program or subsequent upgrade thereof may be disclosed to any third party, copied or reproduced in any other form without the prior written consent of ZEISS, even if these copies or reproductions are destined for internal use at the customer's only, the only exception being one single back-up copy for archiving purposes.

ZEISS reserves the right to make modifications to this document without notice.

Table of Contents

| | | |
|----------|------------------------------------------------------------|-----------|
| 1 | General Information | 5 |
| 1.1 | Text Conventions and Link Types | 5 |
| 1.2 | Further Applicable Documents | 5 |
| 1.3 | Explanation of Warning messages and additional Information | 6 |
| 1.4 | Contact | 7 |
| 2 | Safety | 8 |
| 2.1 | Intended Use | 8 |
| 2.2 | General Safety Information | 8 |
| 2.2.1 | Requirements for Operators | 8 |
| 2.2.2 | Safe Operating Condition | 9 |
| 2.3 | Prevention of Hazards | 9 |
| 2.3.1 | Mechanical Hazards | 9 |
| 2.3.2 | Electrical Hazards | 9 |
| 2.3.3 | Hazards Generated with the Operating Environment | 9 |
| 2.3.4 | Ergonomic Hazards | 10 |
| 2.3.5 | Hazards generated by Materials and Substances | 10 |
| 2.4 | Warning Labels and Lights | 10 |
| 2.4.1 | Meaning of Warning and Information Labels | 10 |
| 2.4.2 | Warning and Information Labels on the Stand | 11 |
| 3 | Product and Functional Description | 12 |
| 3.1 | Main Components of Primostar 1 | 12 |
| 3.2 | Control Elements and Indicators on the Stand | 13 |
| 3.3 | Objectives | 15 |
| 3.4 | Eyepiece | 16 |
| 4 | Installation | 17 |
| 4.1 | Connecting the Microscope to the Mains Power Supply | 17 |
| 5 | First Operating Steps | 18 |
| 5.1 | Prerequisites for Commissioning and Operation | 18 |
| 5.2 | Switching On the Microscope | 18 |
| 5.3 | Adjusting the Position of the Eyepieces | 18 |
| 5.4 | Installing the Blue Filter | 19 |
| 5.5 | Acquiring an Image | 19 |
| 5.6 | Changing Objectives | 21 |
| 5.7 | Switching Off the Microscope | 21 |
| 6 | Care and Cleaning Work | 22 |
| 6.1 | Cleaning an Optical Surface | 23 |
| 6.2 | Removing Water-soluble Contamination | 23 |
| 7 | Troubleshooting | 24 |

| | | |
|-----------|----------------------------------------------------------------------|-----------|
| 8 | Decommissioning and Disposal..... | 25 |
| 8.1 | Decommissioning..... | 25 |
| 8.2 | Decontamination | 25 |
| 8.3 | Transport and Storage | 25 |
| 8.4 | Disposal | 26 |
| 9 | Technical Data and Conformity..... | 27 |
| 9.1 | Applicable Standards and Regulations..... | 27 |
| 9.2 | Performance Data and Specifications | 27 |
| 9.3 | Performance Data and Specifications of the Optional Components | 28 |
| 10 | Accessories and Optional System Expansions | 30 |
| 10.1 | Installing the Mirror | 30 |
| | Glossary | 31 |
| | Index..... | 32 |

1 General Information

This Instruction Manual is considered to be part of the Primostar 1. Herein after referred to as Microscope.

This Instruction Manual contains basic steps and safety information that must be observed during operation and maintenance. Therefore, the Instruction Manual must be read by the operator prior to commissioning and must always be available at the place of use of the Microscope. This Instruction Manual is an essential part of the Microscope and, if the Microscope is resold, the Instruction Manual must remain with the Microscope or be handed over to the new owner.

1.1 Text Conventions and Link Types

The following text conventions and link types are used:

| Text convention | Meaning |
|---------------------------------------------------------------------------------------------------|-----------------------------------------------------------------------------------------------------------------------------------------------------------------------|
| Click Start . Press the STANDBY button. Press [Enter] on the keyboard. | The names of controls and important information are shown in bold letters. |
| Press <Ctrl+Alt+Del> | Press several keys on the keyboard simultaneously. |
| Select Tools > Goto Control Panel > Airlock . | Follow a path in the software. |
| <i>Text input</i> | Text to be entered by the user |
| Programming and Macros | Anything typed in literally during programming, including, for example, macro codes, keywords, data types, method names, variables, class names, and interface names. |

Tab. 1: Text convention

| Link type | Meaning |
|-----------------------------------------------------------------------------------------------------------|---------------------------------------------|
| See: <i>Text Conventions and Link Types</i> [▶ 5]. | Link to further information for this topic. |
| https://www.zeiss.com/corporate/int/home.html | Link to a website on the internet. |

Tab. 2: Link types

1.2 Further Applicable Documents

Please take also note of the following documents:

| | |
|---------------------------------------------------------|------------------------------------------------------------------------------------------------------------------------------------------------------------------------------------------------------------------------------------------------------------------------------|
| Brochures and Certificates | For Brochures, ISO certificates, CSA certificates and EU declarations of conformity ask your ZEISS Sales & Service Partner. |
| Local and National health and safety regulations | Local and national health and safety regulations should be adhered to for the site and the use of the Microscope. Please consult with your ZEISS Sales & Service Partner in the event of these regulations conflicting with the installation requirements of the Microscope. |
| Safety data sheets | Observe the enclosed safety data sheets. The instructions and guidelines given in the respective safety data sheets must be complied with. |
| System and 3rd Party Components, Accessories | The Microscope can be configured in many ways. Information about the individual components, enhancements and accessories can be obtained from your ZEISS Sales & Service Partner. Also refer to the 3rd Party documentation of the manufacturer. |

1.3 Explanation of Warning messages and additional Information

DANGER, WARNING, CAUTION, and NOTICE are standard signal words used to determine the levels of hazards and risks of personal injury and property damage. Not only the safety and warning messages in the **Safety** chapter are to be considered also all safety and warning messages in other chapters. Failure to comply with these instructions and warnings can result in both personal injury and property damage and involve the loss of any claims for damages.

The following warning messages indicating dangerous situations and hazards are used in this document.

DANGER

Type and source of danger

DANGER indicates an imminently hazardous situation which, if not avoided, will result in death or serious injury.

WARNING

Type and source of danger

WARNING indicates a potentially hazardous situation which, if not avoided, may result in death or serious injury.

CAUTION

Type and source of danger

CAUTION indicates a potentially hazardous situation which, if not avoided, may result in minor or moderate injury.

NOTICE

Type and source of danger

NOTICE indicates a potentially harmful situation which, if not avoided, may result in property damage.

Info

Provides additional information or explanations to help users better understand the contents of this Instruction Manual.

1.4 Contact

If you have any questions or problems, please contact your local ZEISS Sales & Service Partner or one of the following addresses:

Headquarters

| | |
|--------|------------------------------|
| Phone: | +49 1803 33 63 34 |
| Fax: | +49 3641 64 3439 |
| Email: | info.microscopy.de@zeiss.com |

Courses and training

| | |
|--------|---------------------------------|
| Email: | courses.microscopy.de@zeiss.com |
|--------|---------------------------------|

ZEISS Portal

The ZEISS Portal (<https://portal.zeiss.com/>) offers various services that simplify the daily work with your ZEISS systems (machines and software). It is constantly improved and extended to meet your needs and requirements better.

ZEISS Sales & Service Partner

You can find a ZEISS Sales & Service Partner in your area under <https://www.zeiss.de/mikroskopie/website/forms/sales-and-service-contacts.html>.

Service Germany

| | |
|--------|---------------------------------|
| Phone: | +49 7364 20 3800 |
| Fax: | +49 7364 20 3226 |
| Email: | service.microscopy.de@zeiss.com |

2 Safety

This chapter contains general requirements for safe working practices. Any person using the Microscope or commissioned with installation or maintenance must read and observe these general safety instructions. Knowledge of basic safety instructions and requirements is a precondition for safe and fault-free operation. Operational safety of the supplied Microscope is only ensured if it is operated according to its intended use.

If any work is associated with residual risks, this is mentioned in the relevant parts of this document in a specific note. When components must be handled with special caution, they are marked with a warning label. These warnings must always be observed.

2.1 Intended Use

The Primostar 1 is a microscope that has been especially designed for education and routine.

Typical applications include:

- education (teaching, study)
- laboratories
- medical practices

Improper use can easily lead to impairment of its function or even damage to the Microscope. Damage caused by incorrect operation, negligence or unauthorized intervention, in particular by removing, modifying or replacing parts of the Microscope, can not be held liable by the manufacturer. Third-party devices or components that are not expressly approved by ZEISS may not be used.

2.2 General Safety Information

This Instruction Manual must be read before commissioning in order to ensure safe and uninterrupted operation. Pay particular attention to all listed safety notes. Make sure, that

- the operating personnel has read and understood this Instruction Manual, associated documents and particularly all safety regulations and instructions, and applies them.
- the local and national safety and accident prevention regulations must be observed, as well as the applicable laws and regulations in your country.
- this Instruction Manual is always available with/together with the Microscope.
- the Microscope is always in perfect condition.
- the Microscope is secured against access by unauthorized persons.
- maintenance and repair work, retrofitting, removal or replacement of components, as well as any other intervention in the Microscope not described in this Instruction Manual, may only be carried out by the manufacturer ZEISS or persons expressly authorized by ZEISS to do so.

2.2.1 Requirements for Operators

The Microscope, components and accessories may only be operated and maintained by authorized and trained personnel. The Microscope may only be used in accordance this Instruction Manual. If the Microscope is not used as described, the safety of the user may be impaired and/or the Microscope may be damaged. Any unauthorized intervention or use other than within the scope of the intended use shall void all rights to warranty claims. The regional regulations on health protection and accident prevention must be observed at all times and during all work on and with the Microscope.

Training Authorized ZEISS personnel will provide basic training in operating the Microscope. As well as information on equipment safety and maintenance work that can be conducted by the operator. The training will be documented by ZEISS and its completion is to be confirmed by the operator.

Special application training is offered for a fee. Current training dates, additional information and the registration form can be found at <https://www.zeiss.com/microscopy/int/service-support/training-and-education.html>.

2.2.2 Safe Operating Condition

If circumstances occur which impair safety and cause changes in operating behavior, the Microscope must be shut down immediately and a ZEISS service representative should be informed. The Microscope can only be operated after proper installation by a ZEISS service representative and in compliance with the operating conditions. The Microscope may only be operated after correct installation by a ZEISS service representative and if the operating conditions are adhered to.

- Do not operate the Microscope until you have completely read and understood the entire documentation delivered with the Microscope.
- Make sure that all protective cover panels are installed and all warning labels are available and legible.
- Ensure conditions and take measures to prevent the build up of electrostatic charge on the workplace.

2.3 Prevention of Hazards

This section summarizes potential hazards and recommended safety precautions. Failure to follow the safety instructions and instructions may result in personal injury and property damage.

2.3.1 Mechanical Hazards

Property Damage due to Transport There is a risk of injury and property damage if the Microscope is improperly handled and transported.

- Only use the handle, if applicable, for transport of the Microscope. Otherwise hold the Microscope with one hand and the base plate with the other hand.

2.3.2 Electrical Hazards

Voltage Hazards Risk of electric shock in case of contact with live parts.

Always use the power adapter supplied by ZEISS. When an unsuitable power adapter is used, ZEISS can no longer guarantee the electrical safety and functionality of the Microscope.

- Shut down the Microscope.
- Disconnect the power supply before cleaning.
- Set up and operate the Microscope so that the connectors are easily accessible.

2.3.3 Hazards Generated with the Operating Environment

Dirt, Dust and Moisture Dirt, dust and moisture can impair the Microscope's functionality.

- Shut down the Microscope whenever it is not used and cover it with a dust protection cover.
- Always cover unused openings/ports.
- Regular maintenance and cleaning according to the instructions in this document.
- Make sure that no cleaning liquid or moisture gets inside the Microscope.
- Make sure that the electrical parts never come into contact with moisture.
- Never expose the Microscope to inadmissible climate conditions (high humidity and temperature).

2.3.4 Ergonomic Hazards

Prevention of Musculoskeletal Disorders Musculoskeletal disorders (MSDs) affect the muscles, nerves, blood vessels, ligaments and tendons. Workers in many different industries and occupations can be exposed to risk factors at work, such as lifting heavy items, bending, reaching overhead, pushing and pulling heavy loads, working in awkward body postures and performing the same or similar tasks repetitively. Employers are responsible for providing a safe and healthful workplace for their workers.

2.3.5 Hazards generated by Materials and Substances

- Infection Hazards** Direct contact with the eyepieces can be a potential way of passing on bacterial and viral infections.
- The risk can be lowered by using personal eyepieces or eyecups. If eyepieces need to be disinfected frequently, ZEISS recommends to use the eyepieces without eyecups.
 - To avoid infections, the use of personal protective equipment (PPE) e.g. gloves for operation, cleaning, and decontamination is highly recommended. Disposable gloves can be decontaminated with, e.g., alcohol, if necessary, or should be changed frequently to minimize the risk of contamination.
- Consumable Hazards** Incorrect handling of consumables and cleaning agents can lead to property damage or skin and eye injuries. Consumables that are not approved by ZEISS can lead to property damage. Consult your ZEISS Sales & Service Partner to learn what consumables you can order and how to handle them.
- Disinfectant Hazards** Ensure adequate ventilation in closed rooms. In case of insufficient ventilation, wear respiratory protective equipment. Remove any harmful residue. Allow the device to dry off after disinfection, particularly after disinfection of eyepieces. Do not inhale vapors. When using disinfectants, do not eat, drink or smoke. Avoid contact with eyes and skin. Remove contaminated clothing and wash before reuse.
- Eye, Skin, Respiratory Tract Irritation** Exposure to chemicals and their aerosols can cause eye, skin and respiratory tract irritation. Use appropriate personal protective equipment (PPE).

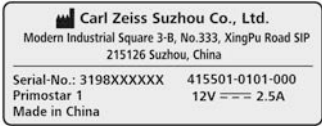
2.4 Warning Labels and Lights




All parts of the Microscope that may pose specific hazards are marked with additional warning labels (pictograms) on the Microscope. These warning labels indicate potential hazards and form part of this Instruction Manual. They are to be kept in clean and easily legible condition.

Check all the mandatory warning labels for: Availability, Legibility, Correctness. Damaged or illegible warning labels must be replaced immediately. Always observe all warning labels on the complete Microscope.

2.4.1 Meaning of Warning and Information Labels

The meaning of the individual warning labels is explained in the following:

| Pos. | Symbol | Description |
|------|-------------------------------------------------------------------------------------|-----------------------|
| 1 |  | Microscope type label |

| Pos. | Symbol | Description |
|------|-----------------------------------------------------------------------------------|---------------------------------------------------------------------------------------------------------------------|
| 2 |  | Hot surface below Operate microscope only on a stable, solid, smooth and not tinderlike (non-flammable) surface. |
| 3 |  | Microscope type label |
| 4 |  | Primostar 1 EU Importer Carl Zeiss Microscopy GmbH Carl-Zeiss-Promenade 10 07745 Jena, Germany |

2.4.2 Warning and Information Labels on the Stand

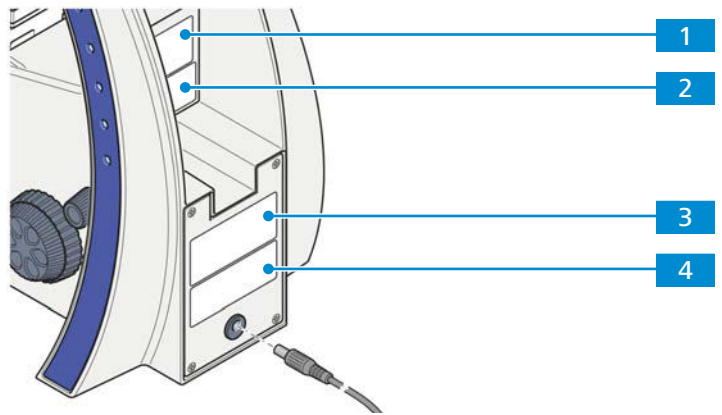


Fig. 1: Position of warning and information labels

3 Product and Functional Description

The Primostar 1 is a transmitted-light microscope of compact design with a small footprint.

The Primostar 1 is a microscope that has been specially developed for education and routine. It features great durability in permanent use.

3.1 Main Components of Primostar 1

Primostar 1 comprises the following main components

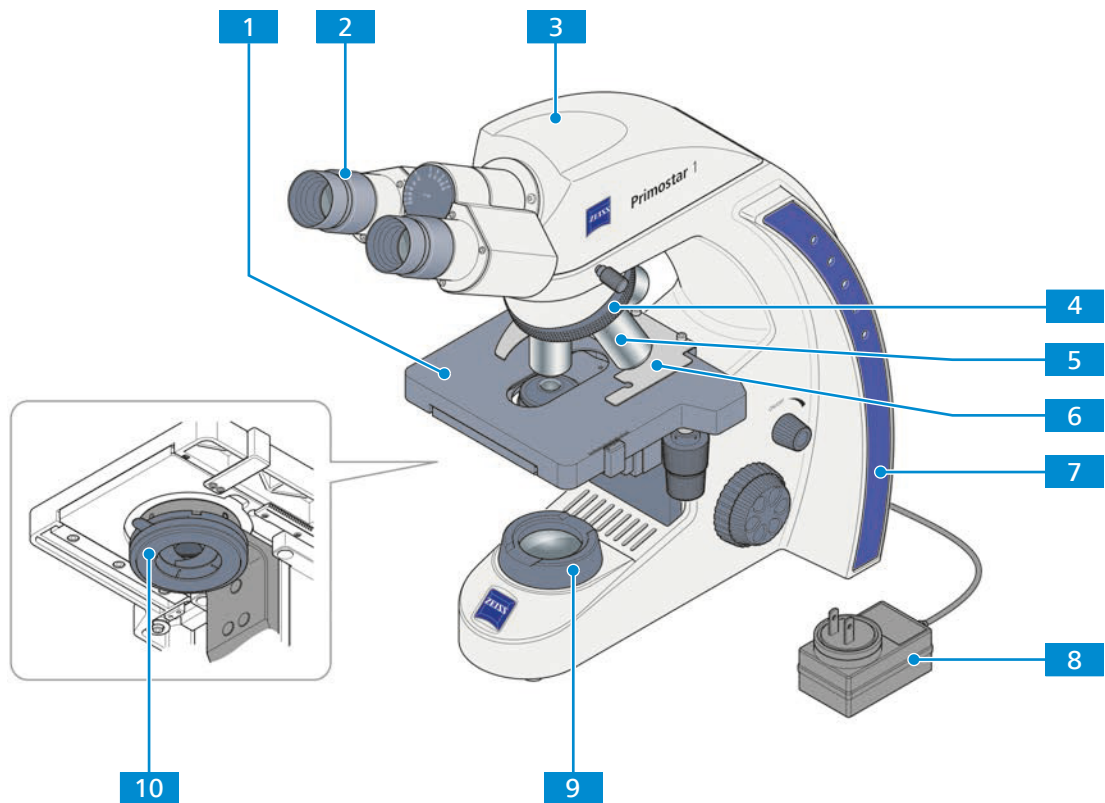


Fig. 2: Main Components of Primostar 1

- | | | | |
|----------|-------------------------------------|-----------|------------------------------|
| 1 | Microscope stage | 2 | Eyepiece |
| 3 | Tube | 4 | Nosepiece |
| 5 | Objective | 6 | Sample holder |
| 7 | Stand | 8 | Power supply unit |
| 9 | Transmitted-light illumination unit | 10 | Abbe condenser, Fixed Köhler |

3.2 Control Elements and Indicators on the Stand

Purpose The controls on the stand control the main functions of the microscope.

Position The following controls are located on the right side of the stand.

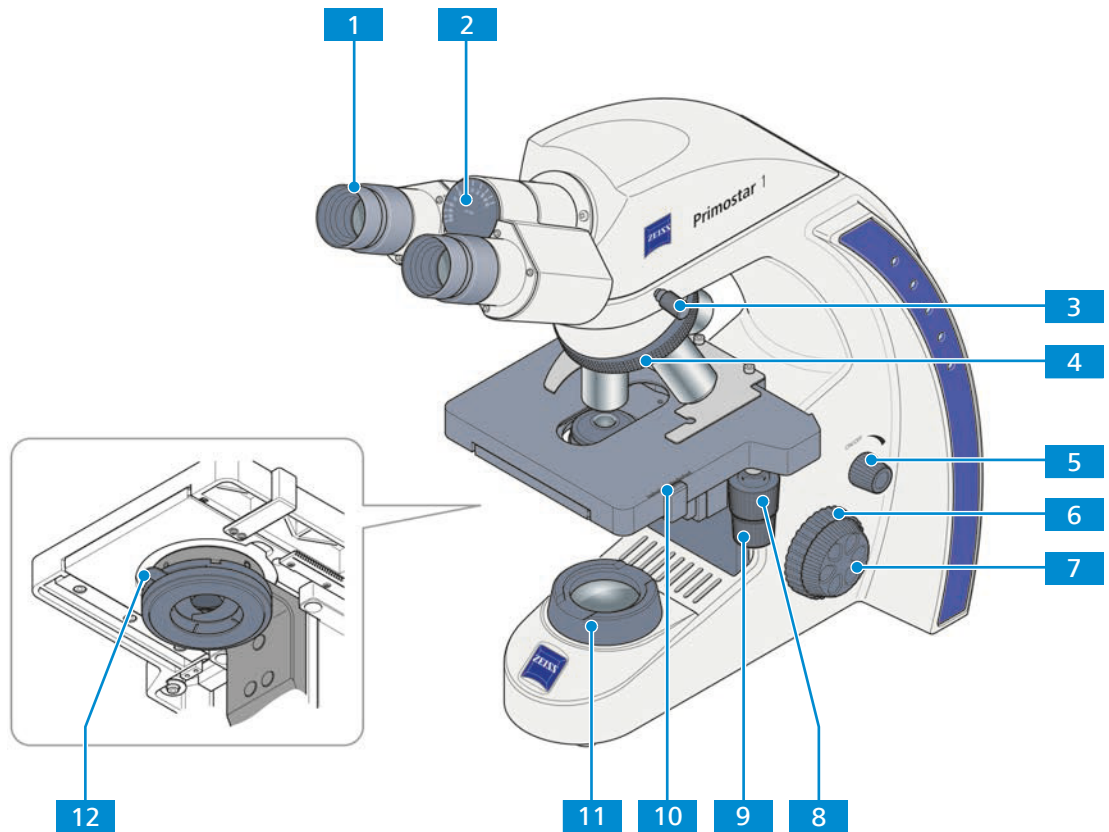


Fig. 3: Stand controls on the right side

- | | |
|------------------------------------------------------|-----------------------------------------------------------------------|
| 1 Eyepiece, adjustable | 2 Interpupillary distance indicator |
| 3 Fixing screw observation tube | 4 Knurled ring for turning the nosepiece |
| 5 Light intensity knob | 6 Coarse focusing drive (right side) |
| 7 Fine focusing drive (right side) | 8 Control knob for Y travel of rackless stage |
| 9 Control knob for X travel of rackless stage | 10 Vernier and scale, displaying the Y position of the stage |
| 11 Transmitted-light illumination unit | 12 Lever for adjusting the aperture diaphragm of the condenser |

Position The following controls are located on the left side of the stand.

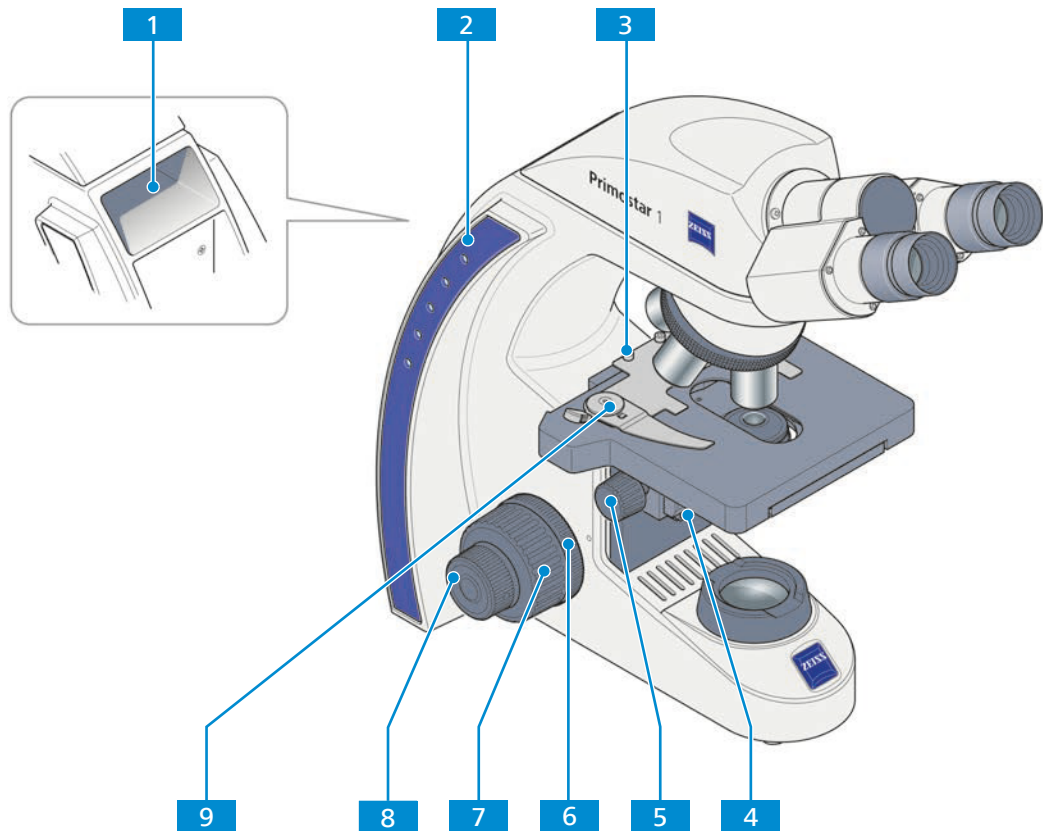
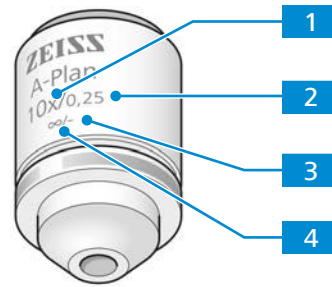


Fig. 4: Stand controls on the left side

- | | |
|-----------------------------------------------------------|---------------------------------------------------------------------------------|
| 1 Carrying handle | 2 Illumination-intensity indicators for transmitted light |
| 3 Clamping screw for the sample holder | 4 Fixing screw for lowering the condenser |
| 5 Knurled ring for condenser height adjustment | 6 Knurled ring for adjusting the smoothness of the coarse focusing drive |
| 7 Coarse focusing drive (left side) | 8 Fine focusing drive (left side) |
| 9 Lever of the sample holder for fixing the sample | |

3.3 Objectives

The functional characteristics of an objective are indicated by the respective labeling, e. g. **A-Plan 10x/0,25 ∞/-**.



1 Magnification of the objective

The magnification factor specifies the magnification of the objective. Larger magnifications allow to resolve smaller features on the sample.

The objective's magnification factor is also expressed by the objective's color ring, see ZEISS color code.

The objective magnification multiplied by the eyepiece magnification gives the overall magnification.

2 Numerical aperture (NA)

The numerical aperture multiplied by 1000 represents the maximum useful magnification - above that limit no additional resolution is provided.

3 Applicable cover glass thickness

- : The objective can be used without cover glass or with a cover glass with a thickness of 0.17 mm.

0: The objective can be used without cover glass.

0.17: The objective can be used with a cover glass with a thickness 0.17 mm.

4 Mechanical tube length

The objective can be used with tubes of any length.

Info

Due to their short working distance, the following objectives have a resilient mount (sample protection):

- ▶ 40x
- ▶ 100x oil

3.4 Eyepiece

Purpose The eyepieces serve to observe the microscopic image.

Position The eyepieces are inserted into the tube.

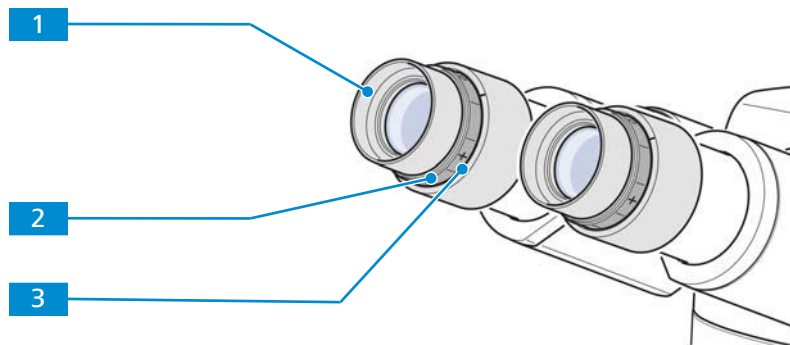


Fig. 5: Eyepiece

1 Foldover rubber eyecup

2 Focusing ring
for compensation of defective vision

3 Diopter scale
to facilitate finding the correct setting

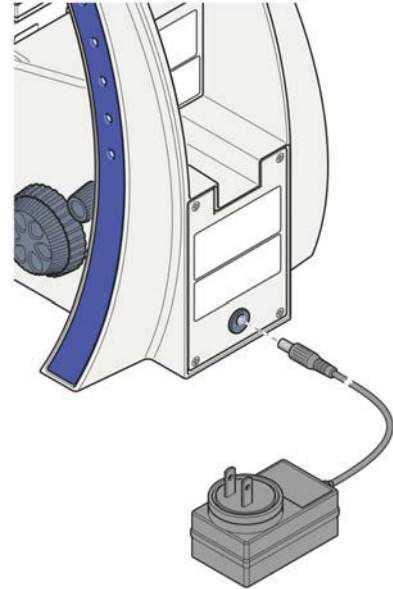
Function Both eyepieces are suitable for spectacle wearers. Additionally, they contain a focusing ring for compensation of defective vision. The provided diopter scale helps to find the correct setting.

4 Installation

Perform only the installation work described in this document. All other installation work not described below may only be carried out by an authorized ZEISS service representative.

4.1 Connecting the Microscope to the Mains Power Supply

- Procedure**
1. Remove the plug-in power unit from its storage fixture.
 2. Connect the plug-in power unit to the mains socket of the microscope.



3. If necessary, replace the installed power outlet adapter with one of the supplied country-specific adapters.
4. Connect the plug-in power unit to the mains power supply.

5 First Operating Steps

This chapter describes the switching on/off as well as the first operating steps with the Microscope.

Info

Additional information and detailed descriptions are available in the further applicable documents, or ask your ZEISS Sales & Service Partner.

Info

Further information on the software and its operation is available in the software's online help.

5.1 Prerequisites for Commissioning and Operation

The following basic prerequisites are necessary for commissioning and operation:

- The Instruction Manual was read prior to commissioning or operation and kept for further use.
- Chapter **Safety** is read and understood.
- Operator is acquainted with the general Windows®-based programs.
- If required: Basic training and safety briefing successfully completed.

5.2 Switching On the Microscope

Prerequisite ✓ *The microscope is connected to the mains [▶ 17].*

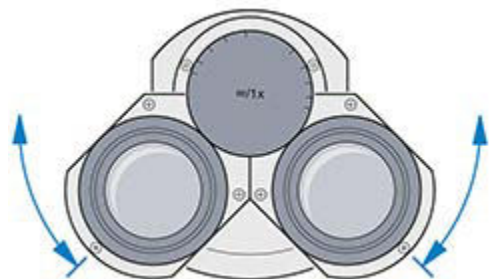
- Procedure**
1. Turn the light intensity knob.
 2. Adjust the illumination to the desired intensity.
 - The selected intensity is indicated by the light-emitting diodes on the stand.

5.3 Adjusting the Position of the Eyepieces

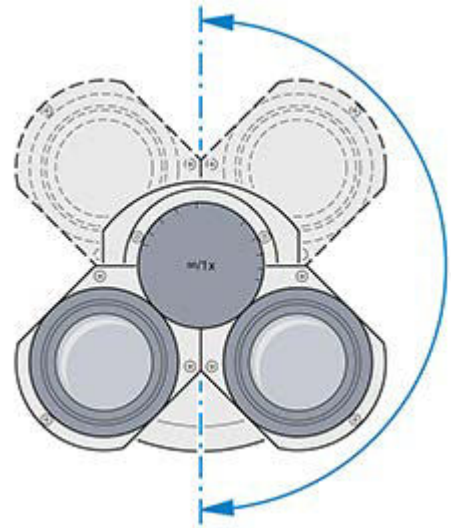
Info

The adjustment of the interpupillary distance is correct when you see only one round image while looking through the two eyepieces.

- Procedure**
1. Set the interpupillary distance by rotating the eyepiece tubes symmetrically toward or away from one another.

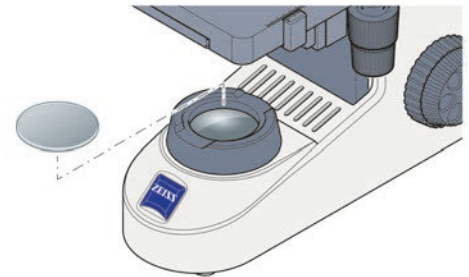


2. Set the viewing height by swivelling the eyepieces a full 180° upwards or downwards.



5.4 Installing the Blue Filter

- Procedure**
1. Put the blue filter onto the luminous-field diaphragm.



Proceed in the reverse order for removal.

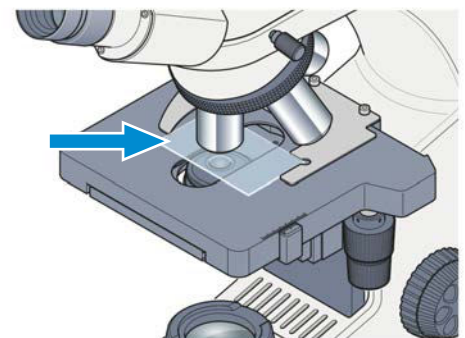
5.5 Acquiring an Image

Info

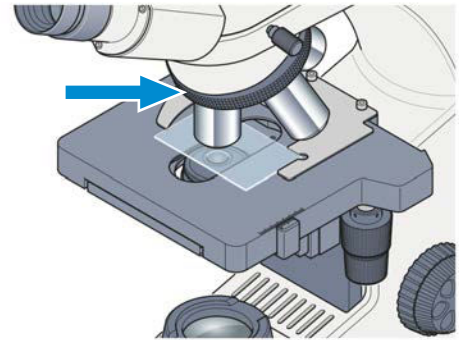
The microscope is supplied factory-adjusted

Prerequisite ✓ *The position of the eyepieces is set [▶ 18].*

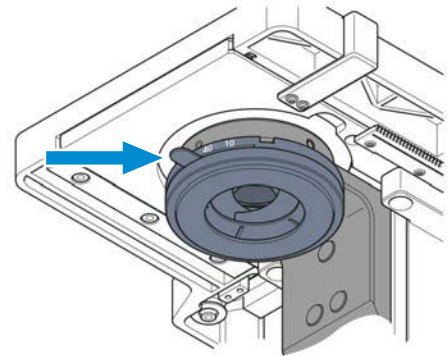
- Procedure**
1. Place the sample in the sample holder of the mechanical stage.



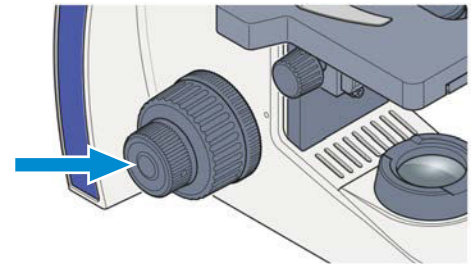
2. Select the desired magnification by placing the corresponding objective in the light path.



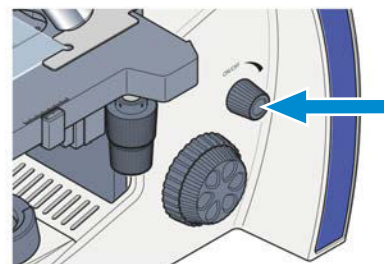
3. Set the control lever of the condenser aperture diaphragm to the value of the selected magnification (**10x**, **40x** or **100x**).



4. Focus on the sample using the focusing drive.



5. Use the rotary knob for illumination intensity to adjust the illumination to a comfortable setting.



5.6 Changing Objectives

NOTICE

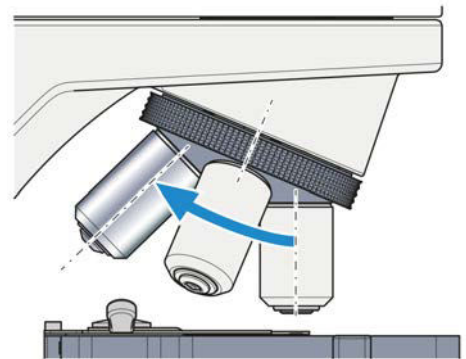
Dust-sensitive components

If unused nosepiece openings remain uncovered, particles may enter the Microscope and may damage its optics and mechanics permanently.

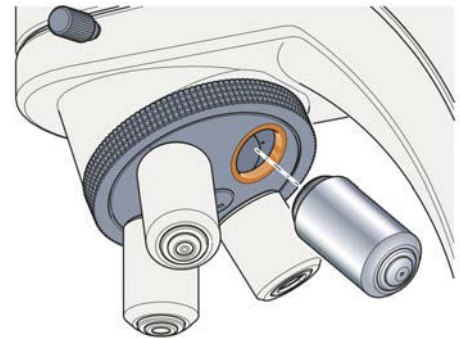
- ▶ Always close unused nosepiece openings with cover caps!

The objectives should be installed according to the direction shown in the figure in order of increasing magnification.

- Procedure**
1. Use the focus drive to fully lower the mechanical stage or the stage carrier.
 2. Remove the cover cap or screw out the present objective from the nosepiece's relevant opening.



3. Take the objective out of its case.
4. Carefully screw the objective into the opening. Make sure it engages properly in the nosepiece's thread.



5.7 Switching Off the Microscope

- Procedure**
1. Turn the light intensity knob.
 - The light-emitting diodes turn off.
 2. Cover the microscope with the dust cover.

6 Care and Cleaning Work

To ensure the best possible performance of the Microscope, maintenance must be performed on a regular basis. To maintain operational safety and reliability of the Microscope, we recommend entering into a **ZEISS Protect service agreement**. Please keep the service logs for your Microscope.

DANGER

Electric shock due to live parts

When the Microscope is still switched on, coming in contact with live parts can lead to electric shock or burn.

- ▶ Switch off Microscope prior to opening or cleaning.
- ▶ Disconnect live parts from the power supply.

NOTICE

Functional impairment due to dirt and moisture

Dirt, dust and moisture can impair the Microscope's functionality and can cause short-circuits.

- ▶ Use the dust protection cover if the Microscope is not used.
- ▶ The ventilation slots must be unobstructed at all times.
- ▶ Perform regular maintenance and cleaning according to the instructions in this document and according to the instructions in the applicable documents.
- ▶ Make sure that no cleaning liquid or moisture gets inside the Microscope.
- ▶ In case of damage, the affected parts of the Microscope must be taken out of operation.

6.1 Cleaning an Optical Surface

NOTICE

Damage of the lens due to improper cleaning

- ▶ Remove dust from the lens slowly and carefully.
- ▶ Remove dust on optical surfaces with a natural-hair brush or blow it off with a rubber bellows.

- Parts and Tools**
- 🔧 Clean cloth
 - 🔧 Cotton swab
 - 🔧 Optical cleaning solution (85% n-hexan and 15 vol% isopropyl alcohol (IPA))
 - 🔧 Lint-free cloth

- Procedure**
1. Moisten a cotton swab or a clean cloth with an optical cleaning solution, if necessary.
 2. Wipe optical surfaces in a circular motion towards the edge of the optics with slight pressure.



WRONG

CORRECT

3. Dry with a lint-free cloth.

6.2 Removing Water-soluble Contamination

- Parts and Tools**
- 🔧 Clean cloth
 - 🔧 Lint-free cloth

- Procedure**
1. Moisten a clean cloth with water.
 - A mild detergent may be added to the water (no solvent!).
 2. Wipe off the area with the cloth.
 3. Dry with a lint-free cloth.

7 Troubleshooting

The following table provides information about solving common problems.

Info

If you cannot solve the problem or if you are unsure about a certain technical difficulty, contact your local ZEISS service representative.

| Symptom | Cause | Measure |
|----------------------------------------------------------------------------|---------------------------------------------------------------------------------------|---------------------------------------------------------------------------------------------------------------------|
| The field of view is not completely visible | Nosepiece with objective is not completely switched into the click-stop position. | Switch the nosepiece with objective into the click-stop position. |
| | The filter is not placed correctly on the luminous-field diaphragm. | <i>Place the filter correctly</i> [▶ 19]. |
| Low resolving power and poor image contrast | The aperture diaphragm is not correctly adjusted. | Set the aperture diaphragm according to the 2/3 rule or the sample features. |
| | The condenser is not correctly focused. | Focus the condenser. |
| | A wrong cover glass thickness for transmitted light objectives is used. | Use standard cover glass with a thickness of 0.17 mm if objectives are corrected for 0.17 mm cover glass thickness. |
| | Immersion objectives are used with no or inappropriate immersion oil. | Use immersion oil 518 N or 518 F from ZEISS. |
| | The immersion oil contains air bubbles. | Repeat the oiling procedure with fresh oil. |
| | The front lens of a dry objective is soiled with immersion oil. | Clean the front lens of the dry objective. |
| | Dirt or dust on the optical surfaces of objectives, eyepieces, condensers or filters. | Clean the respective optical components. |
| Significant difference in the focus position after changing the objective. | The focusing eyepieces are not set correctly. | Set the focusing eyepieces to the corresponding defective vision. |
| The LED source does not light when turning the light intensity knob. | The power plug is not plugged into the power outlet. | <i>Connect the power plug to the power outlet</i> [▶ 17]. |
| The stage comes down by itself, the focus is unstable. | The adjusted torque of the coarse focusing drive is too low. | Contact the ZEISS service representative. |

8 Decommissioning and Disposal

This chapter contains information on the decommissioning and disposal of the Microscope and its expansions/components or accessories.

8.1 Decommissioning

If the Microscope is not used for an extended period such as several months, it should be shut down completely and secured against unauthorized access. Complete decommissioning of the Microscope should be executed by your ZEISS service representative.

DANGER

Electric shock due to live parts

When the Microscope is still switched on, coming in contact with live parts can lead to electric shock or burn.

- ▶ Switch off Microscope prior to opening or cleaning.
- ▶ Disconnect live parts from the power supply.

- Procedure**
1. Switch off the Microscope.
 2. Pull the mains plug.

8.2 Decontamination

A decontamination statement must be submitted before returning any used objects to the ZEISS location.

If reliable decontamination cannot be guaranteed, the hazard must be marked according to applicable regulations. In general, a well-visible warning sign must be affixed to the article itself and to the outside of the packaging, together with detailed information on the type of contamination.

8.3 Transport and Storage

The following regulations must be observed before and during transport:

- The boxes must be secured during transport.
 - Avoid rocking the boxes back and forth.
 - Note the weight information on the package and on the shipping document.
 - Where possible, the original packaging must be used for shipping or transport.
- Maximum shock resistance**
- Do not drop or bump the boxes during movement or storage. Any acceleration shall be < 10 g.
 - Evaluate packaging shock and tilting sensors on delivery and after internal transport.
- Allowable temperature**
- Allowable temperature during on-site storage:
- Between -10 °C and +40 °C
 - Relative humidity less than 80 % at +40 °C
- Allowable temperature during transport in packaging:
- Between -40 °C and +70 °C

Info

24 hours before installation of the Microscope it is required that the boxes be at recommended room temperature to avoid ingress of humidity, which is very harmful to optical paths, and to ensure effective stability of the Microscope during installation and testing.

8.4 Disposal

The Microscope and its components must not be disposed of as domestic waste or through municipal disposal companies. They must be disposed of in accordance with applicable regulations (WEEE Directive 2012/19/EU). ZEISS has implemented a system for the return and recycling of devices in member states of the European Union that ensures suitable reuse according to the EU Directives mentioned. The customer is responsible for decontamination.

Info

Detailed information on disposal and recycling is available from your ZEISS Sales & Service Partner.

9 Technical Data and Conformity

This chapter contains important technical data as well as information on the conformity.

9.1 Applicable Standards and Regulations

Observe all general and country-specific safety regulations as well as applicable environmental protection laws and regulations.

The Microscope is in compliance with the requirements of the following regulations and directives:

| | |
|-----------------------------------------|-----------------------------------------------------------------------------------------------------------------------------------------------------------------------|
| 2011/65/EU 2015/836/EU | RoHS Directive |
| 98/79/EC | IvD Directive |
| EN 55011 | Noise emission according to CISPR 11 Group 1 Class B intended use in industrial environment |
| EN 61010-1 and IEC 61010-2-101 | Safety requirements for electrical equipment for measurement, control, and laboratory use |
| DIN EN 61326-1 DIN EN 61326-2-6:2013 | Electrical equipment for measurement, control and laboratory use – EMC requirements / IVD requirements |
| EN 62471 | Photobiological safety of lamps and lamp systems Compliance with the limit values in accordance with EN 62471 Risk group 1 (Exempt risk group viewing from ocular) |

The Microscope and its accessories have been classified as instrument category 9 (laboratory equipment or comparable standard). It also complies, as applicable, with the EU-regulations 2011/65/EU (RoHS) and 2012/19/EU (WEEE).

European and International Directives / Standards: For more information on ISO and CSA certificates or CE Declarations of Conformity, contact your ZEISS Sales & Service Partner.

ZEISS works according to a certified Environment Management System according to ISO 14001. The Microscope was developed, tested and produced in accordance with the valid regulations and guidelines for environmental law of the European Union.

9.2 Performance Data and Specifications

The Microscope must only be operated in closed rooms. It is recommended to install the Microscope in a dark room where artificial illumination, sunlight or other light sources cannot interfere with image acquisition. The Microscope should not be installed near windows with direct sunlight or radiators. Compliance with the installation requirements of the Microscope and the availability of the requested supplies is the responsibility of the customer and has to be provided at the time of installation. Due to continuous development, we reserve the right to change specifications without notice.

The Microscope must be plugged into a properly installed power socket with protective earth contact using the supplied mains cable. The protective earth connection must not be impaired by the use of extension cables.

Info

Your ZEISS Sales & Service Partner will provide you with the detailed installation requirements.

| Weight and Sizes | Main Components | | | | |
|------------------------------|---------------------------------|--------------------------------------------|------------|-------------|-------------|
| | Main Components | Length (mm) | Width (mm) | Height (mm) | Weight (kg) |
| | Stand with binocular tube | 410 | 190 | 395 | 7.7 |
| Air Conditioning and Quality | Temperature range for operation | 5 to 40 °C | | | |
| | Relative humidity | < 80 % at 35 °C | | | |
| | Atmospheric pressure / altitude | 800 to 1060 hPa / ≤ 2000 m above sea level | | | |
| | Pollution degree | 2 | | | |
| Plug-in power unit | Nominal AC voltage | L/N 100 to 240 V ± 10 % | | | |
| | Nominal frequency | 50 / 60 Hz | | | |
| | Main Power Plug | Local mains plug will be supplied. | | | |
| | Power consumption | max. 0.8 A | | | |
| | Output | 12 V DC, max. 2.5 A | | | |
| Mains connection | Stand rated input | 12 V DC, 2.5 A | | | |
| | Protection class | IP20 (IEC 60529) | | | |
| | IEC earth class | Class III of IEC 61140 | | | |
| | Overvoltage Category | II | | | |

9.3 Performance Data and Specifications of the Optional Components

The customer is responsible for ensuring that the installation conditions for the microscope are met and that the required equipment is already available at the time of installation. Changes are reserved due to continuous technical developments.

| LED illumination | Main Components | |
|------------------|----------------------------------------------------|---------------------|
| | Main Components | Value |
| | LED | white light |
| | Peak wavelength | 440 nm |
| | LED class | 1 |
| | Constant, brightness-independent color temperature | 3200 K |
| | Homogeneous field illumination | 20 mm (diameter) |
| | Suitable for objectives with magnifications of | 4x to 100x |
| | Analogous brightness adjustment from | approx. 15 to 100 % |

| | | |
|----------------------------------|-----------------------------------------------|------------------------------------------|
| Stand with stage focusing | Coarse focusing drive | 42 mm / rev. |
| | Fine focusing drive | 0.2 mm / rev. |
| | Total stage lift | 15 mm |
| Nosepiece | Objective change | manual via quadruple objective nosepiece |
| | Objectives | infinity-corrected objective range |
| | Mounting thread | W 0.8 |
| Eyepieces | Tube size | 30 mm |
| | Field-of-view number | 20 |
| | Magnification | 10x |
| | Suitable for spectacle wearers | Br. |
| | Focusable | Foc. |
| Sample stage | Type | Rackless |
| | Dimensions (width x depth) | 140 x 140 mm |
| | Stage travel (X x Y) | 75 x 40 mm |
| | Coaxial drive | optional right or left |
| | Vernier scales | readable from the right |
| | Sample holder | with spring lever, left |
| Condenser | Abbe condenser 0.9; Fixed-Köhler | for V_{obj} 4x to 100x |
| Illuminating mirror | Plane surface and spherical surface with f' | 75 mm |
| Binocular tube 30°/20 | Maximum field-of-view number | 20 |
| | Interpupillary distance | adjustable from 50 to 75 mm |
| | Tube angle | 30° |
| | Viewing height | 380 to 415 mm |
| | Viewing port, tube factor | 1x |

10 Accessories and Optional System Expansions

Only the following accessories may be used with the Microscope as their safe use has been confirmed by ZEISS. Only original parts from ZEISS may be used. Check in advance whether your Microscope can be retrofitted with a system expansion.

After installation or conversion it must be carefully checked whether the Microscope and its system expansions/components are in a safe operational state and whether unused ports on the stand are closed. For details and safety measures please refer to the associated documents.

Info

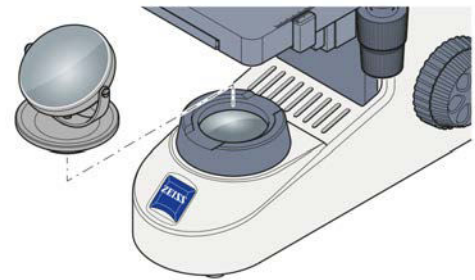
Additional information and detailed descriptions are available in the further applicable documents, or ask your ZEISS Sales & Service Partner.

| Name | Description/Info |
|------------|-------------------------------------------------------------------------------------------------------------------------------------------------------------------------------------------------------------------------------------------------------------------------------------------------------------------------------------------------------------------------------------------------------------------------------------------------------------------------------------------------------------------------------------------------------------------------------|
| Objectives | <p>The performance of the microscope objectives affects the image quality of your microscope like no other system component. Whether you work with histological samples, cell samples or entire organisms – the suitability of microscope objectives for your application depends on various factors.</p> <p>More detailed information on available and recommended objectives can be found at https://www.micro-shop.zeiss.com/de/de/shop/objectives or ask your ZEISS Sales & Service Partner.</p> |
| Mirror | When no power outlet is available, the mirror serves to illuminate the sample. |

10.1 Installing the Mirror

Function The mirror serves to illuminate the sample if no power outlet is available.

Procedure 1. Place the mirror onto the mount of the luminous-field diaphragm.



2. Rotate and incline the mirror until the daylight is reflected homogeneously into the light path.

Proceed in the reverse order for removal.

Glossary

NA

Numerical Aperture

User

Person examining a sample under the microscope.

ZEISS

ZEISS is an internationally leading technology enterprise operating in the fields of optics and optoelectronics. Further information about ZEISS can be found at www.zeiss.com.

ZEISS Sales & Service Partner

The Sales & Service Partner is generally in the field for customer support in a regional area and / or a clearly defined customer group.

ZEISS service representative

Specially trained service expert, either ZEISS staff or authorized service partner of ZEISS.

Index

A

| | |
|------------------------------|----|
| Accessories | 30 |
| Air Conditioning and Quality | 28 |

B

| | |
|-------------|----|
| Brightfield | 19 |
|-------------|----|

C

| | |
|------------------------------|----|
| Cleaning | |
| Water-soluble contaminations | 23 |
| Connecting the microscope | 17 |
| Contamination | 25 |
| Controls | 13 |

D

| | |
|-----------------|----|
| Decontamination | 25 |
| Disposal | 26 |

E

| | |
|----------|----|
| Eyepiece | 16 |
|----------|----|

F

| | |
|--------|----|
| Filter | 19 |
|--------|----|

G

| | |
|----------------------------|---|
| General Safety Information | 8 |
|----------------------------|---|

H

| | |
|------------|---|
| Hazards | 9 |
| Prevention | 9 |

I

| | |
|-------------------------|----|
| Image | 19 |
| Information labels | 11 |
| Installing | |
| Filter | 19 |
| Mirror | 30 |
| Objective | 21 |
| Intended Use | 8 |
| Interpupillary distance | 18 |

M

| | |
|------------------|----|
| Mains connection | 28 |
| Maintenance | 22 |
| Mirror | 30 |

N

| | |
|--------------------|----|
| Numerical aperture | 15 |
|--------------------|----|

O

| | |
|----------------------------|--------|
| Objective | 15, 21 |
| Operation | |
| Prerequisites | 18 |
| Optional system expansions | 30 |
| Installation | 30 |

P

| | |
|------------------|----|
| Performance data | 27 |
| Prerequisites | |
| Operation | 18 |

R

| | |
|---------------|---|
| Requirements | |
| for Operators | 8 |

S

| | |
|--------------------------|----|
| Safe Operating Condition | 9 |
| Safety | 8 |
| Shutdown | 25 |
| Switching off | 21 |
| Switching on | 18 |

T

| | |
|-------------------------------|----|
| Training | 8 |
| Transmitted-light brightfield | 19 |
| Troubleshooting | 24 |

V

| | |
|----------------|----|
| Viewing height | 19 |
|----------------|----|

W

| | |
|------------------|----|
| Warning | |
| labels | 10 |
| lights | 10 |
| Warning labels | 11 |
| Weight and Sizes | 28 |

Z

| | |
|--------------------------|----|
| ZEISS | |
| Portal | 7 |
| Service agreements | 22 |
| Zoom factor of objective | 15 |

内容目录

| | | |
|----------|------------------|-----------|
| 1 | 一般信息 | 35 |
| 1.1 | 文本惯例与链接类型 | 35 |
| 1.2 | 其它适用的文档 | 35 |
| 1.3 | 警告消息和附加信息的解释 | 36 |
| 1.4 | 联系方式 | 37 |
| 2 | 安全 | 38 |
| 2.1 | 指定的用途 | 38 |
| 2.2 | 常规安全信息 | 38 |
| 2.2.1 | 对操作人员的要求 | 38 |
| 2.2.2 | 安全的操作条件 | 38 |
| 2.3 | 预防危害 | 39 |
| 2.3.1 | 机械危险 | 39 |
| 2.3.2 | 电力危险 | 39 |
| 2.3.3 | 操作环境产生的危险 | 39 |
| 2.3.4 | 人体工程学危害 | 39 |
| 2.3.5 | 材料和物质产生的危害 | 39 |
| 2.4 | 警告标签和灯 | 40 |
| 2.4.1 | 警告和信息标签的含义 | 40 |
| 2.4.2 | 主机上的警告和信息标签 | 40 |
| 3 | 产品和功能介绍 | 41 |
| 3.1 | Primostar 1的主要组件 | 41 |
| 3.2 | 主机上的控件和指示灯 | 42 |
| 3.3 | 物镜 | 43 |
| 3.4 | 目镜 | 44 |
| 4 | 安装 | 45 |
| 4.1 | 将显微镜与主电源连接 | 45 |
| 5 | 第一步操作 | 46 |
| 5.1 | 调试和运行的前提条件 | 46 |
| 5.2 | 打开显微镜 | 46 |
| 5.3 | 调整目镜位置 | 46 |
| 5.4 | 安装蓝光滤镜 | 47 |
| 5.5 | 获取图像 | 47 |
| 5.6 | 更换物镜 | 49 |
| 5.7 | 关闭显微镜 | 49 |
| 6 | 保养和清洁工作 | 50 |
| 6.1 | 清洁光学仪器表面 | 50 |
| 6.2 | 清除水溶性脏污 | 51 |
| 7 | 故障排除 | 52 |

| | |
|---------------------------|-----------|
| 8 停止使用和弃置 | 53 |
| 8.1 停止使用 | 53 |
| 8.2 去污 | 53 |
| 8.3 运输和储存 | 53 |
| 8.4 弃置 | 54 |
| 9 技术数据与合规性 | 55 |
| 9.1 可用的标准与规定 | 55 |
| 9.2 性能数据与规格 | 55 |
| 9.3 可选组件的性能数据与规格 | 56 |
| 10 配件与选配系统扩展 | 58 |
| 10.1 安装反射镜 | 58 |
| 术语表 | 59 |
| 索引 | 60 |

1 一般信息

这份使用指南是 Primostar 1 的组成部分。下文中称作 显微镜。

使用指南中包含了运行和维护期间必须遵守的基本步骤和安全信息。为此，在调试设备之前，操作人员必须先仔细阅读使用指南，并确保在显微镜的使用地点随时可以查阅。本使用指南是显微镜的重要组成部分。因此，若显微镜再度出售，使用指南必须与显微镜放在一处，或转交给下一任物主。

1.1 文本惯例与链接类型

本说明采用下列文本惯例与链接类型：

| 文本惯例 | 含义 |
|-----------------------------------------------------------------------|------------------------------------------------|
| 点击 Start 。 按下 STANDBY 按钮。 按键盘上的 [Enter] 键。 | 控件的名称和重要的信息都用粗体字显示。 |
| 按下 <Ctrl+Alt+Del> | 同时按下几个键。 |
| 选择 Tools > Goto Control Panel > Airlock 。 | 跟踪软件的某一路径。 |
| 文本输入 | 用户输入的文本 |
| 编程和宏 | 在编程时输入的任何内容，包括：宏代码，关键词，数据类型，方法名称，变量，等级名称，界面名称。 |

表格 1: 文本惯例

| 链接类型 | 含义 |
|-----------------------------------------------------------------------------------------------------------|---------------|
| 见： 文本惯例与链接类型 [▶ 35] 。 | 更多涉及该主题的连接。 |
| https://www.zeiss.com/corporate/int/home.html | 连接到互联网上的某个网站。 |

表格 2: 链接类型

1.2 其它适用的文档

此外，请您注意下列文档：

- 手册和证书** 如果您需要查看各种手册、ISO 证书、CSA 证书和欧盟合格声明，请咨询您的 ZEISS 销售和服务伙伴。
- 当地和国家的健康与安全规定** 为了正确地使用显微镜并维持工作场所的安全，您必须遵守当地与国家的健康与职业安全方面的法规。如果这些法律规定与显微镜的安装要求所有冲突，请咨询您的 ZEISS 销售与维修合作伙伴。
- 安全数据表** 请仔细阅读随附的安全数据表的内容。必须遵守相应的安全数据表里注明的指南和指引。
- 系统和第三方组件，配件** 您可以用多种配置显微镜。您可以询问 ZEISS 销售和服务伙伴，了解单个组件、改进方式和配件的信息。另外，请阅读制造商提供的第三方文档。

1.3 警告消息和附加信息的解释

“危险”，“警告”，“小心”和“注意”都是用来判定人员受伤和财物损失危险和风险级别的标准信号词。不仅要遵守安全章节中的安全和警告消息，还须遵守其它章节中的所有安全和警告消息。如果不遵守这些安全指南和警告，可能造成人员受伤和财物损失，并导致质保失效。

下列警告消息表示本文档中所指的危险情况和危害后果。

危险

危险类型和危险源

“危险”表示紧急的危险状况，如果无法避免，可能导致重伤甚至死亡。

警告

危险类型和危险源

“警告”表示潜在的危险状况，如果无法避免，可能导致重伤甚至死亡。

注意

危险类型和危险源

“小心”表示潜在的危险状况，如果无法避免，可能导致轻度受伤或中等程度受伤。

公告

危险类型和危险源

“注意”表示潜在的危险状况，如果无法避免，可能导致财物损坏。

提示信息

提供了附加的信息或解释，帮助用户更好地理解这份使用指南的内容。

1.4 联系方式

如果您有任何疑问或遇到问题，请联系您当地的 ZEISS 销售和服务伙伴，或者下列地址之一：

总部

电话： +49 1803 33 63 34

传真： +49 3641 64 3439

电子邮件： info.microscopy.de@zeiss.com

课程与培训

电子邮件： courses.microscopy.de@zeiss.com

ZEISS门户网站

ZEISS门户网站 (<https://portal.zeiss.com/>) 上提供了各种服务，可简化使用ZEISS系统（机器和软件）的日常工作。门户网站会不断改进和扩展，以更好地满足您的需求和要求。

ZEISS 销售和服务伙伴

您可以找到您所在地区的 ZEISS 销售和服务伙伴：<https://www.zeiss.de/mikroskopie/website/forms/sales-and-service-contacts.html>.

服务（德国）

电话： +49 7364 20 3800

传真： +49 7364 20 3226

电子邮件： service.microscopy.de@zeiss.com

2 安全

这一章包含了安全工作操作的常规要求。所有使用、调试、安装或维护 显微镜 的人员必须阅读并遵守这些常规安全指南。了解基本的安全指南和要求，是安全、无故障操作设备的前提条件。只有在遵守指定的用途使用设备的前提下， 显微镜 才能够安全运行。

如果任何作业带有残余风险，那么将在这份文档的相关部分特别标明。处理时必须特别小心的组件都带有警告标签。必须始终遵循这些警告提示。

2.1 指定的用途

Primostar 1是一款专为教育和常规用途而设计的显微镜。

典型应用包括：

- 教育（教学、研究）
- 实验室
- 医疗实践

不正确的使用方式可轻易导致 显微镜 的功能故障，甚至损坏仪器。因操作不当、疏忽大意或擅自干预（尤其拆除、篡改或更换显微镜的零件）而造成的损坏，制造商概不负责。不可以使用未经 ZEISS 明确认可的第三方设备或组件。

2.2 常规安全信息

在调试之前，必须仔细阅读这份 使用指南 之前，以确保长期安全运行。请特别注意所有列举的安全说明。请确保：

- 操作人员已阅读并理解了本使用指南及相关文档，尤其是所有安全规则与指南，并严格执行。
- 必须遵守当地和国家的安全与事故预防法规，以及您所在国家适用的法律。
- 这份 使用指南 总是与 显微镜 存放在一处。
- 显微镜 总是完好无损，功能正常。
- 将 显微镜 妥善保管，防止未获授权的人员有机会使用。
- 维护和修理工作、组件翻新、拆卸或更换及本使用指南中未提及的显微镜仅可由制造商 ZEISS或由ZEISS明确授权的人员来完成。

2.2.1 对操作人员的要求

仅获得授权和经过培训的人员可操作和维护显微镜、组件和配件。显微镜 的使用方法必须完全遵照 使用指南 里的说明。如果没有按照说明的方式使用 显微镜 ，那么可能无法保障用户的安全，和/或导致 显微镜 损坏。如果在未授权的情况下干预设备，或者超出了指定的用途范围，那么您立刻失去所有的索赔权利。在使用和维护 显微镜 时，必须时刻遵守该地区的健康防护和事故预防规定。

培训 获得授权的ZEISS人员会提供关于显微镜操作的基本培训。同时，还会提供关于设备安全及可由操作人员完成的维护工作的信息。ZEISS 将对培训做好记录，并在结束时取得操作人员的确认。

根据您的需要，我们还可以提供专门的应用培训。您可以在这里找到当前的培训日期，附加信息和注册表格：<https://www.zeiss.com/microscopy/int/service-support/training-and-education.html>。

2.2.2 安全的操作条件

如果出现影响安全并改变操作行为的情况，须立刻关闭显微镜，并通知 ZEISS 服务代表。使用显微镜前，确保 蔡司服务代表正确完成了安装且满足所有操作条件。使用显微镜前，确保 蔡司服务代表正确完成了安装且符合所有操作条件。

- 完整阅读并理解显微镜随附文件后，再操作显微镜。
- 确保安装所有防护盖板且所有警告标签均可用且清晰可读。

- 确保具备相应条件且采取措施，防止工作场所静电电荷积聚。

2.3 预防危害

本部分总结了可能产生的危害，以及推荐的安全预防措施。如果不遵守下列安全指南，可能导致人员受伤和财产损失。

2.3.1 机械危险

运输造成的财产损失 如果显微镜的处理和运输方式不当，则有可能导致人员受伤以及财产损失。

- 在适当情况下，运送显微镜时必须使用把手。另外，还可用一只手握住显微镜，用另一只手抬起底板。

2.3.2 电力危险

电压危险 如果接触带电零件，有触电的危险。

请务必使用ZEISS提供的电源适配器。若使用不当的电源适配器，ZEISS将无法保证显微镜的电气安全和功能。

- 关闭显微镜。
- 清洁前要断开电源。
- 设置和操作显微镜，以方便靠近连接器。

2.3.3 操作环境产生的危险

污垢，灰尘和潮湿 污垢，灰尘和潮湿会影响显微镜的功能。

- 不使用显微镜时，请将它关闭，并盖上防尘罩。
- 没有用过的开口/端口要一直盖住。
- 按照这份文档里的指南，定期做好维护和清洁工作。
- 请确保不会有清洁剂或湿气渗入显微镜内部。
- 确保电气部件不接触湿气。
- 永远不要把显微镜暴露在不允许的气候环境里（高温度，高湿度）。

2.3.4 人体工程学危害

预防肌肉骨骼疾病 肌肉骨骼疾病(MSD)会累及肌肉、神经、血管、韧带和肌腱。许多不同行业和职业的工人在工作中都会受到各种危险因素的影响，例如举起重物、弯腰、双手举过头顶、推拉重物、以不舒服的姿势工作或重复执行相同或类似的工作任务等。雇主有责任为工人提供安全健康的工作场所。

2.3.5 材料和物质产生的危害

感染的危险 直接接触目镜可能会有感染细菌和病毒的风险。

- 使用个人目镜或眼罩可降低此类风险。如果目镜需经常消毒，ZEISS 建议使用不带眼罩的目镜。
- 为避免感染，强烈建议使用个人防护装备 (PPE)，例如操作、清洁和去污时戴上手套。如有必要，可用酒精等消毒一次性手套，或经常更换手套，最大程度降低污染的风险。

耗材危害 耗材和清洁剂处理不当可能导致财产损失或皮肤和眼睛受伤。使用未经ZEISS批准的耗材可能导致财产损失。请咨询ZEISS销售和服务伙伴了解可以订购哪些耗材及如何处理。

消毒剂危害 确保密闭房间通风良好。在通风不良的情况下，应穿戴呼吸防护装备。清除任何有害残留物。设备消毒后，尤其是目镜消毒后，要使其彻底变干。不要吸入蒸汽。在使用消毒剂时，切勿吃东西、喝水或吸烟。避免接触眼睛和皮肤。脱掉被污染的衣物，必须在洗净后方可再穿。

眼睛、皮肤、呼吸道刺激 接触化学物质及其气溶胶可刺激眼睛、皮肤和呼吸道。穿戴适当的个人防护装备(PPE)。

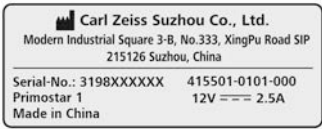

2.4 警告标签和灯

显微镜上所有可能造成危险的显微镜部件都额外贴有警告标签（象形图）。警告标签注明可能出现的危险，构成使用指南的一部分。标签须保持干净、清晰可读。

检查所有强制性警告标签的可用性、易读性和准确性。如果警告标签受损或字迹模糊，须及时更换。务必始终遵守整个显微镜上所有警告标签给出的警示。

2.4.1 警告和信息标签的含义

每个警告标签的含义解释如下：

| 位置 | 符号 | 说明 |
|----|-------------------------------------------------------------------------------------|------------------------------------------------------------------------------------------------------|
| 1 |  | 显微镜型号标签 |
| 2 |  | 下方有高温表面 只能在稳定的、牢固的、平滑且不易燃的表面上操作显微镜。 |
| 3 |  | 显微镜型号标签 |
| 4 |  | Primostar 1 欧盟进口商 Carl Zeiss Microscopy GmbH Carl-Zeiss-Promenade 10 07745 Jena, Germany |

2.4.2 主机上的警告和信息标签

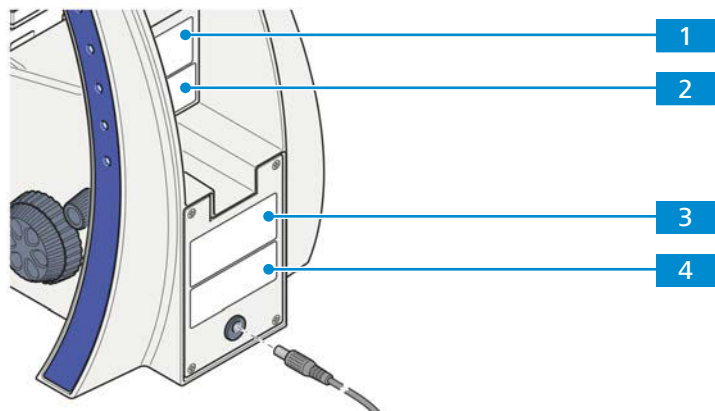


插图 1: 警告和信息标签的位置

3 产品和功能介绍

Primostar 1是一款结构紧凑、占用空间较小的透射光显微镜。

Primostar 1是一款专为教育和常规用途而研发的显微镜。此款显微镜持久耐用。

3.1 Primostar 1的主要组件

Primostar 1 主要包括下述部件

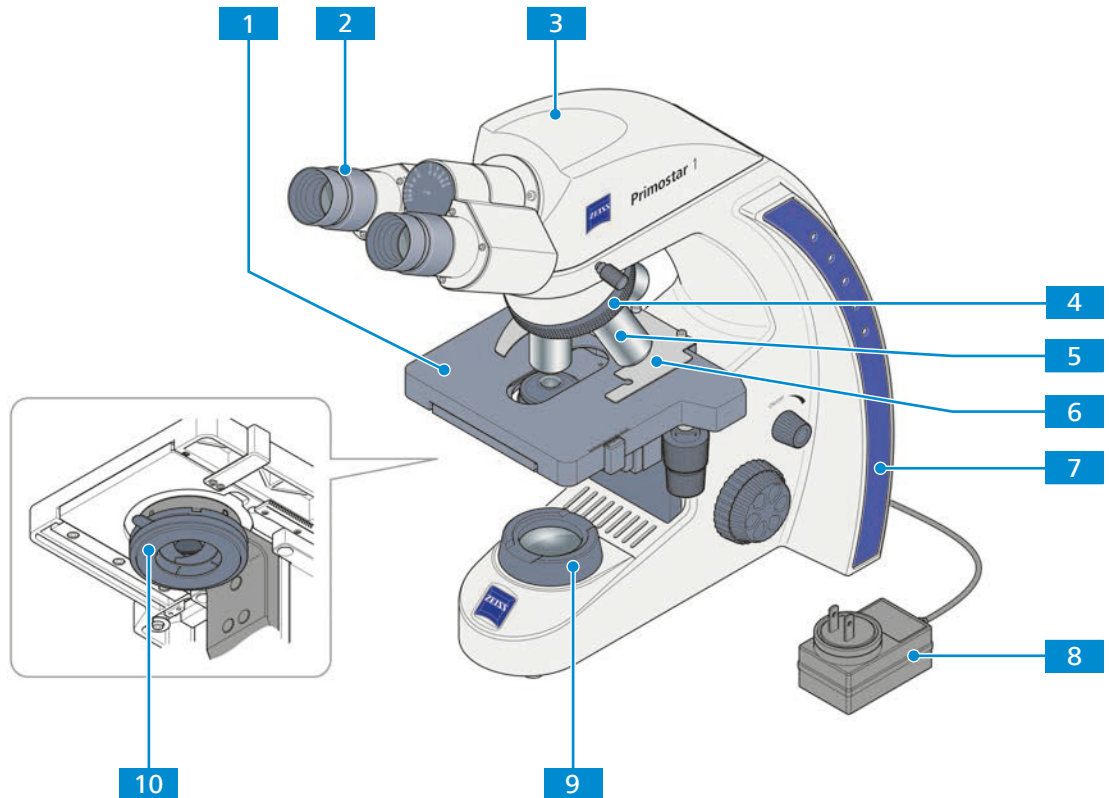


插图 2: Primostar 1 主要部件

- | | | | |
|---|-----------|----|---------------|
| 1 | 显微镜载物台 | 2 | 目镜 |
| 3 | 镜筒 | 4 | 物镜盘 |
| 5 | 物镜 | 6 | 样品架 |
| 7 | 主机架 | 8 | 供电单元 |
| 9 | 透射光照度调节单元 | 10 | 阿贝聚光镜，固定式柯勒照明 |

3.2 主机上的控件和指示灯

目的 主机架上的控件用来控制显微镜的主要功能。

位置 主机架的右侧装有下列控件。

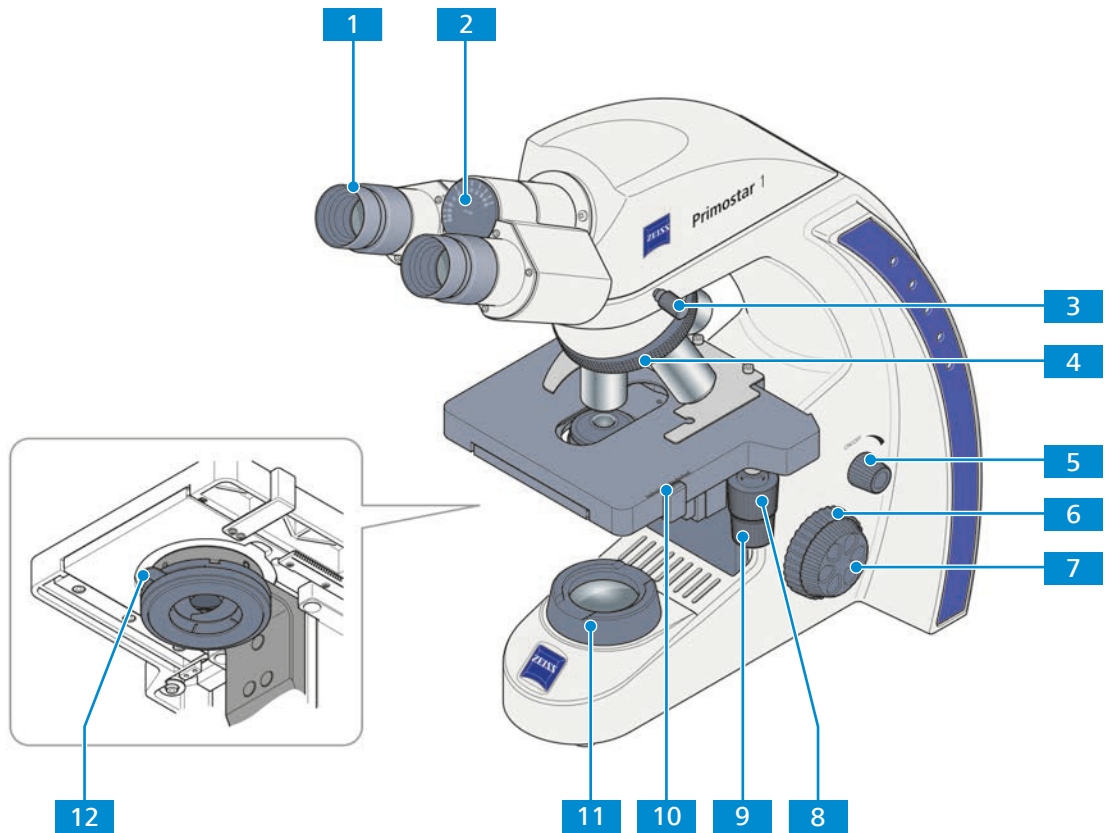


插图 3: 主机架右侧的控件

- | | |
|--------------------------|-----------------------------|
| 1 目镜（可调节） | 2 瞳孔间距指示器 |
| 3 观察筒固定螺旋 | 4 用于转动物镜盘的圆形旋环 |
| 5 光强度旋钮 | 6 粗准焦螺旋（右侧） |
| 7 细准焦螺旋（右侧） | 8 无机架载物台 Y 行程控制旋钮 |
| 9 无机架载物台 X 行程控制旋钮 | 10 游标和刻度，显示载物台的 Y 位置 |
| 11 透射光照度调节单元 | 12 用于调节聚光镜孔径光阑的控制拨片 |

位置 主机架的左侧装有下列控件。

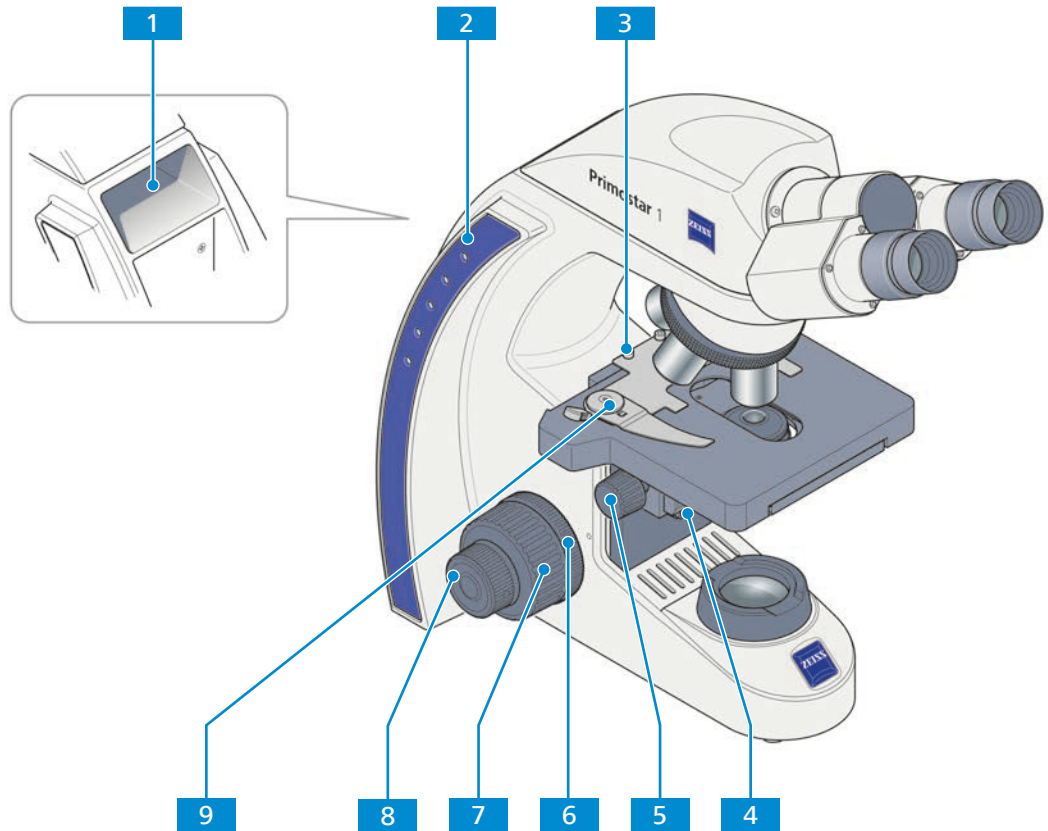
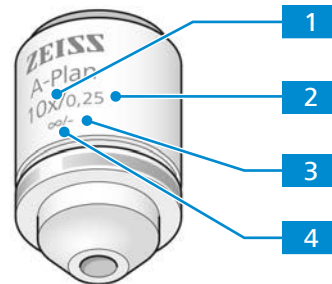


插图 4: 主机架左侧的控件

- | | |
|---------------------------|----------------------------|
| 1 手提把手 | 2 透射光照度指示器 |
| 3 样品架的夹紧螺钉 | 4 用于调低聚光镜的固定螺钉 |
| 5 用于调节聚光镜高度的圆形旋环 | 6 用于调节粗准焦螺旋平滑度的圆形旋环 |
| 7 粗准焦螺旋（左侧） | 8 细准焦螺旋（左侧） |
| 9 样品架的控制拨片（用于固定样品） | |

3.3 物镜

物镜的功能特点已在相应的标签上注明，例如 A-Plan 10x/0.25 ∞/-。



1 物镜放大倍率

放大倍数规定了物镜的放大倍率。放大倍率越大，越能分辨样品上更加细微的特征。物镜的彩色环也标示着物镜的放大倍数，见 ZEISS 颜色代码。
物镜的放大倍数乘以目镜的放大倍数，就是整体放大倍数。

2 数值孔径 (NA)

数值孔径乘以1000，表示有用放大倍数的最大值——超出这一极限，则不会有更高的分辨率。

3 可用的盖玻片厚度

-：物镜可不搭配盖玻片，或可搭配厚度为0.17 mm的盖玻片。

0：物镜可不搭配盖玻片。

0.17：物镜可搭配厚度为0.17 mm的盖玻片。

4 机械镜筒长度

物镜可以搭配任何长度的镜筒。

提示信息

由于工作距离短，下列物镜配有弹性安装件（用于保护样品）：

- ▶ 40x
- ▶ 100x oil

3.4 目镜

目的 目镜用来观察显微镜图像。

位置 目镜插在镜筒里。

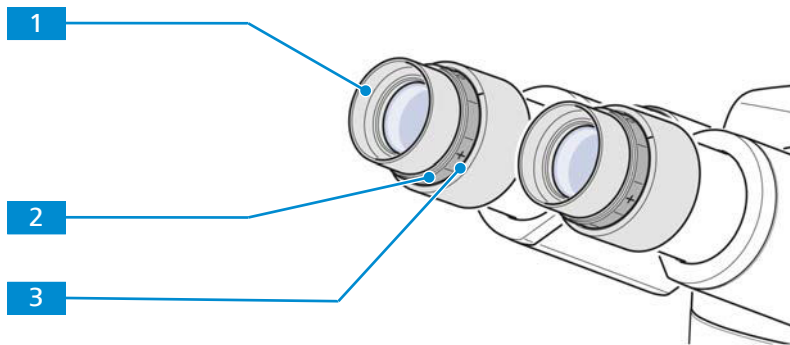


插图 5: 目镜

1 翻转式橡胶眼杯

2 调焦环
用来补偿视觉障碍

3 照准仪分划
用来寻找正确的设置

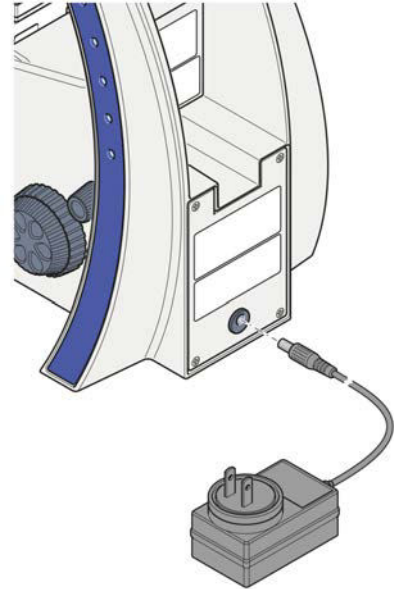
功能 两种目镜都适合佩带眼镜的人士。此外，它们还包含了一个调焦环，用来补偿视觉障碍。借助照准仪分划，可以找出正确的设置。

4 安装

只能执行本文档里介绍的维护工作。下文中没有介绍的所有其它安装任务，只能由获得授权的 ZEISS 服务代表来完成。

4.1 将显微镜与主电源连接

- 流程**
1. 从插入式电源设备的储藏夹中将其取出。
 2. 将插入式电源设备连接到显微镜的主电源插口。



3. 如有必要，可用配套提供的其中一个特定国家/地区专用适配器更换已安装的电源插座适配器。
4. 将插入式电源设备连接到主电源。

5 第一步操作

本章介绍了显微镜的开/关机及首次运行的操作步骤。

提示信息

其它适用的文档里包含了附加信息与详细说明。您也可以询问您的 ZEISS 销售和服务伙伴。

提示信息

您可以在软件的“在线帮助”里查找更多关于软件与其操作的信息。

5.1 调试和运行的前提条件

调试和操作须满足以下基本前提条件：

- 调试或操作前已阅读使用指南，且保存好文件，方便将来参阅。
- 已阅读并理解安全章节内容。
- 操作员熟悉通用的 Windows® 程序。
- 如要求：须顺利完成基础培训与安全培训。

5.2 打开显微镜

前提 ✓ 将显微镜连接到主电源 [▶45]。

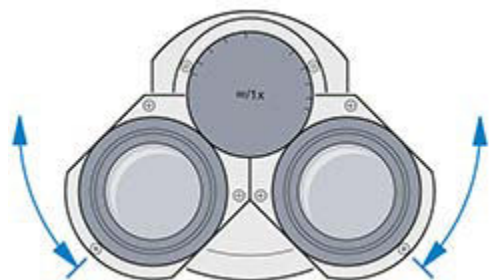
- 流程**
1. 转动照明强度旋钮。
 2. 将照明调节到所需的强度。
→ 根据主机上发光二极管的指示选择照明强度。

5.3 调整目镜位置

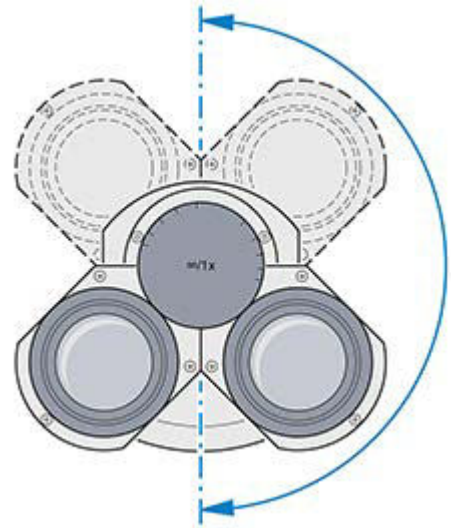
提示信息

当您透过两个目镜只能看到一幅圆形图像时，说明瞳孔间距的调节是正确的。

- 流程**
1. 通过对称旋转目镜，使其彼此靠近或远离，可设置瞳孔间距。

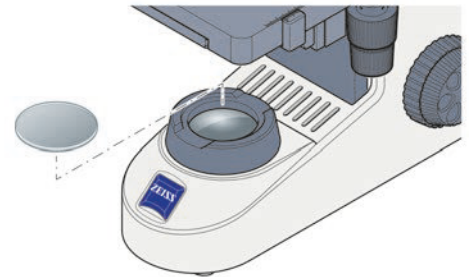


2. 通过向上或向下旋转目镜180° 来设置查看高度。



5.4 安装蓝光滤镜

- 流程** 1. 将蓝光滤镜放在视场光阑上。



拆卸时可按照相反的顺序进行操作。

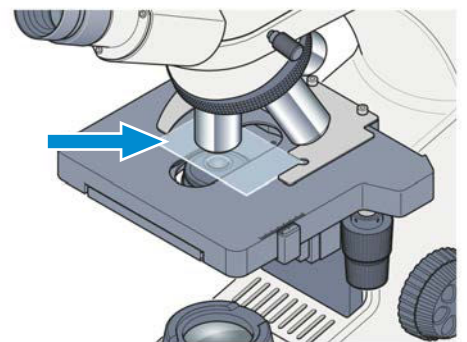
5.5 获取图像

提示信息

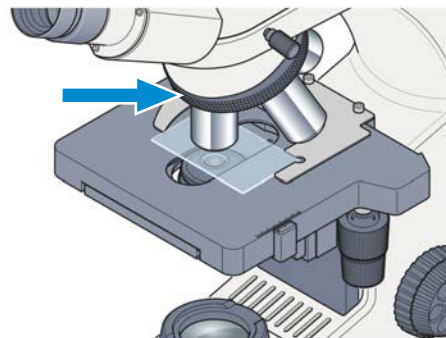
显微镜出厂前已经过调节

- 前提** ✓ 设置目镜位置 [▶ 46]。

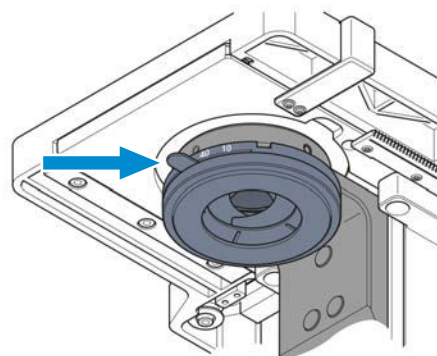
- 流程** 1. 把样品放在机械载物台的样品架上。



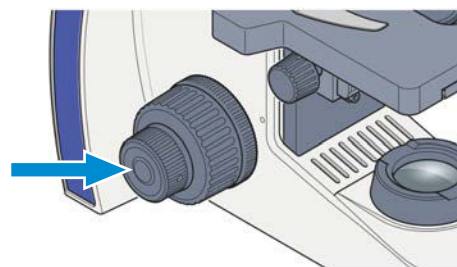
2. 把相应的物镜旋转到光路上，从而选定所需的放大倍数。



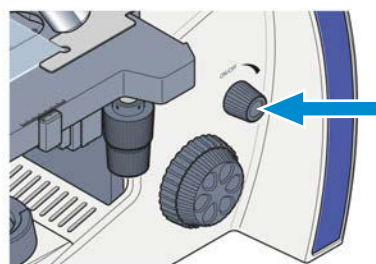
3. 把聚光镜孔径光阑的控制拨片设置到选定的放大倍数值（10x、40x 或 100x）。



4. 通过准焦螺旋聚焦样品。



5. 使用照度旋钮，把照度调节至舒适的设置。



5.6 更换物镜

公告

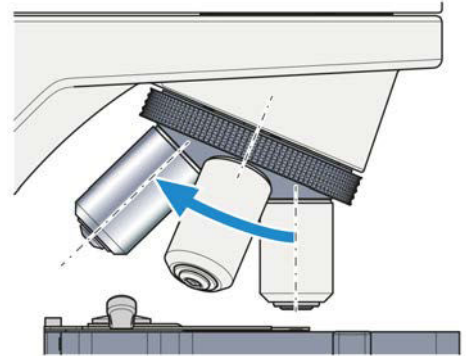
对粉尘敏感的组件

若物镜盘开口在不使用时未封盖，粉尘颗粒会进入显微镜，并因此而永久损坏其光学和机械性能。

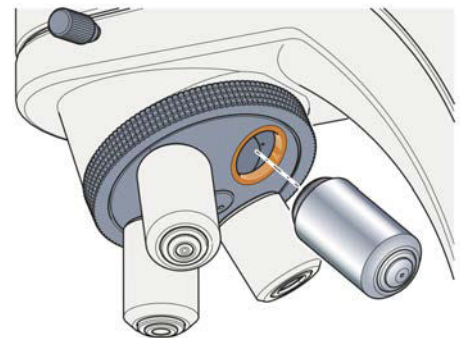
- ▶ 若物镜盘不使用，要始终将开口盖上盖帽！

应按图中所示方向安装物镜，以增加放大倍率。

- 流程**
1. 利用调焦驱动装置完全降下机械台或样品台托架。
 2. 取下盖帽或从物镜盘的相关开口处拧出当前物镜。



3. 从外壳中取出物镜。
4. 将物镜从开口处小心拧入。确保物镜与物镜盘的螺纹紧密接合。



5.7 关闭显微镜

- 流程**
1. 转动照明强度旋钮。
→ 发光二极管熄灭。
 2. 给显微镜盖上防尘罩。

6 保养和清洁工作

为了确保显微镜实现最佳性能，必须定期执行维护工作。为了维持显微镜的运行安全性与可靠性，我们建议您签订 ZEISS Protect 维护协议。请为您的显微镜保管好维修日志。

⚠ 危险

带电的零件造成触电

当显微镜仍处于接通状态时，如果接触带电的零件，可能导致触电或灼伤。

- ▶ 打开或清洁显微镜之前，必须切断它的电源。
- ▶ 断开带电零件与电源设备之间的连接。

公告

污垢和潮湿会引起功能故障

污垢、灰尘和潮湿会影响显微镜的功能，并导致短路。

- ▶ 不使用显微镜时，请给它盖上防尘罩。
- ▶ 任何时候，必须保障通风槽不被堵塞。
- ▶ 请您按照本文档和适用文档里的指示，定期执行维护与清洁工作。
- ▶ 请确保不会有清洁剂或湿气渗入显微镜内部。
- ▶ 如果发生故障，必须立刻停止受到影响的显微镜零件的运行。

6.1 清洁光学仪器表面

公告

不正确的清洁方式会损坏透镜

- ▶ 小心、缓慢地清除透镜上的灰尘。
- ▶ 用自然毛刷擦除光学仪器表面上的灰尘，或者用橡胶伸缩管吹去灰尘。

- 零件与工具**
- 🔧 无尘布
 - 🔧 棉拭子
 - 🔧 光学仪器清洁溶剂（85%的正己烷和15vol%的异丙醇(IPA)）
 - 🔧 无尘布

- 流程**
1. 如有必要，可将棉拭子或无尘布在光学仪器清洁溶剂中沾湿。
 2. 用划圈的方式由中间向边缘擦拭光学仪器表面，只能用少许的力。



错误

正确

3. 用无绒布擦干。

6.2 清除水溶性脏污

零件与工具  无尘布
 无尘布

- 流程**
1. 用干净的布蘸水。
→ 可以在水里添加温和的清洁剂（不是溶剂！）。
 2. 用布擦拭表面。
 3. 用无绒布擦干。

7 故障排除

下表提供了解决常见问题的信息。

提示信息

如果您无法解决问题，或者您对某些技术困难没有完全的把握，请联系您当地的 ZEISS 维修服务代表。

| 症状 | 原因 | 措施 |
|---------------------|-------------------------|--------------------------------------------|
| 视场不是完全可见 | 带有物镜的物镜盘未完全卡入锁定位置。 | 将带有物镜的物镜盘卡入锁定位置。 |
| | 滤镜在视场光阑中所放的位置不正确。 | <i>正确放置滤镜</i> [▶ 47]。 |
| 分辨率低且图像对比度差 | 未正确调节孔径光阑。 | 根据2/3法则或样品特征设置孔径光阑。 |
| | 聚光镜未正确聚焦。 | 聚焦聚光镜。 |
| | 所用的透射光物镜盖玻片厚度不当。 | 若针对0.17 mm厚度的盖玻片校正了物镜，可使用厚度为0.17 mm的标准盖玻片。 |
| | 油浸物镜未使用浸油或使用了不当的浸油。 | 使用ZEISS 518 N或518 009F型浸油。 |
| | 浸油中含有气泡。 | 用新油重复注油程序。 |
| | 干物镜的前镜片沾染了浸油。 | 清洁干物镜的前镜片。 |
| | 物镜、目镜、聚光镜或滤镜的表面上有污垢或灰尘。 | 清洁相应的光学组件。 |
| 更换物镜后，焦点位置存在显著差异。 | 调焦目镜的设置不正确。 | 根据相应的视觉缺陷，设置调焦目镜。 |
| 转动照明强度旋钮时，LED光源未亮起。 | 电源插头未插入电源插座中。 | <i>将电源插头插入电源插座中</i> [▶ 45]。 |
| 样品台自行下降，焦点不稳定。 | 粗调焦驱动装置调节后的扭矩太低。 | 请联系ZEISS服务代表。 |

8 停止使用和弃置

本章包含报废和弃置显微镜及其扩展部件/组件或配件的信息。

8.1 停止使用

如果长时间（比如几个月）不用显微镜，那么应该将它彻底关闭并封锁，防止没有授权的人员使用。完整的显微镜停用工作应该由您的 ZEISS 服务代表来完成。

危险

带电的零件造成触电

当显微镜仍处于接通状态时，如果接触带电的零件，可能导致触电或灼伤。

- ▶ 打开或清洁显微镜之前，必须切断它的电源。
- ▶ 断开带电零件与电源设备之间的连接。

- 流程**
1. 关闭显微镜。
 2. 拉下电源插头。

8.2 去污

在将任何物体归还给 ZEISS 回收站之前，必须先提交去污声明。

如果无法可靠地去污，那么必须根据适用的规定，做好危险标记。一般来说，必须在物品上和包装外面贴好清晰可见的警告符号，并详细说明此类污染。

8.3 运输和储存

运输前和运输期间都必须遵守下列规定：

- 包装箱在运输过程中必须固定妥当。
- 避免箱子前后摇动。
- 请注意运输文档上提及的重量信息，以及包装上显示的重量信息。
- 如果可能的话，发货或运输时应该使用原厂包装。

- 最大抗震性能**
- 在移动或储存期间，不要让包装盒掉落或颠簸。任何时候，加速度均应小于10 g。
 - 在交货时、内部输送之后、应该评估包装冲击与倾斜传感器。

允许的温度 在安装地点贮藏工作站期间允许的温度：

- -10 °C至+40 °C之间
- 在+40 °C下，相对湿度小于80%

带包装运输期间容许的温度：

- -40 °C至+70 °C之间

提示信息

在显微镜安装之前24小时，要求包装箱的温度符合建议的室内温度，防止潮湿渗入（对光路危害很大），并且必须确保在显微镜安装和测试期间能保持足够的平稳。

8.4 弃置

不可以把显微镜与其组件当作生活垃圾处理，也不能交给城市废品处理公司。必须按照适用的规定（WEEE 指令 2012/19/EU）的规定，正确地丢弃它们。ZEISS 施行了一套在欧盟成员国内归还和回收设备的系统，确保按照欧盟指令的要求，适当地重复使用。客户负责去污。

提示信息

请询问您的 ZEISS 销售和服务伙伴，了解有关弃置与回收的详细信息。

9 技术数据与合规性

这一章包含了重要的技术数据与合规信息。

9.1 可用的标准与规定

遵守所有一般安全规定、特定国家的安全规定、以及适用的环保法律法规。

显微镜 符合下列规定和指令的要求：

| | |
|-----------------------------------------|----------------------------------------------------------|
| 2011/65/EU 2015/836/EU | RoHS 指令 |
| 98/79/EC | IvD 指令 |
| EN 55011 | 噪音排放符合 CISPR 11 第 1 组 B 类 工业环境中的预期用途要求 |
| EN 61010-1 和 IEC 61010-2-101 | 测量、控制与实验室用电气设备的安全要求 |
| DIN EN 61326-1 DIN EN 61326-2-6:2013 | 测量、控制与实验室用电气设备 - EMC 要求/IVD 要求 |
| EN 62471 | 灯和灯系统的光生物安全 符合 EN 62471 风险组 1 的限值（从目镜观察的 风险组不包含在内） |

显微镜及其配件被归类为9类仪器（实验室设备或同类标准件）。同时，还符合欧盟条例 2011/65/EU (RoHS) 和 2012/19/EU (WEEE)（如适用）。

欧洲和国际指令/标准：如需了解关于 ISO 和 CSA 证书或 CE 合格声明的更多信息，请联系 ZEISS 销售和服务伙伴。

ZEISS 按照 ISO 14001 的标准，使用已认证的环境管理系统。显微镜根据欧盟环境法的有效条例和指南进行开发、测试和生产。

9.2 性能数据与规格

显微镜 只能在封闭的室内运行。我们建议您在昏暗的室内安装 显微镜 ，这样可以防止人工照明、日光或其它光源干扰图像获取。为了避免日光直射，不可以把 显微镜 安装在窗口或散热器附近。客户有责任遵守 显微镜 的安装要求，并确保必须的物资供给。物资供给必须在安装时就已到位。由于技术不断发展，我们保留更改产品规格而不另行通知的权利。

必须用附带的电源线，将 显微镜 插入正确安装的、带有接地保护的插座。延长电缆的使用不得损害接地连接。

提示信息

您的 ZEISS 销售和服务伙伴 将为您提供详细的安装要求。

重量和尺寸

| 主要组件 | 长 (mm) | 宽 (mm) | 高 (mm) | 重量 (kg) |
|-----------|--------|--------|--------|---------|
| 带有双目镜筒的主机 | 410 | 190 | 395 | 7.7 |

| | | |
|----------------|--------------|--------------------------------|
| 空调和质量 | 运行温度范围 | 5 到 40 ° C |
| | 相对湿度 | 在35 ° C下, 小于80% |
| | 大气压力 / 海拔 | 800至1060 hPa /海拔高度低于2000 m (含) |
| | 污染程度 | 2 |
| 插入式电源设备 | 额定交流 (AC) 电压 | L/N 100至240 V ± 10% |
| | 标称频率 | 50 / 60 Hz |
| | 主电源插头 | 提供当地的电源插头。 |
| | 电源消耗 | 最大0.8 A |
| | 输出 | 12 V DC, 最大2.5 A |
| 电源连接 | 主机额定输入 | 12 V DC, 2.5 A |
| | 防护等级 | IP20 (IEC 60529) |
| | IEC接地等级 | IEC 61140 III级 |
| | 过压类别 | II |

9.3 可选组件的性能数据与规格

客户有责任确保符合显微镜的安装条件要求, 并确保在安装时, 必须的物资供给都已到位。由于技术持续进步, 我们保留更改的权利。

| | | |
|--------------------|---------------|------------|
| LED 照明 | LED | 白光 |
| | 峰值波长 | 440 nm |
| | LED种类 | 1 |
| | 恒定色温, 不受制于亮度 | 3200 % |
| | 均匀的区域照明 | 20 mm (直径) |
| | 适合的物镜放大倍数 | 4x 至 100x |
| | 类似的亮度调节, 调节范围 | 约15%至100% |
| 带有载物台准焦的主机架 | 粗准焦螺旋 | 42 mm/圈 |
| | 细准焦螺旋 | 0.2 mm/圈 |
| | 载物台升降总长 | 15 mm |

| | | |
|-------------|------------------|-------------------------|
| 物镜盘 | 更换物镜 | 手动更换，使用四件式物镜盘 |
| | 物镜 | 不定修正物镜范围 |
| | 安装螺纹 | W 0.8 |
| 目镜 | 镜筒尺寸 | 30 mm |
| | 视场数量 | 20 |
| | 放大倍数 | 10x |
| | 适合佩戴眼镜的人士 | Br. |
| | 可聚焦 | Foc. |
| 样品台 | 类型 | 无机架 |
| | 尺寸（宽 x 深） | 140 x 140 mm |
| | 样品台行程（X x Y） | 75 x 40 mm |
| | 同轴驱动 | 可选择右侧或左侧 |
| | 游标刻度 | 可从右侧读取 |
| | 样品支架 | 带有弹簧控制杆，左 |
| 聚光镜 | 阿贝聚光镜0.9；固定式科勒照明 | 适用于 V_{obj} 4x 至 100x |
| 照明镜 | 平面和球面， f' | 75 mm |
| 双目镜筒30° /20 | 视场数量最大值 | 20 |
| | 瞳孔间距 | 可在 50 至 75 mm 之间调节 |
| | 镜筒角度 | 30° |
| | 查看高度 | 380至415 mm |
| | 查看端口，镜筒系数 | 1x |

10 配件与选配系统扩展

只有下列已经得到 ZEISS 许可的配件可以与 显微镜 一同使用。只能使用 ZEISS 原厂件。请您事先检查您的 显微镜 是否可以 进行系统扩展（翻新）。

安装或转换之后，必须仔细检查 显微镜 与其系统扩展/组件是否处于安全运行状态，以及主机上未使用的端口是否已经关闭。请查阅相关文档，了解更多安全措施。

提示信息

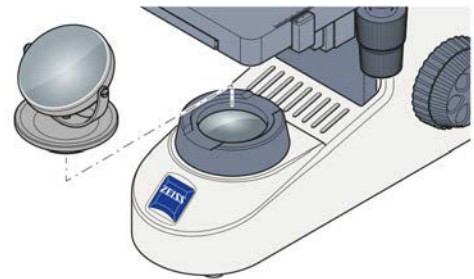
其它适用的文档里包含了附加信息与详细说明。您也可以询问您的 ZEISS 销售和服务伙伴。

| 名称 | 说明/信息 |
|-----|--------------------------------------------------------------------------------------------------------------------------------------------------------------------------------------------------------------------------------------------|
| 物镜 | 与其他系统部件不同，显微镜物镜的性能会影响到成像质量。无论是用于观察组织样品、细胞样品还是整个生物体，显微镜物镜的适用性取决于多种因素。 如需有关适用和推荐的物镜的详细信息，请访问 https://www.microshop.zeiss.com/de/de/shop/objectives 或咨询 ZEISS 销售和服务代表。 |
| 照明镜 | 没有可用的电源插座时，可用照明镜照亮样品。 |

10.1 安装反射镜

功能 若无可用的电源插座，可用反射镜来照亮样品。

流程 1. 将反射镜置于视场光阑的底座上。



2. 旋转并倾斜镜子，直到它均匀地将日光反射到光路里。

拆卸时可按照相反的顺序进行操作。

术语表

NA

数值孔径

ZEISS

ZEISS 是世界领先的光学与光电子技术企业。如需进一步了解 ZEISS，请访问 www.zeiss.com。

ZEISS 服务代表

受过专门培训的维修专家，可能是 ZEISS 的员工，也可能是获得授权的 ZEISS 维修合作伙伴。

ZEISS 销售和服务伙伴

销售和服务伙伴通常为某个地区内的客户和/或为明确划分的客户组提供现场支持。

用户

使用显微镜检查样品的人员。

索引

符号

| | |
|---------|--------|
| 安全 | 38 |
| 安全操作条件 | 38 |
| 安装 | |
| 镜子 | 58 |
| 滤镜 | 47 |
| 物镜 | 49 |
| 操作 | |
| 前提条件 | 46 |
| 查看高度 | 47 |
| 常规安全信息 | 38 |
| 打开 | 46 |
| 电源连接 | 56 |
| 故障排除 | 52 |
| 关闭 | 49, 53 |
| 警告 | |
| 标签 | 40 |
| 照明灯 | 40 |
| 警告标签 | 40 |
| 镜子 | 58 |
| 可选的系统扩展 | 58 |
| 安装 | 58 |
| 空调和质量 | 56 |
| 控件 | 42 |
| 连接显微镜 | 45 |
| 滤镜 | 47 |
| 明场 | 47 |
| 目镜 | 44 |
| 培训 | 38 |
| 配件 | 58 |
| 弃置 | 54 |
| 前提条件 | |
| 操作 | 46 |
| 清洁 | |
| 水溶性脏污 | 51 |
| 去污 | 53 |
| 数值孔径 | 44 |
| 瞳孔间距 | 46 |
| 透射光明场 | 47 |
| 图像 | 47 |
| 危害 | 39 |
| 预防 | 39 |
| 维护 | 50 |
| 污染 | 53 |
| 物镜 | 43, 49 |
| 物镜变焦倍数 | 44 |
| 信息标签 | 40 |
| 性能数据 | 55 |
| 要求 | |
| 对于操作员 | 38 |
| 指定的用途 | 38 |
| 重量和尺寸 | 55 |

Z

| | |
|-------|----|
| ZEISS | |
| 门户网站 | 37 |
| 维护协议 | 50 |

Inhaltsverzeichnis

| | | |
|----------|--------------------------------------------------------------------|-----------|
| 1 | Allgemeine Informationen | 63 |
| 1.1 | Textkonventionen und Linktypen | 63 |
| 1.2 | Mitgeltende Unterlagen | 63 |
| 1.3 | Erläuterungen zu Warnhinweisen und zusätzliche Informationen | 64 |
| 1.4 | Kontakt..... | 65 |
| 2 | Sicherheit..... | 66 |
| 2.1 | Bestimmungsgemäße Verwendung | 66 |
| 2.2 | Allgemeine Sicherheitsinformationen | 66 |
| 2.2.1 | Anforderungen an Bediener | 66 |
| 2.2.2 | Sicherer Betriebszustand | 67 |
| 2.3 | Vermeidung von Gefahren | 67 |
| 2.3.1 | Mechanische Gefahren..... | 67 |
| 2.3.2 | Gefahren durch elektrischen Strom | 67 |
| 2.3.3 | Gefahren im Zusammenhang mit der Betriebsumgebung | 68 |
| 2.3.4 | Gefahren am Arbeitsplatz..... | 68 |
| 2.3.5 | Gefahren durch Materialien und Substanzen | 68 |
| 2.4 | Warnaufkleber und -leuchten..... | 69 |
| 2.4.1 | Bedeutung der Warn- und Informationsaufkleber..... | 69 |
| 2.4.2 | Warn- und Informationsaufkleber am Stativ | 69 |
| 3 | Produkt- und Funktionsbeschreibung | 70 |
| 3.1 | Hauptkomponenten des Primostar 1 | 70 |
| 3.2 | Bedienelemente und Anzeigen am Stativ..... | 71 |
| 3.3 | Objektive | 73 |
| 3.4 | Okular..... | 74 |
| 4 | Installation..... | 75 |
| 4.1 | Mikroskop an die Stromversorgung anschließen..... | 75 |
| 5 | Erste Bedienschritte | 76 |
| 5.1 | Voraussetzungen für den Betrieb | 76 |
| 5.2 | Einschalten des Mikroskops..... | 76 |
| 5.3 | Position der Okulare einstellen | 76 |
| 5.4 | Blaufilter einsetzen..... | 77 |
| 5.5 | Erfassen eines Bildes | 77 |
| 5.6 | Objektive wechseln | 79 |
| 5.7 | Ausschalten des Mikroskops | 79 |
| 6 | Pflege und Reinigungsarbeiten | 80 |
| 6.1 | Reinigung optischer Flächen..... | 80 |
| 6.2 | Wasserlösliche Verunreinigungen beseitigen | 81 |
| 7 | Störungsbeseitigung | 82 |

| | | |
|-----------|--------------------------------------------------------------------|-----------|
| 8 | Außerbetriebnahme und Entsorgung | 83 |
| 8.1 | Außerbetriebnahme | 83 |
| 8.2 | Dekontamination | 83 |
| 8.3 | Transport und Lagerung..... | 83 |
| 8.4 | Entsorgung | 84 |
| 9 | Technische Daten und Konformität | 85 |
| 9.1 | Angewandte Normen und Vorschriften | 85 |
| 9.2 | Leistungsdaten und Spezifikationen | 85 |
| 9.3 | Leistungsdaten und Spezifikationen der optionalen Komponenten..... | 86 |
| 10 | Zubehör und optionale Systemerweiterungen | 88 |
| 10.1 | Spiegel einbauen..... | 88 |
| | Glossar | 89 |
| | Index | 90 |

1 Allgemeine Informationen

Diese Betriebsanleitung ist Teil des Primostar 1, im Folgenden Mikroskop genannt.

Diese Betriebsanleitung enthält grundlegende Vorgehensweisen und Sicherheitsinformationen, die während des Betriebs und der Wartung beachtet werden müssen. Daher muss die Betriebsanleitung vor der Inbetriebnahme vom Bediener gelesen werden und ständig am Einsatzort des Mikroskops verfügbar sein. Diese Betriebsanleitung ist ein wichtiger Bestandteil des Mikroskops und muss dem Mikroskop bei einem Weiterverkauf beigelegt oder dem neuen Besitzer ausgehändigt werden.

1.1 Textkonventionen und Linktypen

In diesem Dokument werden die folgenden Textkonventionen und Linktypen verwendet:

| Textkonvention | Bedeutung |
|-------------------------------------------------------------------------------------------------------------|-------------------------------------------------------------------------------------------------------------------------------------------------------------------------------|
| Auf Start klicken. Den Taster STANDBY drücken. [Enter] auf der Tastatur drücken. | Namen von Bedienelementen und wichtige Informationen sind in Fettschrift dargestellt. |
| <Strg+Alt+Entf> drücken. | Mehrere Tasten auf der Tastatur gleichzeitig drücken. |
| Tools > Goto Control Panel > Airlock öffnen. | In der Software einem Pfad folgen. |
| <i>Texteingabe</i> | Vom Benutzer einzugebender Text |
| Programmierung und Makros | Alles, was beim Programmieren wörtlich eingegeben wird, zum Beispiel Makrocodes, Schlüsselwörter, Datentypen, Methodennamen, Variablen, Klassennamen und Schnittstellennamen. |

Tab. 1: Textkonvention

| Linktyp | Bedeutung |
|-----------------------------------------------------------------------------------------------------------|------------------------------------------------------|
| Siehe: <i>Textkonventionen und Linktypen</i> [▶ 63]. | Link zu weiteren Informationen zum jeweiligen Thema. |
| https://www.zeiss.com/corporate/int/home.html | Link zu einer Website im Internet. |

Tab. 2: Linktypen

1.2 Mitgeltende Unterlagen

Bitte beachten Sie auch folgende Unterlagen:

- Broschüren und Zertifikate** Broschüren, ISO-Zertifikate, CSA-Zertifikate und EU-Konformitätserklärungen können Sie über Ihren ZEISS Vertriebs- & Servicepartner anfordern.
- Örtliche und nationale Gesundheits- und Sicherheitsvorschriften** Die örtlichen und nationalen Gesundheits- und Sicherheitsvorschriften für den Standort und die Verwendung des Mikroskops sollten beachtet werden. Wenden Sie sich an Ihren ZEISS Vertriebs- und Servicepartner, falls diese Bestimmungen den Installationsanforderungen des Mikroskops widersprechen.

| | |
|------------------------------------------------------|------------------------------------------------------------------------------------------------------------------------------------------------------------------------------------------------------------------------------------------------------------------------------------|
| Materialsicherheitsdatenblatt | Beachten Sie die beiliegenden Materialsicherheitsdatenblätter. Die Anweisungen und Richtlinien in den entsprechenden Materialsicherheitsdatenblättern müssen beachtet werden. |
| System- und Drittanbieterkomponenten, Zubehör | Das Mikroskop kann auf vielfältige Art konfiguriert werden. Informationen über die einzelnen Komponenten, Erweiterungen und Zubehör sind bei ihrem ZEISS Vertriebs- & Servicepartner erhältlich. Zusätzlich ist, wenn vorhanden, die Dokumentation des Drittanbieters zu beachten. |

1.3 Erläuterungen zu Warnhinweisen und zusätzliche Informationen

GEFAHR, WARNUNG, VORSICHT und HINWEIS sind standardisierte Signalwörter, die verwendet werden, um die Gefahrenstufen und Risiken für Personen- und Materialschäden zu bestimmen. Es sind nicht nur die Sicherheits- und Warnhinweise im Kapitel **Sicherheit** zu beachten, sondern auch die Sicherheits- und Warnhinweise in anderen Kapiteln. Werden diese Anweisungen und Warnungen nicht beachtet, kann dies zu Verletzungen und Materialschäden sowie zum Verlust jeglicher Schadensersatzansprüche führen.

Die folgenden Symbole und Warnhinweise, die gefährliche Situationen und Gefahren anzeigen, werden in diesem Dokument verwendet.

GEFAHR

Art und Quelle der Gefahr

GEFAHR zeigt eine unmittelbar gefährliche Situation an, die zum Tod oder zu schweren Verletzungen führt, wenn sie nicht vermieden wird.

WARNUNG

Art und Quelle der Gefahr

WARNUNG weist auf eine potenziell gefährliche Situation hin, die zum Tod oder zu schweren Verletzungen führen kann, wenn sie nicht vermieden wird.

VORSICHT

Art und Quelle der Gefahr

VORSICHT weist auf eine potenziell gefährliche Situation hin, die zu leichten oder mittelschweren Verletzungen führen kann, wenn sie nicht vermieden wird.

HINWEIS

Art und Quelle der Gefahr

HINWEIS weist auf eine potenziell gefährliche Situation hin, die zu Sachschäden führen kann, wenn sie nicht vermieden wird.

Info

Bietet zusätzliche Informationen oder Erklärungen, um den Benutzern das Verständnis der vorliegenden Betriebsanleitung zu erleichtern.

1.4 Kontakt

Bei Fragen oder Problemen wenden Sie sich bitte an Ihren örtlichen ZEISS Vertriebs- & Servicepartner oder an eine der folgenden Adressen:

Hauptsitz

Telefon: +49 1803 33 63 34

Fax: +49 3641 64 3439

E-Mail: info.microscopy.de@zeiss.com

Kurse und Schulungen

E-Mail: courses.microscopy.de@zeiss.com

ZEISS Portal

Das ZEISS Portal (<https://portal.zeiss.com/>) bietet verschiedene Dienste und Funktionen, die Ihnen die tägliche Arbeit mit Ihren ZEISS-Systemen (Hardware und Software) vereinfachen. Es wird laufend verbessert und weiterentwickelt, um Ihre Bedürfnisse und Anforderungen noch besser zu erfüllen.

ZEISS Vertriebs- & Servicepartner

Einen ZEISS Vertriebs- & Servicepartner in Ihrer Nähe finden Sie unter <https://www.zeiss.de/mikroskopie/website/forms/sales-and-service-contacts.html>.

Service Deutschland

Telefon: +49 7364 20 3800

Fax: +49 7364 20 3226

E-Mail: service.microscopy.de@zeiss.com

2 Sicherheit

Dieses Kapitel enthält allgemeine Anforderungen für sicheres Arbeiten. Jede Person, die mit dem Mikroskop arbeitet oder mit seinem Aufbau oder seiner Wartung betraut wird, muss diese allgemeinen Sicherheitshinweise lesen und befolgen. Kenntnisse der grundlegenden Sicherheitshinweise und Anforderungen sind Bedingung für eine sichere und fehlerfreie Bedienung. Die Betriebssicherheit des gelieferten Mikroskops ist nur bei bestimmungsgemäßer Verwendung gewährleistet.

Sind Tätigkeiten mit Restrisiken verbunden, erfolgt ein konkreter Hinweis an den betreffenden Stellen in diesem Dokument. Müssen Komponenten mit spezieller Vorsicht gehandhabt werden, sind sie mit einem Warnaufkleber versehen. Diese Warnungen müssen immer beachtet werden.

2.1 Bestimmungsgemäße Verwendung

Das Primostar 1 ist ein Mikroskop, das speziell für die Ausbildung und das Routinelabor konzipiert wurde.

Zu den typische Anwendungen zählen:

- Ausbildung (Unterricht, Studium)
- Labore
- Arztpraxen

Eine unsachgemäße Verwendung kann leicht zur Beeinträchtigung der Funktion oder sogar zu Beschädigungen des Mikroskops führen. Für Schäden, die durch unsachgemäße Bedienung, Fahrlässigkeit oder nicht autorisierte Eingriffe entstehen, insbesondere das Entfernen, Verändern oder Austauschen von Teilen des Mikroskops, kann der Hersteller nicht haftbar gemacht werden. Drittanbietergeräte oder -komponenten, die nicht ausdrücklich von ZEISS zugelassen sind, dürfen nicht verwendet werden.

2.2 Allgemeine Sicherheitsinformationen

Diese Betriebsanleitung muss vor der Inbetriebnahme gelesen werden, um einen sicheren und störungsfreien Betrieb zu gewährleisten. Beachten Sie insbesondere alle aufgeführten Sicherheitshinweise. Stellen Sie sicher, dass

- das Bedienpersonal diese Betriebsanleitung, die zugehörigen Dokumente und insbesondere alle Sicherheitsvorschriften und Anweisungen gelesen und verstanden hat und diese anwendet.
- die lokalen und nationalen Sicherheits- und Unfallverhütungsvorschriften sowie die in Ihrem Land geltenden Gesetze und Vorschriften beachtet werden.
- diese Betriebsanleitung stets am Mikroskop zur Verfügung steht.
- sich das Mikroskop immer in einem einwandfreien Zustand befindet.
- das Mikroskop gegen den Zugriff durch unbefugte Personen gesichert ist.
- Instandhaltungsarbeiten, der Umbau, die Entfernung oder der Austausch von Bauteilen sowie sonstige Eingriffe in das Mikroskop, die nicht in dieser Betriebsanleitung beschrieben sind, nur vom Hersteller ZEISS oder ausdrücklich von ZEISS dazu autorisierten Personen durchgeführt werden.

2.2.1 Anforderungen an Bediener

Das Mikroskop, seine Systemkomponenten und Zubehörteile dürfen nur von autorisiertem und geschultem Personal bedient und gewartet werden. Das Mikroskop darf nur entsprechend dieser Betriebsanleitung verwendet werden. Wenn das Mikroskop nicht wie beschrieben verwendet wird, kann die Sicherheit des Benutzers beeinträchtigt werden und/oder das Mikroskop kann beschädigt werden. Jeglicher nicht autorisierte Eingriff und jegliche nicht bestimmungsgemäße Verwendung führen zum Erlöschen aller Gewährleistungsansprüche. Die regionalen Vorschriften zum Gesundheitsschutz und zur Unfallverhütung müssen jederzeit und bei allen Arbeiten an und mit dem Mikroskop beachtet werden.

Schulung Autorisierte Mitarbeiter von ZEISS werden eine Grundlagenschulung für die Bedienung des Mikroskops durchführen sowie Informationen zur Gerätesicherheit und zu Wartungsarbeiten vermitteln, die vom Betreiber durchgeführt werden können. Die Schulung wird von ZEISS dokumentiert und ihr Abschluss ist vom Betreiber zu bestätigen.

Gegen eine Gebühr werden spezielle Anwendungsschulungen angeboten. Aktuelle Schulungstermine, weitere Informationen und das Anmeldeformular sind unter <https://www.zeiss.com/microscopy/int/service-support/training-and-education.html> verfügbar.

2.2.2 Sicherer Betriebszustand

Treten Umstände ein, die die Sicherheit beeinträchtigen und zu Änderungen des Betriebsverhaltens führen, ist das Mikroskop sofort abzuschalten und ein ZEISS-Servicevertreter zu informieren. Das Mikroskop kann nur nach ordnungsgemäßer Installation durch einen ZEISS Service-Vertreter und unter Einhaltung der Betriebsbedingungen betrieben werden. Das Mikroskop darf erst nach ordnungsgemäßer Installation durch einen ZEISS Service-Vertreter und unter Einhaltung der Betriebsbedingungen betrieben werden.

- Bedienen Sie das Mikroskop erst dann, wenn Sie die gesamte im Lieferumfang des Mikroskops enthaltene Dokumentation vollständig gelesen und verstanden haben.
- Stellen Sie sicher, dass alle Schutzverkleidungen vorhanden und alle Warnschilder angebracht und lesbar sind.
- Schaffen Sie die Voraussetzungen und ergreifen Sie die nötigen Maßnahmen, um elektrostatische Aufladungen am Arbeitsplatz zu verhindern.

2.3 Vermeidung von Gefahren

In diesem Abschnitt sind potenzielle Gefährdungen und empfohlene Sicherheitsmaßnahmen zusammengefasst. Die Nichtbeachtung der Sicherheitshinweise und Anweisungen kann zu Personen- und Sachschäden führen.

2.3.1 Mechanische Gefahren

Sachschäden durch Transport Es besteht die Gefahr von Verletzungen und Sachschäden, wenn das Mikroskop unsachgemäß gehandhabt oder transportiert wird.

- Nutzen Sie ausschließlich den Griff, falls verfügbar, um das Mikroskop zu transportieren. Ansonsten halten Sie das Mikroskop mit einer Hand und die Grundplatte mit der anderen.

2.3.2 Gefahren durch elektrischen Strom

Gefahren durch elektrische Spannung Gefahr eines Stromschlags bei Kontakt mit stromführenden Teilen.

Stets die von ZEISS gelieferten Spannungsadapter verwenden. Bei Verwendung eines ungeeigneten Spannungsadapters kann ZEISS die elektrische Sicherheit und Funktionalität des Mikroskops nicht mehr garantieren.

- Mikroskop ausschalten.
- Mikroskop vor der Reinigung von der Stromversorgung trennen.
- Das Mikroskop sollte so aufgebaut und bedient werden, dass die Anschlüsse leicht erreichbar sind.

2.3.3 Gefahren im Zusammenhang mit der Betriebsumgebung

- Schmutz, Staub und Feuchtigkeit** Schmutz, Staub und Feuchtigkeit können die Funktionalität des Mikroskops beeinträchtigen.
- Das Mikroskop immer ausschalten, wenn es nicht benutzt wird, und mit einer Staubschutzhülle abdecken.
 - Nicht benutzte Öffnungen/Ports stets abdecken.
 - Wartungs- und Reinigungsarbeiten sind regelmäßig entsprechend den Anweisungen im vorliegenden Dokument durchzuführen.
 - Es darf keine Reinigungsflüssigkeit oder Feuchtigkeit in das Geräteinnere gelangen.
 - Sicherstellen, dass die elektrischen Teile niemals mit Feuchtigkeit in Berührung kommen.
 - Das Mikroskop niemals unzulässigen klimatischen Bedingungen aussetzen (hohe Luftfeuchtigkeit und Temperatur).

2.3.4 Gefahren am Arbeitsplatz

- Prävention von Muskel-Skelett-Erkrankungen** Muskel-Skelett-Erkrankungen (MSE) treten im Bereich der Muskeln, Nerven, Blutgefäße, Bänder und Sehnen auf. Arbeitnehmer in unterschiedlichen Branchen und Berufen können bei der Arbeit Risikofaktoren ausgesetzt sein. Dazu gehören das Heben schwerer Gegenstände, Bücken, Überkopfgreifen, Schieben und Ziehen schwerer Lasten, Arbeiten in ungünstigen Körperhaltungen und das wiederholte Ausführen gleicher oder ähnlicher Aufgaben. Arbeitgeber sind für die Sicherstellung eines sicheren und gesunden Arbeitsplatzes für ihre Arbeitnehmer verantwortlich.

2.3.5 Gefahren durch Materialien und Substanzen

- Infektionsgefahr** Bei direktem Kontakt mit den Okularen können bakterielle und virale Infektionen übertragen werden.
- Dieses Risiko lässt sich durch Verwendung persönlicher Okulare oder Augenmuscheln verringern. Ist eine häufige Desinfektion von Okularen erforderlich, so empfiehlt die Firma ZEISS, die Okulare ohne Augenmuschel zu verwenden.
 - Zur Vermeidung von Infektionen wird die Verwendung von persönlicher Schutzausrüstung (PSA), z. B. Handschuhe zum Betrieb, zur Reinigung und Dekontamination dringend empfohlen. Zur Verringerung der Kontaminationsgefahr können Einweghandschuhe z. B. mit Alkohol dekontaminiert werden oder sollten häufig gewechselt werden.
- Gefahren durch Verbrauchsmaterialien** Die unsachgemäße Handhabung von Verbrauchsmaterialien und Reinigungsmitteln kann zu Sachschäden oder Haut- und Augenverletzungen führen. Verbrauchsmaterialien, die nicht von ZEISS genehmigt sind, können zu Sachschäden führen. Welche Verbrauchsmaterialien Sie bestellen können und wie Sie damit umgehen müssen, erfahren Sie von Ihrem ZEISS Vertriebs- & Servicepartner.
- Gefahren durch Desinfektionsmittel** In geschlossenen Räumen für angemessene Belüftung sorgen. Bei unzureichender Belüftung ist eine geeignete Atemschutzausrüstung zu tragen. Schädliche Rückstände sind zu entfernen. Das Gerät nach der Desinfektion abtrocknen lassen, insbesondere nach der Desinfektion von Okularen. Keine Dämpfe einatmen. Bei Verwendung von Desinfektionsmitteln darf nicht gegessen, getrunken oder geraucht werden. Berührung mit Augen und Haut vermeiden. Kontaminierte Bekleidung entfernen und vor erneutem Gebrauch waschen.
- Reizung der Augen, Haut, Atemwege** Die Einwirkung von Chemikalien und deren Aerosolen kann zu Reizungen von Augen, Haut und Atemwegen führen. Geeignete persönliche Schutzausrüstung verwenden (PSA).

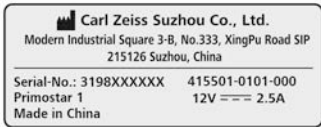



2.4 Warnaufkleber und -leuchten

Alle Teile des Mikroskops, von denen spezifische Gefahren ausgehen können, sind mit zusätzlichen Warnschildern (Piktogrammen) gekennzeichnet. Diese Warnschilder weisen auf potenzielle Gefahren hin und sind Teil dieser Betriebsanleitung. Sie müssen in sauberem und gut lesbarem Zustand gehalten werden.

Prüfen Sie alle vorgeschriebenen Warnschilder auf: Verfügbarkeit, Lesbarkeit, Korrektheit. Beschädigte oder unleserliche Warnschilder müssen sofort ersetzt werden. Stets alle Warnschilder auf dem gesamten Mikroskop beachten.

2.4.1 Bedeutung der Warn- und Informationsaufkleber

Die Bedeutung der einzelnen Warnaufkleber wird nachfolgend erläutert:

| Pos. | Symbol | Beschreibung |
|------|-------------------------------------------------------------------------------------|---------------------------------------------------------------------------------------------------------------------------------------------------|
| 1 |  | Typenschild des Mikroskops |
| 2 |  | Heiße Fläche (Unterseite) Mikroskop nur auf einer stabilen, massiven, glatten und schwer entflammaren (nicht brennbaren) Oberfläche betreiben. |
| 3 |  | Typenschild des Mikroskops |
| 4 |  | Primostar 1 EU Importer Carl Zeiss Microscopy GmbH Carl-Zeiss-Promenade 10 07745 Jena, Germany |

2.4.2 Warn- und Informationsaufkleber am Stativ

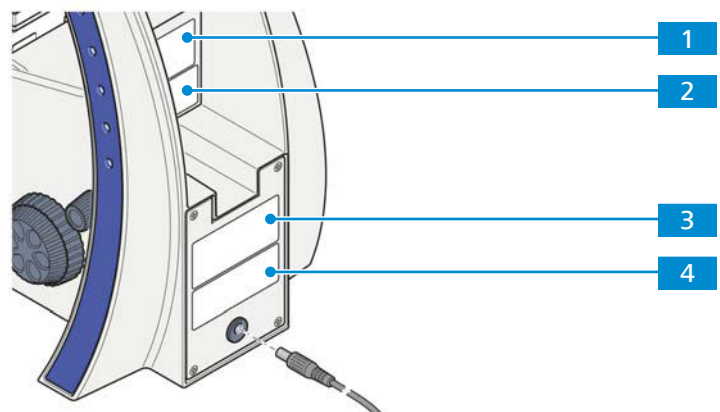


Abb. 1: Position der Warn- und Informationsaufkleber

3 Produkt- und Funktionsbeschreibung

Das Primostar 1 ist ein Durchlichtmikroskop in kompakter Bauweise und mit kleiner Standfläche.

Das Primostar 1 ist ein Mikroskop, das speziell für die Ausbildung und das Routinelabor entwickelt wurde. Es ist auch im Dauereinsatz sehr langlebig.

3.1 Hauptkomponenten des Primostar 1

Das Primostar 1 besteht aus folgenden Hauptkomponenten

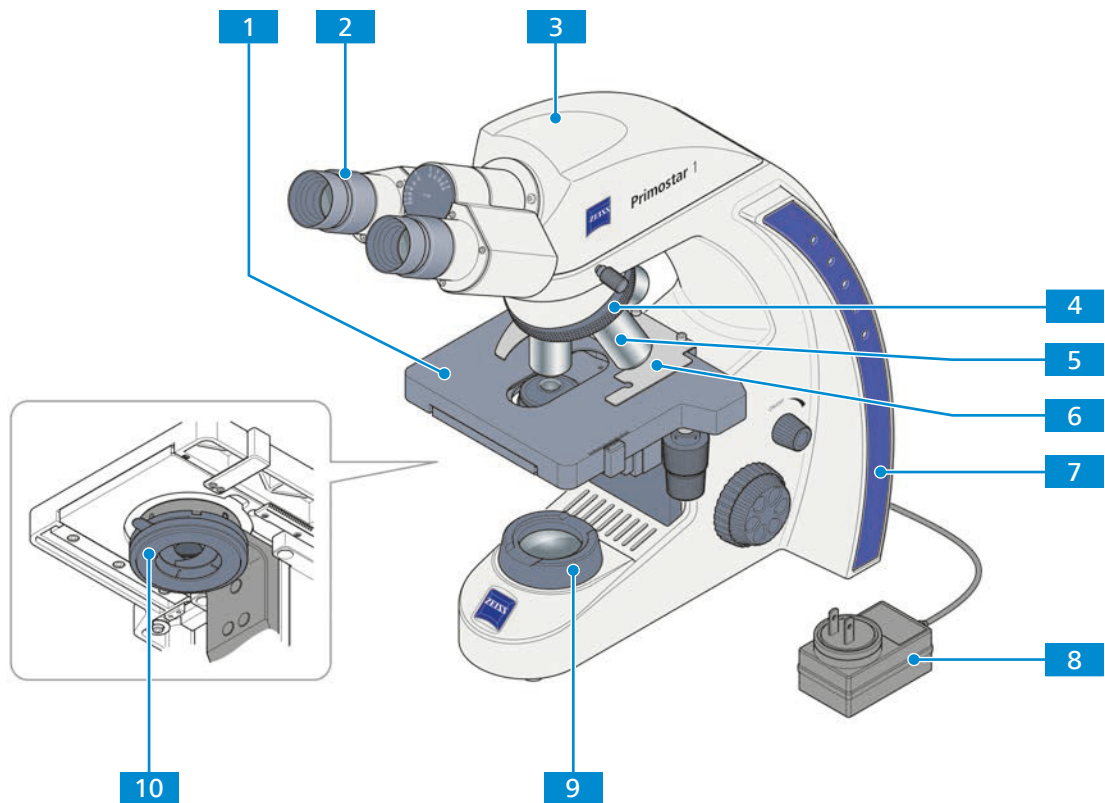


Abb. 2: Hauptkomponenten von Primostar 1

- | | |
|----------------------------------------|----------------------------------------|
| 1 Probentisch | 2 Okular |
| 3 Tubus | 4 Objektivrevolver |
| 5 Objektiv | 6 Probenhalter |
| 7 Stativ | 8 Netzteil |
| 9 Durchlichtbeleuchtungseinheit | 10 Abbe-Kondensor, Fixed-Köhler |

3.2 Bedienelemente und Anzeigen am Stativ

Zweck Die Hauptfunktionen des Mikroskops werden über die Bedienelemente am Stativ gesteuert.

Position Folgende Bedienelemente befinden sich auf der rechten Seite des Stativs.

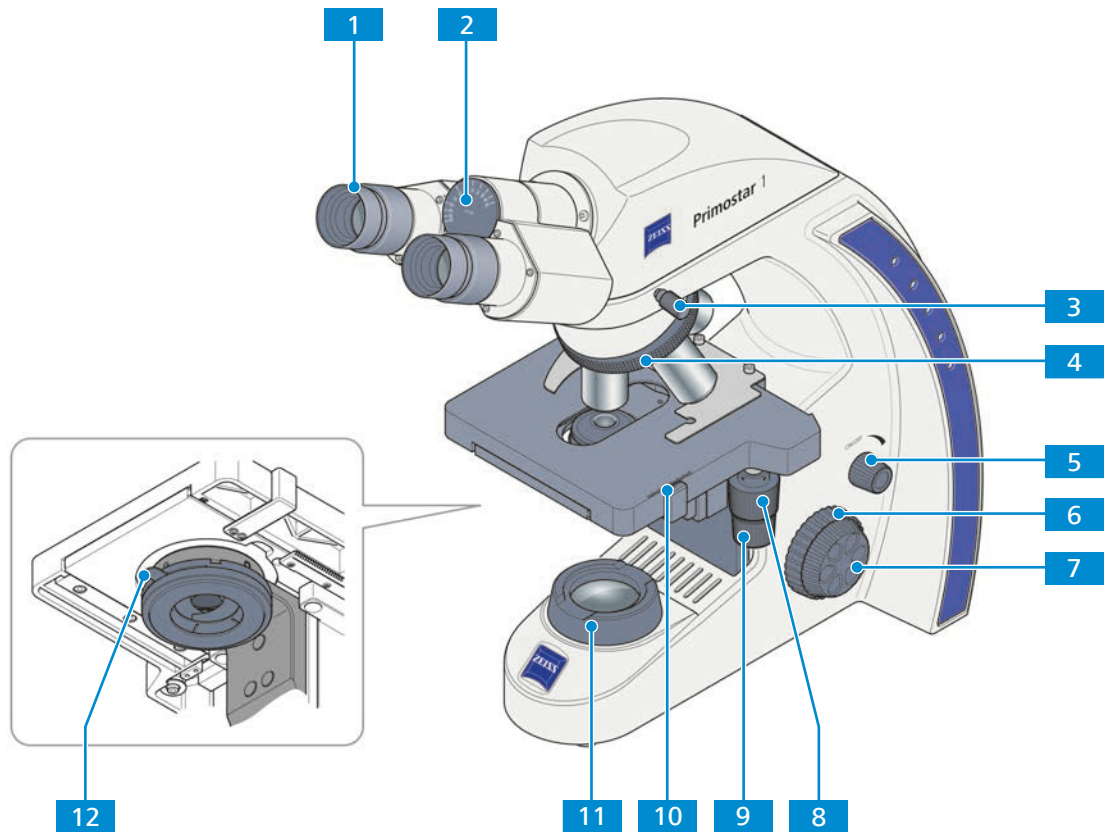


Abb. 3: Bedienelemente auf der rechten Stativseite

- | | |
|--------------------------------------------------------------------|-------------------------------------------------------------------------|
| 1 Okular, einstellbar | 2 Augenabstand-Anzeige |
| 3 Halteschraube Betrachtungstubus | 4 Griff für Drehen des Objektivrevolvers |
| 5 Regler für die Lichtintensität | 6 Fokussiertrieb für Grobeinstellung (rechts) |
| 7 Fokussiertrieb für Feineinstellung (rechts) | 8 Drehregler zur Verstellung des Kreuztisches in Y-Richtung |
| 9 Drehregler zur Verstellung des Kreuztisches in X-Richtung | 10 Nonius und Skala zum Ablesen der Y-Position des Probenstischs |
| 11 Durchlichtbeleuchtungseinheit | 12 Hebel zur Verstellung der Aperturblende des Kondensors |

Position Folgende Bedienelemente befinden sich auf der linken Seite des Stativs.

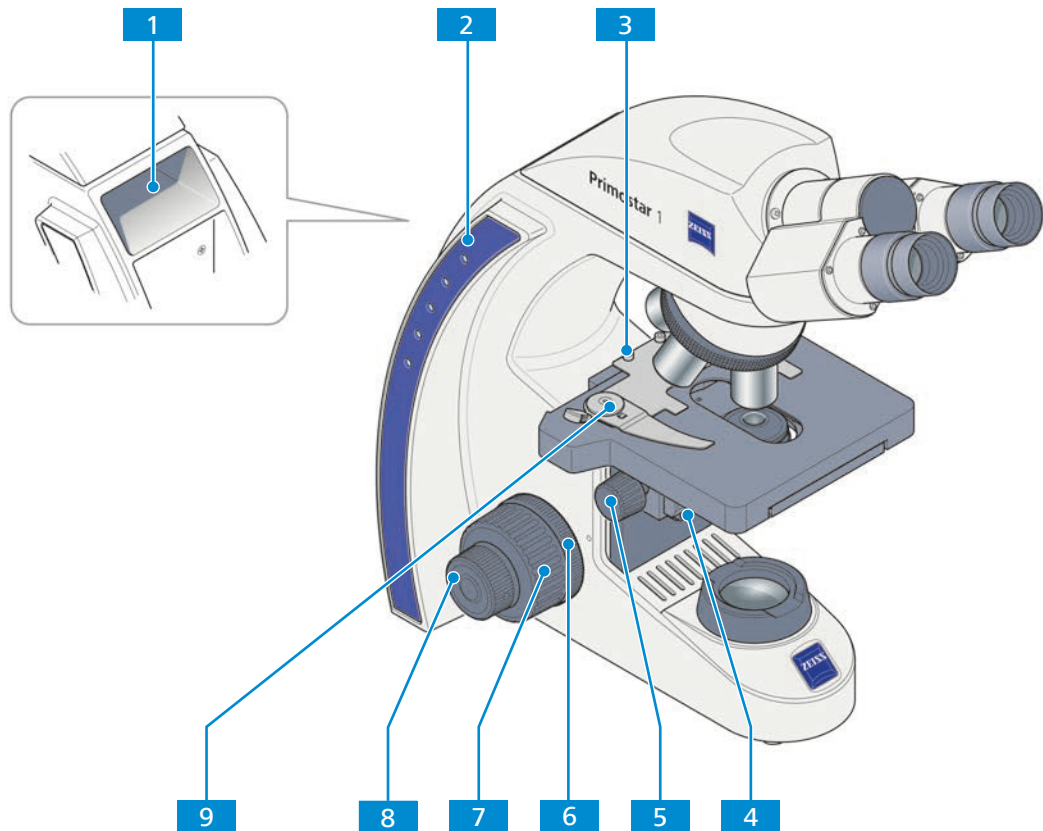


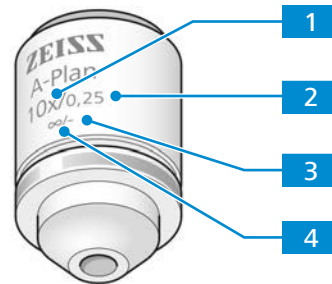
Abb. 4: Bedienelemente auf der linken Stativseite

- | | |
|----------------------------------------------------------|--------------------------------------------------------------------|
| 1 Tragegriff | 2 Beleuchtungsintensitätsanzeigen für Durchlicht |
| 3 Klemmschraube für Probenhalter | 4 Halteschraube zum Absenken des Kondensors |
| 5 Griffrändel zur Höhenverstellung des Kondensors | 6 Griffrändel zur Einstellung der Gängigkeit des Grobtriebs |
| 7 Fokussiertrieb für Grobeinstellung (links) | 8 Fokussiertrieb für Feineinstellung (links) |
| 9 Hebel des Probenhalters zum Fixieren der Probe | |

3.3 Objektive

Die Funktionsmerkmale eines Objektivs sind aus der entsprechenden Kennzeichnung ersichtlich, z. B.

A-Plan 10x/0,25 ∞/-.



1 Vergrößerung des Objektivs

Mit dem Vergrößerungsfaktor wird die Vergrößerung des Objektivs angegeben. Mit höheren Vergrößerungen können Sie kleinere Merkmale auf der Probe auflösen.

Der Vergrößerungsfaktor eines Objektivs wird auch durch den Farbring am Objektiv angezeigt, siehe ZEISS Farbkodierung.

Die Objektivvergrößerung multipliziert mit der Okularvergrößerung ergibt die Gesamtvergrößerung.

2 Numerische Apertur (NA)

Die numerische Apertur multipliziert mit 1000 stellt die maximal nutzbare Vergrößerung dar; oberhalb dieser Grenze kann keine weitere Auflösung erzielt werden.

3 Geeignete Deckglasdicke

- : Das Objektiv kann mit oder ohne 0,17 mm dickem Deckglas verwendet werden.

0: Das Objektiv kann ohne Deckglas verwendet werden.

0,17: Das Objektiv kann mit 0,17 mm dickem Deckglas verwendet werden.

4 Mechanische Tubuslänge

Das Objektiv kann mit beliebigen Tubuslängen verwendet werden.

Info

Die folgenden Objektive haben aufgrund ihres kurzen Arbeitsabstandes eine elastische Fassung (Schutz der Probe):

- ▶ 40 x
- ▶ 100 x oil

3.4 Okular

Zweck Die Okulare dienen zur Beobachtung des Mikroskopbildes.

Position Die Okulare werden in den Tubus eingeschoben.

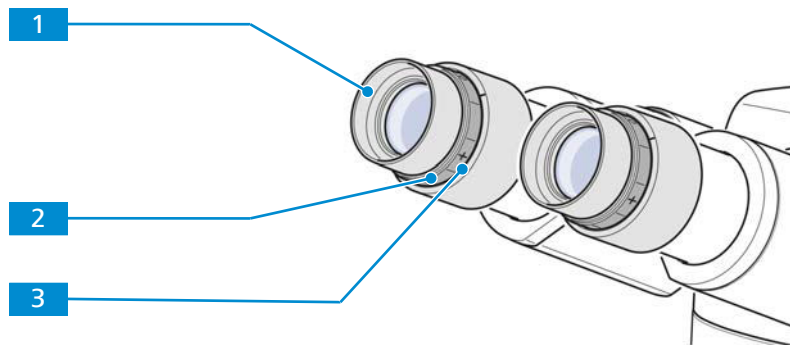


Abb. 5: Okular

- | | |
|--------------------------------------------------------------------------------|-----------------------------------------------------------------------------|
| <p>1 Stülpbare Gummiaugenmuschel</p> | <p>2 Fokussiering Zum Dioptrienausgleich bei Fehlsichtigkeit</p> |
| <p>3 Dioptrienskala Zur Erleichterung der korrekten Einstellung</p> | |

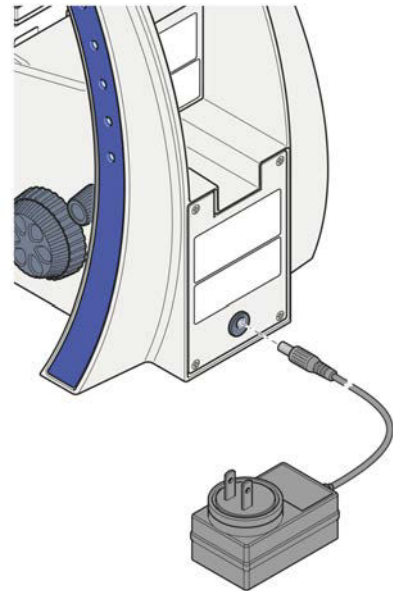
Funktionsprinzip Beide Okulare eignen sich für Brillenträger. Außerdem verfügen sie über einen Fokussiering zum Dioptrienausgleich bei Fehlsichtigkeit. Die vorhandene Dioptrienskala hilft den Benutzern die richtige Einstellung zu finden.

4 Installation

Führen Sie nur Installationsarbeiten durch, die in diesem Dokument beschrieben sind. Alle anderen Installationsarbeiten, die im Folgenden nicht beschrieben werden, dürfen nur von einem autorisierten ZEISS-Servicevertreter durchgeführt werden.

4.1 Mikroskop an die Stromversorgung anschließen

- Vorgehensweise**
1. Das Steckernetzteil von der Halterung abnehmen.
 2. Steckernetzteil an die Buchse für die Stromversorgung anschließen.



3. Falls nötig, den installierten Netzadapter durch einen der mitgelieferten landesspezifischen Adapter ersetzen.
4. Steckernetzteil an die Stromversorgung anschließen.

5 Erste Bedienschritte

Dieses Kapitel beschreibt das Ein- und Ausschalten und die ersten Schritte zur Bedienung des Mikroskops.

Info

Weitere Informationen und detaillierte Beschreibungen entnehmen Sie den mitgeltenden Unterlagen oder fragen Sie Ihren ZEISS-Vertriebs- und Servicevertreter.

Info

Weitere Informationen über die Software und ihre Funktionsweise finden Sie in der Onlinehilfe der Software.

5.1 Voraussetzungen für den Betrieb

Die folgenden Grundvoraussetzungen sind für Inbetriebnahme und Betrieb erforderlich:

- Die Betriebsanleitung wurde vor Inbetriebnahme und Betrieb gelesen und für die weitere Verwendung aufbewahrt.
- Das Kapitel **Sicherheit** wurde gelesen und verstanden.
- Der Benutzer ist mit den allgemeinen Windows®-basierten Programmen vertraut.
- Falls erforderlich: Grundlagenschulung und Sicherheitseinweisung erfolgreich abgeschlossen.

5.2 Einschalten des Mikroskops

Voraussetzung ✓ *Das Mikroskop ist an die Stromversorgung angeschlossen. [▶ 75]*

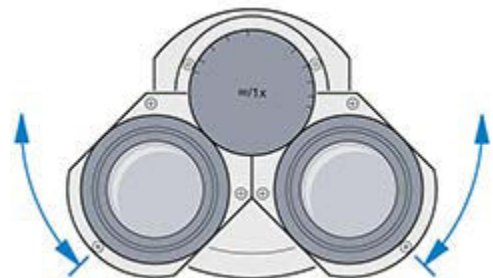
- Vorgehensweise**
1. Den Lichtintensitätsregler drehen.
 2. Die Beleuchtung auf die gewünschte Intensität einstellen.
 - Die gewählte Intensität wird durch die Leuchtdioden am Stativ angezeigt.

5.3 Position der Okulare einstellen

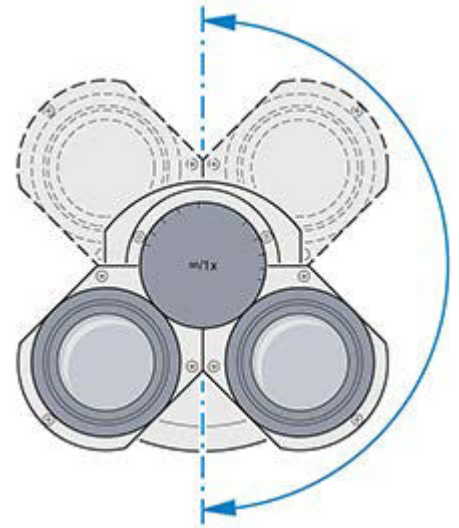
Info

Der Pupillenabstand ist richtig eingestellt, wenn Sie beim Blick durch die beiden Okulare nur ein rundes Bild sehen.

- Vorgehensweise**
1. Okularstutzen symmetrisch aufeinander zu oder voneinander weg drehen und so den Pupillenabstand einstellen .

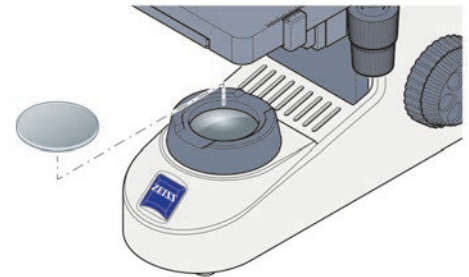


- Die Einblickhöhe einstellen durch Schwenken der Okulare um ganze 180° nach oben oder nach unten.



5.4 Blaufilter einsetzen

- Vorgehensweise** 1. Blaufilter auf die Leuchtfeldblende aufsetzen.



Zum Ausbau in umgekehrter Reihenfolge vorgehen.

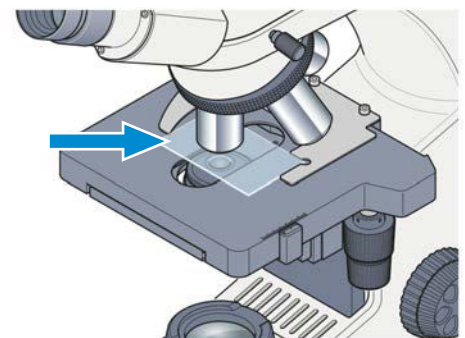
5.5 Erfassen eines Bildes

Info

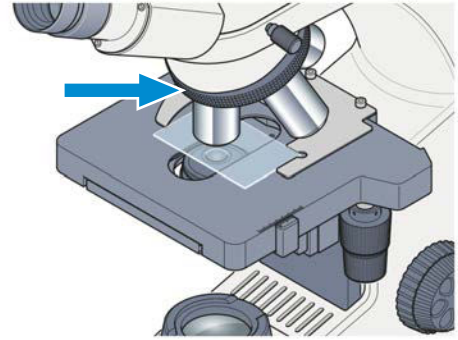
Das Mikroskop wird werksseitig voreingestellt geliefert

Voraussetzung ✓ Die Position der Okulare ist eingestellt [▶ 76].

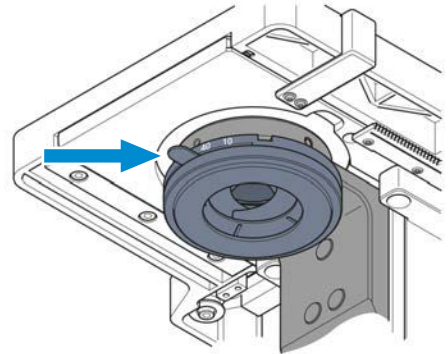
- Vorgehensweise** 1. Probe in den Probenhalter des Kreuztischs einlegen.



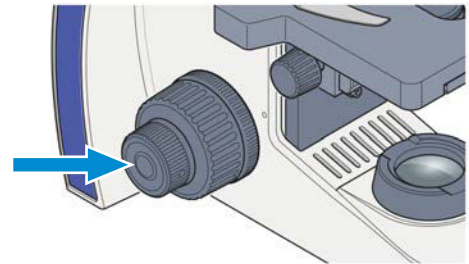
2. Gewünschte Vergrößerung durch Platzieren des entsprechenden Objektivs in den Strahlengang auswählen.



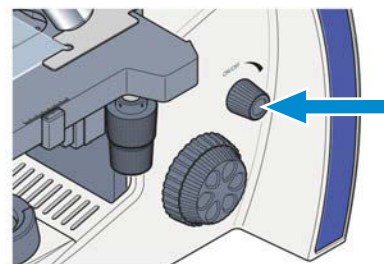
3. Aperturblende des Kondensors mit Hebel auf den Wert der gewählten Vergrößerung stellen (**10x**, **40x** oder **100x**).



4. Die Probe mit Fokussiertrieb scharf stellen.



5. Beleuchtungsintensität mit Drehknopf so anpassen, dass eine angenehme Beleuchtung erzielt wird.



5.6 Objektive wechseln

HINWEIS

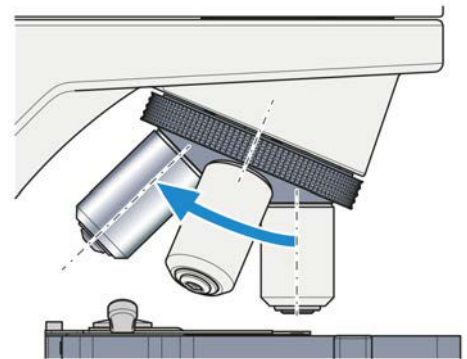
Staubempfindliche Komponenten

Werden unbestückte Objektivaufnahmen am Objektivrevolver nicht abgedeckt, können Partikel in das Mikroskop gelangen und Optik und Mechanik dauerhaft schädigen.

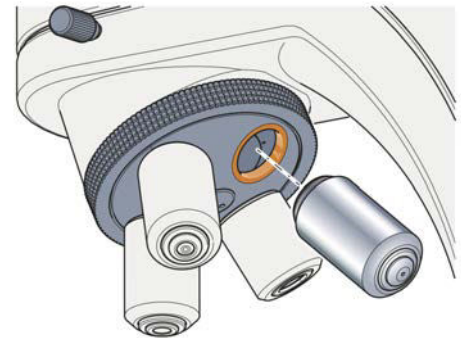
- ▶ Nicht verwendete Objektivaufnahmen am Objektivrevolver stets abdecken!

Die Objektive sollten in der in der Abbildung gezeigten aufsteigenden Reihenfolge der Vergrößerung eingebaut werden.

- Vorgehensweise**
1. Mit dem Fokussiertrieb den Proben­tisch oder den Tisch­träger ganz nach unten fahren.
 2. Die Abdeckung entfernen oder das eingesetzte Objektiv aus der entsprechenden Öffnung des Objektivrevolvers heraus­schrauben.



3. Das Objektiv aus seinem Koffer nehmen.
4. Das Objektiv vorsichtig in die Öffnung schrauben. Sicherstellen, dass es ordnungsgemäß in das Gewinde des Objektivrevolvers einrastet.



5.7 Ausschalten des Mikroskops

- Vorgehensweise**
1. Den Lichtintensitätsregler drehen.
→ Die Leuchtdioden gehen aus.
 2. Mikroskop mit der Staubschutzhaube abdecken.

6 Pflege und Reinigungsarbeiten

Um die bestmögliche Leistung des Mikroskops sicherzustellen, muss eine regelmäßige Wartung durchgeführt werden. Zur Gewährleistung der Sicherheit und der Zuverlässigkeit bei der Bedienung des Mikroskops, empfehlen wir einen **ZEISS Wartungsvertrag** abzuschließen. Bewahren Sie die Serviceprotokolle für Ihr Mikroskop auf.

GEFAHR

Stromschlag durch stromführende Teile

Wenn das Mikroskop noch eingeschaltet ist, kann das Berühren stromführender Teile zu einem Stromschlag oder zu Verbrennungen führen.

- ▶ Mikroskop vor dem Öffnen und Reinigen ausschalten.
- ▶ Stromführende Teile von der Stromversorgung trennen.

HINWEIS

Funktionelle Beeinträchtigung durch Schmutz und Feuchtigkeit

Schmutz, Staub und Feuchtigkeit können die Funktion des Mikroskops beeinträchtigen und Kurzschlüsse verursachen.





- ▶ Staubschutzhülle verwenden, wenn das Mikroskop nicht verwendet wird.
- ▶ Die Lüftungsschlitze müssen jederzeit frei bleiben.
- ▶ Regelmäßige Wartung und Reinigungsarbeiten gemäß der Anweisungen in diesem Dokument und den mitgeltenden Dokumenten durchführen.
- ▶ Es dürfen keine Reinigungsflüssigkeiten und Feuchtigkeit in das Geräteinnere gelangen.
- ▶ Bei Beschädigung sind die betroffenen Teile des Mikroskops sofort außer Betrieb zu nehmen.

6.1 Reinigung optischer Flächen

HINWEIS

Beschädigung der Linse durch unsachgemäße Reinigung

- ▶ Staub langsam und vorsichtig von der Linse entfernen.
- ▶ Staub auf optischen Oberflächen mit einer Naturhaarbürste oder einem Blasebalg entfernen.

- Teile und Werkzeuge**
-  Sauberes Tuch
 -  Wattestäbchen
 -  Optische Reinigungslösung (85 % n-Hexan und 15 Vol.-% Isopropylalkohol (IPA))
 -  Fusselfreies Tuch

- Vorgehensweise**
1. Wattestäbchen oder sauberes Tuch bei Bedarf mit einer optischen Reinigungslösung befeuchten.

2. Optische Flächen kreisförmig in Richtung der Optikkante mit leichtem Druck reinigen.



FALSCH

RICHTIG

3. Mit einem fusselfreien Tuch nachtrocknen.

6.2 Wasserlösliche Verunreinigungen beseitigen

- Teile und Werkzeuge**
- 🔧 Sauberes Tuch
 - 🔧 Fusselfreies Tuch

- Vorgehensweise**
1. Ein sauberes Tuch mit Wasser benetzen.
→ Ein mildes Reinigungsmittel kann dem Wasser (kein Lösungsmittel!) zugegeben werden.
 2. Den Bereich mit dem Tuch abwischen.
 3. Mit einem fusselfreien Tuch nachtrocknen.

7 Störungsbeseitigung

Die folgende Tabelle enthält Informationen zum Lösen bekannter Probleme.

Info

Wenn Sie das Problem nicht lösen können oder Sie wegen einer technischen Schwierigkeit unsicher sind, wenden Sie sich bitte an Ihren lokalen ZEISS-Servicevertreter.

| Symptom | Ursache | Behebung und Abhilfe |
|--------------------------------------------------------------------------|--------------------------------------------------------------------------------------------------|-------------------------------------------------------------------------------------------------------------------------------------|
| Das Sehfeld ist nicht vollständig sichtbar | Objektivrevolver mit Objektiv nicht komplett eingerastet. | Objektivrevolver mit Objektiv in Raststellung bringen. |
| | Der Filter ist nicht korrekt auf der Leuchtfeldblende angebracht. | <i>Filter korrekt anbringen [▶ 77].</i> |
| Geringes Auflösungsvermögen und schlechter Bildkontrast | Aperturblende nicht richtig eingestellt. | Aperturblende gemäß der 2/3-Regel oder den Probeneigenschaften einstellen. |
| | Der Kondensator ist nicht korrekt fokussiert. | Kondensator fokussieren. |
| | Es wird eine falsche Deckglasdicke für Durchlichtobjektive verwendet. | Ein Standarddeckglas mit einer Dicke von 0,17 mm verwenden, wenn die Objektive für eine Deckglasdicke von 0,17 m korrigiert werden. |
| | Immersionsobjektive werden ohne oder mit einem ungeeigneten Immersionsöl verwendet. | Immersionsöl 518 N oder 518 F von ZEISS verwenden. |
| | Das Immersionsöl enthält Luftblasen. | Ölvorgang mit frischem Öl wiederholen. |
| | Die Frontlinse eines Trockenobjektivs ist mit Immersionsöl verschmutzt. | Frontlinse des Trockenobjektivs reinigen. |
| | Schmutz oder Staub auf den optischen Flächen von Objektiven, Okularen, Kondensoren oder Filtern. | Entsprechende Komponenten reinigen. |
| Signifikanter Unterschied in der Fokusposition nach dem Objektivwechsel. | Die verstellbaren Okulare sind nicht richtig eingestellt. | Verstellbare Okulare auf die entsprechende Fehlsichtigkeit einstellen. |
| Die LEDs leuchten nicht, wenn der Lichtintensitätsregler gedreht wird. | Netzstecker steckt nicht in der Steckdose. | <i>Netzstecker in die Steckdose einstecken [▶ 75].</i> |
| Probentisch sinkt von selbst ab, Bildschärfe instabil. | Gängigkeit des Grobtriebes zu leicht eingestellt. | Wenden Sie sich an Ihren ZEISS-Servicevertreter. |

8 Außerbetriebnahme und Entsorgung

Dieses Kapitel enthält Informationen zur Außerbetriebnahme und Entsorgung des Mikroskops und seinen Erweiterungen/Komponenten und Zubehörteilen.

8.1 Außerbetriebnahme

Wenn das Mikroskop über einen längeren Zeitraum (z. B. mehrere Monate) nicht genutzt wird, sollte es vollständig abgeschaltet und gegen unbefugten Zugriff gesichert werden. Die vollständige Außerbetriebnahme des Mikroskops sollte von Ihrem ZEISS-Servicevertreter durchgeführt werden.

GEFAHR

Stromschlag durch stromführende Teile

Wenn das Mikroskop noch eingeschaltet ist, kann das Berühren stromführender Teile zu einem Stromschlag oder zu Verbrennungen führen.

- ▶ Mikroskop vor dem Öffnen und Reinigen ausschalten.
- ▶ Stromführende Teile von der Stromversorgung trennen.

- Vorgehensweise**
1. Mikroskop ausschalten.
 2. Netzstecker ziehen.

8.2 Dekontamination

Vor der Rücksendung gebrauchter Gegenstände an einen ZEISS-Standort muss eine Dekontaminationserklärung vorgelegt werden.

Kann keine zuverlässige Dekontamination gewährleistet werden, so muss die Gefahr nach den gültigen Vorschriften gekennzeichnet werden. Im Allgemeinen muss ein gut sichtbares Warnzeichen an dem Gegenstand selbst und außen an der Verpackung zusammen mit ausführlichen Informationen zu der Art der Kontamination angebracht werden.

8.3 Transport und Lagerung

Folgende Vorschriften sind vor und während des Transports zu beachten:

- Kisten müssen beim Transport gesichert sein.
- Kisten nicht hin und her bewegen.
- Die Gewichtsangaben auf der Verpackung und dem Lieferschein sind zu beachten.
- Für den Versand oder Transport ist nach Möglichkeit die Originalverpackung zu verwenden.
- Kisten während des Transports oder der Lagerung nicht fallen lassen und keinen Stößen aussetzen. Jede Beschleunigung muss kleiner als 10 g sein.
- Stoß- und Kippsensoren in der Verpackung bei der Lieferung und nach internen Transporten auswerten.

Maximale Stoßfestigkeit

Zulässige Temperatur

Zulässige Temperatur bei Lagerung vor Ort:

- Zwischen -10 °C und +40 °C
- Relative Luftfeuchtigkeit unter 80 % bei +40 °C

Zulässige Temperatur beim Transport in der Verpackung:

- Zwischen -40 °C und +70 °C

Info

24 Stunden vor der Installation des Mikroskops müssen die Kisten die empfohlene Raumtemperatur haben, um ein Eindringen von Feuchtigkeit zu vermeiden, die sehr schädlich für die optischen Komponenten ist, und um die effektive Stabilität des Mikroskops während der Installation und der Prüfung sicherzustellen.

8.4 Entsorgung

Das Mikroskop und sein Zubehör dürfen nicht als Hausmüll oder über kommunale Entsorgungsunternehmen entsorgt werden. Sie müssen in Übereinstimmung mit den anwendbaren Vorschriften (WEEE-Richtlinie 2012/19/EU) entsorgt werden. ZEISS hat in den Mitgliedsstaaten der Europäischen Union ein Rücknahme- und Recyclingsystem für Geräte eingerichtet, das eine geeignete Verwertung gemäß den genannten EU-Richtlinie sicherstellt.

Eine ordnungsgemäße Dekontamination obliegt dem Kunden.

Info

Detaillierte Informationen bezüglich Entsorgung und Recycling erhalten Sie bei Ihrem ZEISS-Vertriebs- und Servicevertreter.

9 Technische Daten und Konformität

Dieses Kapitel enthält wichtige technische Daten sowie Informationen zur Konformität.

9.1 Angewandte Normen und Vorschriften

Alle allgemeinen und nationalen Sicherheitsvorschriften sowie die geltenden Umweltschutzgesetze und -vorschriften sind zu beachten.

Das Mikroskop erfüllt die Anforderungen der folgenden Verordnungen und Richtlinien:

| | |
|-----------------------------------------|--------------------------------------------------------------------------------------------------------------------------------------------------------------------------|
| 2011/65/EU 2015/836/EU | RoHS-Richtlinie |
| 98/79/EG | IVD-Richtlinie |
| EN 55011 | Störemissionen gemäß CISPR 11 Gruppe 1, Klasse B für den Einsatz in industrieller Umgebung |
| EN 61010-1 und IEC 61010-2-101 | Sicherheitsbestimmungen für elektrische Mess-, Steuer-, Regel- und Laborgeräte |
| DIN EN 61326-1 DIN EN 61326-2-6:2013 | Elektrische Mess-, Steuer-, Regel- und Laborgeräte – EMV-Anforderungen / IVD-Anforderungen |
| EN 62471 | Photobiologische Sicherheit von Lampen und Lampensystemen Einhaltung der Grenzwerte nach EN 62471, Risikogruppe 1 (ausgenommen Risikogruppe, die durch Okular blickt) |

Das Mikroskop und sein Zubehör wurden als Gerät der Kategorie 9 klassifiziert (Laborausrüstung oder vergleichbare Anwendung). Sie entsprechen auch den EU-Richtlinien 2011/65/EU (RoHS) und 2012/19/EU (WEEE), sofern anwendbar.

Europäische und internationale Richtlinien/Normen: Für weitere Informationen zu ISO- und CSA-Zertifikaten oder CE-Konformitätserklärungen wenden Sie sich bitte an Ihren ZEISS Vertriebs- und Servicepartner.

ZEISS arbeitet nach einem zertifizierten Umweltmanagementsystem nach ISO 14001. Das Mikroskop wurde nach den gültigen umweltschutzrechtlichen Vorschriften und Richtlinien der Europäischen Union entwickelt, geprüft und produziert.

9.2 Leistungsdaten und Spezifikationen

Das Mikroskop darf nur in einem geschlossenen Raum betrieben werden. Es wird empfohlen, das Mikroskop in einem dunklen Raum aufzustellen, in dem die Raumbelichtung, das Sonnenlicht oder andere Lichtquellen die Bilderfassung nicht beeinträchtigen können. Das Mikroskop sollte nicht in der Nähe von Fenstern mit direkter Sonneneinstrahlung oder Heizkörpern aufgestellt werden. Der Kunde ist selbst dafür verantwortlich, dass die Aufstellbedingungen für das Mikroskop erfüllt werden und die geforderten Betriebsmittel schon bei der Aufstellung vorhanden sind. Änderungen bleiben aufgrund ständiger technischer Weiterentwicklungen vorbehalten.

Das Mikroskop muss über das mitgelieferte Netzkabel an eine ordnungsgemäß installierte Steckdose mit Schutzkontakt angeschlossen werden. Die Durchgängigkeit des Schutzleiters darf nicht durch die Verwendung von Verlängerungskabeln beeinträchtigt werden.

Info

Die detaillierten Aufstellbedingungen erhalten Sie von Ihrem ZEISS-Vertriebs- und Servicevertreter.

| | | | | | |
|----------------------------------------|-----------------------------|----------------------------------------------------|--------------------|------------------|---------------------|
| Gewicht und Abmessungen | Hauptkomponenten | Länge (mm) | Breite (mm) | Höhe (mm) | Gewicht (kg) |
| | Stativ mit Binokulartubus | 410 | 190 | 395 | 7,7 |
| Klimatisierung und Luftqualität | Betriebstemperaturbereich | 5 bis 40 °C | | | |
| | Relative Luftfeuchtigkeit | < 80 % bei 35 °C | | | |
| | Luftdruck / Höhe | 800 bis 1060 hPa / ≤ 2000 m über dem Meeresspiegel | | | |
| | Verschmutzungsgrad | 2 | | | |
| Steckernetzteil | Nennwechselspannung | L/N 100 to 240 V ± 10 % | | | |
| | Nennfrequenz | 50 / 60 Hz | | | |
| | Netzstecker | Lokaler Netzstecker wird mitgeliefert. | | | |
| | Leistungsaufnahme | Max. 0,8 A | | | |
| | Ausgangsleistung | 12 V DC, max. 2,5 A | | | |
| Netzanschluss | Nenneingangsleistung Stativ | 12 V DC, 2,5 A | | | |
| | Schutzklasse | IP20 (IEC 60529) | | | |
| | Schutzklasse nach IEC | IEC 61140 Klasse III | | | |
| | Überspannungskategorie | II | | | |

9.3 Leistungsdaten und Spezifikationen der optionalen Komponenten

Der Kunde ist dafür verantwortlich, dass die Aufstellbedingungen für das Mikroskop erfüllt sind und dass die erforderliche Ausrüstung zum Zeitpunkt der Aufstellung bereits zur Verfügung steht. Änderungen bleiben aufgrund ständiger technischer Weiterentwicklungen vorbehalten.

| | | |
|------------------------|--------------------------------------------------|-----------|
| LED-Beleuchtung | LED | Weißlicht |
| | Spitzenwellenlänge | 440 nm |
| | LED-Klasse | 1 |
| | Konstante, helligkeitsunabhängige Farbtemperatur | 3200 % |

| | | |
|-------------------------------------|---------------------------------------------------------------|--------------------------------------|
| | Homogenes Leuchtfeld | 20 mm (Durchmesser) |
| | Geeignet für Objektive mit Vergrößerungen von | 4x bis 100x |
| | Analoge Helligkeitseinstellung | Von ca. 15 bis 100 % |
| Stativ mit Tischfokussierung | Grobtrieb | 42 mm pro Umdrehung |
| | Feintrieb | 0,2 mm pro Umdrehung |
| | Gesamthub | 15 mm |
| Objektivrevolver | Objektivwechsel | Manuell über 4-fach-Objektivrevolver |
| | Objektive | Auf unendlich korrigierte Objektive |
| | Anschraubgewinde | W 0,8 |
| Okulare | Tubusgröße | 30 mm |
| | Sehfeldzahl | 20 |
| | Vergrößerung | 10x |
| | Für Brillenträger geeignet | Br. |
| | Fokussierbar | Foc. |
| Probentisch | Typ | Kreuztisch |
| | Abmessungen (Breite x Tiefe) | 140 x 140 mm |
| | Verfahrweg Probentisch (X x Y) | 75 x 40 mm |
| | Koaxialtrieb | Wahlweise rechts oder links |
| | Noniusskalen | Von rechts ablesbar |
| | Probenhalter | Mit Federhebel links |
| Kondensator | Abbe-Kondensator 0,9; Fixed-Köhler | Für V_{obj} 4x bis 100x |
| Beleuchtungsspiegel | Planfläche und sphärische Fläche, bildseitige Brennweite f' | 75 mm |
| Binokulartubus 30°/20 | Maximale Sehfeldzahl | 20 |
| | Pupillenabstand | Einstellbar von 50 bis 75 mm |
| | Einblickwinkel | 30° |
| | Einblickhöhe | 380 bis 415 mm |
| | Visueller Ausgang, Tubusfaktor | 1x |

10 Zubehör und optionale Systemerweiterungen

Nur das folgende Zubehör darf mit dem Mikroskop verwendet werden, da dessen Sicherheit von ZEISS bestätigt wurde. Es dürfen nur Originalteile von ZEISS verwendet werden. Prüfen Sie im Voraus, ob Ihr Mikroskop mit einer Systemerweiterung nachgerüstet werden kann.

Nach der Installation bzw. dem Umbau muss sorgfältig geprüft werden, ob sich das Mikroskop und seine Systemerweiterungen / Komponenten in einem sicheren Betriebszustand befinden und ob nicht benutzte Anschlüsse am Stativ verschlossen sind. Einzelheiten und Sicherheitsmaßnahmen entnehmen Sie bitte den zugehörigen Dokumenten.

Info

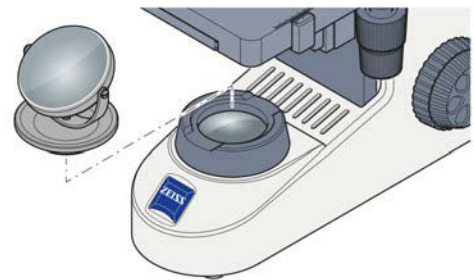
Weitere Informationen und detaillierte Beschreibungen entnehmen Sie den mitgeltenden Unterlagen oder fragen Sie Ihren ZEISS-Vertriebs- und Servicevertreter.

| Bezeichnung | Beschreibung/Info |
|-------------|---------------------------------------------------------------------------------------------------------------------------------------------------------------------------------------------------------------------------------------------------------------------------------------------------------------------------------------------------------------------------------------------------------------------------------------------------------------------------------------------------------------------------------------------------------------------------------------|
| Objektive | Die Leistung der Mikroskopobjektive beeinflusst die Bildqualität Ihres Mikroskops wie keine andere Systemkomponente. Ob Sie mit histologischen Proben, Zellproben oder ganzen Organismen arbeiten – die Eignung von Mikroskopobjektiven für Ihre Anwendung hängt von verschiedenen Faktoren ab. Weitere Informationen zu erhältlichen und empfohlenen Objektiven finden Sie unter https://www.micro-shop.zeiss.com/de/de/shop/objectives oder Sie wenden sich an Ihren ZEISS Vertriebs- & Servicepartner. |
| Spiegel | Wenn keine Steckdose zur Verfügung steht, dient der Spiegel zur Ausleuchtung der Probe. |

10.1 Spiegel einbauen

Funktionsprinzip Der Spiegel dient der Beleuchtung der Probe, falls kein Stromanschluss vorhanden ist.

Vorgehensweise 1. Den Spiegel auf die Halterung der Leuchtblende setzen.



2. Spiegel durch Drehen und Neigen so ausrichten, dass das Tageslicht gleichmäßig in den Strahlengang reflektiert wird.

Zum Ausbau in umgekehrter Reihenfolge vorgehen.

Glossar

Benutzer

Person, die eine Probe unter dem Mikroskop untersucht.

NA

Numerische Apertur

ZEISS

ZEISS ist ein international führendes Technologie-Unternehmen, das in den Bereichen Optik und Optoelektronik tätig ist. Weitere Information über ZEISS finden Sie unter www.zeiss.com.

ZEISS Vertriebs- & Servicepartner

Der Vertriebs- und Servicepartner ist in der Regel im Außendienst für die Kundenbetreuung in einer bestimmten Region und/oder für eine klar definierte Kundengruppe.

ZEISS-Servicevertreter

Besonders ausgebildete Servicefachkraft, entweder Personal von ZEISS oder autorisierter Servicepartner der Firma ZEISS.

Index

A

| | |
|--------------------------------|----|
| Abschalten | 83 |
| Allgemeine Sicherheitshinweise | 66 |
| Anforderungen | |
| An Bediener | 66 |
| Ausschalten | 79 |

B

| | |
|-----------------------------|----|
| Bedienelemente | 71 |
| Bestimmungsgemäßer Gebrauch | 66 |
| Betrieb | |
| Voraussetzungen | 76 |
| Bild | 77 |

D

| | |
|---------------------|----|
| Dekontamination | 83 |
| Durchlicht-Hellfeld | 77 |

E

| | |
|--------------|----|
| Einblickhöhe | 77 |
| Einschalten | 76 |
| Entsorgung | 84 |

F

| | |
|--------|----|
| Filter | 77 |
|--------|----|

G

| | |
|-------------------------|----|
| Gefahren | 67 |
| Prävention | 67 |
| Gewicht und Abmessungen | 86 |

H

| | |
|----------|----|
| Hellfeld | 77 |
|----------|----|

I

| | |
|-----------------------|----|
| Informationsaufkleber | 69 |
|-----------------------|----|

K

| | |
|---------------------------------|----|
| Klimatisierung und Luftqualität | 86 |
| Kontamination | 83 |

L

| | |
|----------------|----|
| Leistungsdaten | 85 |
|----------------|----|

M

| | |
|-----------------------|----|
| Mikroskop anschließen | 75 |
|-----------------------|----|

Montage

| | |
|----------|----|
| Filter | 77 |
| Objektiv | 79 |
| Spiegel | 88 |

N

| | |
|--------------------|----|
| Netzanschluss | 86 |
| Numerische Apertur | 73 |

O

| | |
|-------------------------------|--------|
| Objektiv | 73, 79 |
| Okular | 74 |
| Optionale Systemerweiterungen | 88 |
| Installation | 88 |

P

| | |
|-----------------|----|
| Pupillenabstand | 76 |
|-----------------|----|

R

| | |
|---------------------------------|----|
| Reinigung | |
| Wasserlösliche Verunreinigungen | 81 |

S

| | |
|--------------------------|----|
| Schulung | 67 |
| Sicherer Betriebszustand | 67 |
| Sicherheit | 66 |
| Spiegel | 88 |
| Störungsbeseitigung | 82 |

V

| | |
|-----------------------------------|----|
| Vergrößerungsfaktor des Objektivs | 73 |
| Voraussetzungen | |
| Betrieb | 76 |

W

| | |
|---------------|----|
| Warnaufkleber | 69 |
| Warnung | |
| Aufkleber | 69 |
| Beleuchtung | 69 |
| Wartung | 80 |

Z

| | |
|-----------------|----|
| ZEISS | |
| Portal | 65 |
| Wartungsvertrag | 80 |
| Zubehör | 88 |

Table des matières

| | |
|-----------------------------------------------------------------------------|------------|
| 1 Informations générales | 93 |
| 1.1 Représentation de textes et types de liens | 93 |
| 1.2 Autres documents applicables | 93 |
| 1.3 Explication des avertissements et informations supplémentaires | 94 |
| 1.4 Contact | 95 |
| 2 Sécurité | 96 |
| 2.1 Utilisation conforme | 96 |
| 2.2 Consignes de sécurité générales | 96 |
| 2.2.1 Exigences vis-à-vis de l'exploitant | 97 |
| 2.2.2 Sûreté de fonctionnement | 97 |
| 2.3 Prévention des dangers | 97 |
| 2.3.1 Risques mécaniques | 97 |
| 2.3.2 Risques électriques | 97 |
| 2.3.3 Risques liés à l'environnement de travail | 98 |
| 2.3.4 Risques sur le lieu de travail | 98 |
| 2.3.5 Risques liés aux matériaux et substances | 98 |
| 2.4 Autocollants et voyants d'avertissement | 99 |
| 2.4.1 Signification des autocollants d'avertissement et d'information | 99 |
| 2.4.2 Autocollants d'avertissement et d'information sur le statif | 99 |
| 3 Description du produit et du fonctionnement | 100 |
| 3.1 Composants principaux du Primostar 1 | 100 |
| 3.2 Éléments de commande et indicateurs sur le statif | 101 |
| 3.3 Objectifs | 103 |
| 3.4 Oculaire | 104 |
| 4 Installation | 105 |
| 4.1 Branchement du microscope sur le secteur | 105 |
| 5 Premières étapes d'utilisation | 106 |
| 5.1 Conditions préalables pour la mise en service et l'utilisation | 106 |
| 5.2 Allumer le microscope | 106 |
| 5.3 Réglage de la position des oculaires | 106 |
| 5.4 Installer le filtre bleu | 107 |
| 5.5 Acquisition d'une image | 107 |
| 5.6 Changer d'objectif | 109 |
| 5.7 Éteindre le microscope | 109 |
| 6 Travaux d'entretien et de nettoyage | 110 |
| 6.1 Nettoyer une surface optique | 110 |
| 6.2 Éliminer les salissures solubles dans l'eau | 111 |
| 7 Dépannage | 112 |

| | | |
|-----------|-------------------------------------------------------------------------|------------|
| 8 | Mise hors service et mise au rebut..... | 114 |
| 8.1 | Mise hors service..... | 114 |
| 8.2 | Décontamination | 114 |
| 8.3 | Transport et stockage | 114 |
| 8.4 | Mise au rebut..... | 115 |
| 9 | Caractéristiques techniques et conformité | 116 |
| 9.1 | Normes et réglementations applicables | 116 |
| 9.2 | Données de performance/Spécification | 116 |
| 9.3 | Données de performance et spécifications des composants en option..... | 118 |
| 10 | Accessoires et extensions du système disponibles en option | 120 |
| 10.1 | Installer le miroir | 120 |
| | Glossaire | 121 |
| | Index..... | 122 |

1 Informations générales

Le présent manuel d'utilisation fait partie intégrante du Primostar 1, ci-après dénommé Microscope.

Le présent Manuel d'instructions contient les procédures de base et des indications relatives à la sécurité qui doivent être respectées lors de l'utilisation et de la maintenance. Pour cette raison, le Manuel d'instructions doit être impérativement lu par l'utilisateur avant la mise en service et doit toujours être disponible sur le lieu d'utilisation du Microscope. Le Manuel d'instructions constitue un élément essentiel du Microscope et le Manuel d'instructions doit, en cas de revente, rester avec le Microscope ou être remis au nouveau propriétaire.

1.1 Représentation de textes et types de liens

Les conventions de texte et types de liens énoncés ci-après sont utilisés :

| Convention de texte | Signification |
|-----------------------------------------------------------------------------------------------------------------------------|--------------------------------------------------------------------------------------------------------------------------------------------------------------------------------------------------------------------------|
| Cliquer sur Start . Appuyer sur le bouton-poussoir STANDBY . Appuyer sur [Enter] sur le clavier. | Le nom d'un élément de commande et une information importante sont représentés en caractères gras. |
| Appuyer sur <Ctrl+Alt+Del> | Appuyer en même temps sur plusieurs touches du clavier. |
| Sélectionner Tools > Goto Control Panel > Airlock . | Suivre un chemin d'accès dans le logiciel. |
| <i>Saisie texte</i> | Texte devant être saisi par l'utilisateur |
| Programming and Macros | Ce qui est littéralement saisi lors de la programmation, y compris par exemple un code de macro, des mots-clés, des types de données, des noms de méthodes, des variables, des noms de classes et des noms d'interfaces. |

Tab. 1: Convention de texte

| Type de lien | Signification |
|-----------------------------------------------------------------------------------------------------------|------------------------------------------------------------------|
| Voir : <i>Représentation de textes et types de liens</i> [▶ 93]. | Liens vers des informations supplémentaires sur le sujet actuel. |
| https://www.zeiss.com/corporate/int/home.html | Lien vers un site web sur internet. |

Tab. 2: Types de liens

1.2 Autres documents applicables

Veillez également prendre note des documents suivants :

| | |
|--------------------------------------------------------------------|------------------------------------------------------------------------------------------------------------------------------------------------------------------------------------------------------------------------------------------------------------------------------------------------------------------------------------------------------------------|
| Brochures and Certificats | Des brochures, certificats ISO, certificats CSA et déclarations de conformité UE sont disponibles auprès de votre distributeur et partenaire de service ZEISS. |
| Prescriptions locales et nationales de sécurité et de santé | Les prescriptions locales et nationales en vigueur relatives à la protection de la santé et à la prévention des accidents doivent être respectées lors de tous les travaux sur et avec le Microscope. Veuillez consulter votre Distributeur et partenaire de service ZEISS en cas de conflit entre ces règlements et les exigences d'installation du Microscope. |

| | |
|------------------------------------------------------------|--------------------------------------------------------------------------------------------------------------------------------------------------------------------------------------------------------------------------------------------------------------------------------------|
| Fiches de données de sécurité | Tenir compte des fiches de données de sécurité fournies. Respecter les instructions et les directives figurant sur les fiches de données de sécurité respectives. |
| Composants système et composants tiers, accessoires | Le Microscope peut être configuré de différentes manières. Des informations sur les différents composants, les options et les accessoires peuvent être obtenues auprès de votre Distributeur et partenaire de service ZEISS. Consulter également les documents des fabricants tiers. |

1.3 Explication des avertissements et informations supplémentaires

DANGER, AVERTISSEMENT, ATTENTION et AVIS sont des mots de signalisation standardisés utilisés pour définir les niveaux de dangers et de risques de blessures corporelles et de dommages matériels. Respecter non seulement les consignes de sécurité et les avertissements énoncés au chapitre **Sécurité** mais aussi les consignes de sécurité et les avertissements figurant dans d'autres chapitres. Le non-respect de ces consignes peut entraîner un dommage tant corporel que matériel et la perte de tout droit à des dommages-intérêts.

Les avertissements ci-après indiquant des situations dangereuses et des dangers sont utilisés dans le présent document :

DANGER

Type et source du danger

DANGER indique une situation dangereuse imminente entraînant la mort ou occasionnant de graves blessures si rien n'est fait pour l'éviter.

AVERTISSEMENT

Type et source du danger

AVERTISSEMENT indique une situation potentiellement dangereuse pouvant entraîner la mort ou occasionner de graves blessures si rien n'est fait pour l'éviter.

ATTENTION

Type et source du danger

ATTENTION indique une situation potentiellement dangereuse pouvant occasionner des blessures bénignes ou légères si rien n'est fait pour l'éviter.

AVIS

Type et source du danger

AVIS désigne une situation pouvant s'avérer néfaste. Si rien n'est fait pour l'éviter, un dommage matériel est possible.

Information

Donne des informations supplémentaires ou des explications pour aider les utilisateurs à mieux comprendre le contenu du présent Manuel d'instructions.

1.4 Contact

En cas de questions ou de problèmes, s'adresser directement au distributeur et partenaire de service ZEISS local ou utiliser les adresses suivantes :

Siège social

Téléphone : +49 1803 33 63 34

Fax : +49 3641 64 3439

E-mail : info.microscopy.de@zeiss.com

Cours et formations

E-mail : courses.microscopy.de@zeiss.com

Portail ZEISS

Le portail ZEISS (<https://portal.zeiss.com/>) vous propose divers services visant à simplifier le travail quotidien avec vos systèmes ZEISS (matériel et logiciel). Il est en constante amélioration et évolution pour mieux répondre à vos besoins et exigences.

Distributeur et partenaire de service ZEISS

Trouver le distributeur et partenaire de service Zeiss le plus proche sur <https://www.zeiss.de/mikroskopie/website/forms/sales-and-service-contacts.html>.

Maintenance Allemagne

Téléphone : +49 7364 20 3800

Fax : +49 7364 20 3226

E-mail : service.microscopy.de@zeiss.com

2 Sécurité

Ce chapitre contient des exigences générales pour un travail en toute sécurité. Toute personne qui utilise le Microscope ou est chargée de son installation ou de sa maintenance doit lire et respecter les présentes consignes de sécurité générales. La connaissance des consignes de sécurité essentielles et des prescriptions de sécurité constitue la condition préalable pour la manipulation en toute sécurité et le fonctionnement irréprochable. La sécurité de fonctionnement du Microscope livré est garantie uniquement en cas d'utilisation conforme.

Les activités présentant des risques résiduels sont signalées par une indication concrète aux endroits concernés dans ce document. Un autocollant d'avertissement est apposé sur les éléments dont la manipulation requiert une précaution particulière. Toujours tenir compte des avertissements.

2.1 Utilisation conforme

Le Primostar 1 est un microscope spécialement conçu pour l'enseignement et les analyses de routine.

Les applications typiques comprennent :

- la formation (enseignement, études)
- les laboratoires
- les cabinets médicaux

Une utilisation non conforme peut facilement affecter le fonctionnement du Microscope ou même l'endommager. Le fabricant ne pourra être tenu responsable des dommages causés par une mauvaise utilisation, par négligence ou par des interventions non autorisées, en particulier par le retrait, la modification ou le remplacement de composants sur le Microscope. L'utilisation d'appareils ou de composants d'autres fabricants qui ne sont pas explicitement autorisés par ZEISS est interdite.

2.2 Consignes de sécurité générales

Le présent Manuel d'instructions doit être lu avant la mise en service pour garantir un fonctionnement sûr et permanent. Respecter en particulier toutes les consignes de sécurité énoncées. S'assurer que

- le personnel opérateur a lu, compris et applique les instructions figurant dans le présent Manuel d'instructions, les documents respectifs et surtout toutes les prescriptions et consignes de sécurité.
- les prescriptions de sécurité et de prévention des accidents locales et nationales ainsi que les lois et dispositions en vigueur dans le pays d'utilisation sont respectées.
- le présent Manuel d'instructions est toujours disponible sur le Microscope.
- le Microscope est en parfait état.
- le Microscope est protégé contre tout accès non autorisé.
- les travaux de maintenance et de réparation, les transformations, le retrait ou le remplacement de composants ainsi que d'autres interventions sur le Microscope qui ne sont pas décrites dans le présent Manuel d'instructions sont effectués uniquement par le fabricant ZEISS ou des personnes explicitement autorisées par ZEISS.

2.2.1 Exigences vis-à-vis de l'exploitant

L'utilisation et la maintenance du Microscope, de ses composants et accessoires sont réservées uniquement à du personnel autorisé et formé. Le Microscope ne peut être utilisé que conformément au présent Manuel d'instructions. Une utilisation du Microscope autre que celle décrite peut porter atteinte à la sécurité de l'utilisateur et endommager le Microscope. Une intervention non autorisée ou une utilisation non conforme annule tout droit à la garantie. Les prescriptions régionales en vigueur relatives à la protection de la santé et à la prévention des accidents doivent être respectées à tout moment et lors de tous les travaux sur et avec le Microscope.

Formation Le personnel autorisé de ZEISS offre une formation de base concernant l'utilisation du Microscope ainsi que des informations sur la sécurité de l'appareil et les travaux de maintenance pouvant être effectués par l'utilisateur lui-même. La formation est documentée par ZEISS et l'exploitant doit confirmer qu'elle a été effectuée.

Des formations spéciales et payantes relatives aux applications sont proposées. Les dates actuelles des cours, des informations complémentaires ainsi que l'inscription sont disponibles sur <https://www.zeiss.com/microscopy/int/service-support/training-and-education.html>.

2.2.2 Sûreté de fonctionnement

Si des circonstances compromettant la sécurité et entraînant des changements dans le fonctionnement surviennent, arrêtez immédiatement le Microscope et informez un représentant du service après-vente de ZEISS. N'utilisez le Microscope que s'il a été installé correctement par un Partenaire de service ZEISS et dans le respect des conditions de fonctionnement. N'utilisez le Microscope que s'il a été installé correctement par un Partenaire de service ZEISS et dans le respect des conditions de fonctionnement.

- Ne pas utiliser le Microscope avant d'avoir complètement lu et compris toute la documentation fournie avec le Microscope.
- S'assurer que tous les capots de protection sont installés et que tous les autocollants d'avertissement sont apposés et lisibles.
- S'assurer des conditions et prendre les mesures nécessaires pour éviter l'accumulation de charges électrostatiques au niveau du poste de travail.

2.3 Prévention des dangers

Cette section regroupe les dangers potentiels et les mesures de sécurité recommandées. Le non-respect des consignes de sécurité et des instructions peut entraîner des dommages corporels et/ou matériels.

2.3.1 Risques mécaniques

Damage matériel dû au transport Il existe un risque de blessures ou de dommages matériels si le Microscope n'est pas manipulé et transporté correctement.

- Si disponible, utiliser uniquement la poignée pour transporter le Microscope. Autrement, tenir le Microscope avec une main et la plaque de base avec l'autre.

2.3.2 Risques électriques

Risques liés à la tension électrique En cas de contact avec des éléments sous tension, il y a danger de choc électrique.

Toujours utiliser les adaptateurs secteur fournis par ZEISS. En cas d'utilisation d'un adaptateur secteur inadapté, ZEISS ne peut plus garantir la sécurité électrique ni le fonctionnement du Microscope.

- Éteindre le Microscope.
- Couper l'alimentation électrique avant le nettoyage.
- Mettre le Microscope en place et l'utiliser de manière à ce que les connecteurs soient facilement accessibles.

2.3.3 Risques liés à l'environnement de travail

- Saleté, poussière et humidité** La saleté, la poussière et l'humidité peuvent affecter le fonctionnement du Microscope.
- Lorsqu'il n'est pas utilisé, arrêter le Microscope et placer une housse de protection contre la poussière.
 - Toujours obturer les ouvertures/ports non utilisés.
 - Procéder à un entretien et à un nettoyage réguliers conformément aux instructions énoncées dans le présent document.
 - Veiller à ce qu'aucun liquide de nettoyage ni aucune humidité ne pénètre à l'intérieur du Microscope.
 - Veiller à ce que les pièces électriques n'entrent jamais en contact avec l'humidité.
 - Ne jamais exposer le Microscope à des conditions climatiques inadéquates (humidité et température élevées).

2.3.4 Risques sur le lieu de travail

- Prévention des troubles musculo-squelettiques** Les troubles musculo-squelettiques (TMS) affectent les muscles, les nerfs, les vaisseaux sanguins, les ligaments et les tendons. Les travailleurs de nombreuses industries et professions différentes peuvent être exposés à des facteurs de risque au travail, tels que le fait de soulever des objets lourds, de se pencher, de prendre un objet au-dessus de la tête, de pousser et de tirer des charges lourdes, de travailler dans des postures maladroites et d'effectuer de manière répétitive des tâches identiques ou similaires. Il appartient aux employeurs de fournir un lieu de travail sûr et sain à leurs travailleurs.

2.3.5 Risques liés aux matériaux et substances

- Risques d'infection** Le contact direct avec les oculaires est un vecteur potentiel de transmission d'infections d'origine bactérienne et virale.
- L'utilisation d'oculaires personnels ou d'oculaires peut réduire ce risque. Si les oculaires doivent être désinfectés fréquemment, ZEISS recommande de les utiliser sans œilletons.
 - Pour éviter les infections, il est fortement recommandé d'utiliser un équipement de protection individuelle (EPI), par exemple des gants, pour la manipulation, le nettoyage et la décontamination. Si nécessaire, les gants jetables peuvent être décontaminés à l'aide d'alcool, par exemple, ou doivent être changés fréquemment pour réduire le risque de contamination.
- Risques liés aux consommables** Une mauvaise manipulation des consommables et des produits de nettoyage peut entraîner des dommages matériels ou des blessures de la peau et des yeux. Les consommables qui ne sont pas autorisés par ZEISS peuvent entraîner des dommages matériels. S'adresser à son distributeur et partenaire de service ZEISS pour connaître les consommables pouvant être commandés et pour savoir comment les manipuler.
- Risques liés aux désinfectants** Assurer une ventilation adéquate dans les pièces fermées. En cas de ventilation insuffisante, porter un équipement de protection respiratoire. Éliminer tout résidu nocif. Laisser sécher le dispositif après la désinfection, en particulier après la désinfection des oculaires. Ne pas inhaler les vapeurs. Ne pas manger, boire ou fumer lors de l'utilisation de désinfectants. Éviter le contact avec les yeux et la peau. Retirer les vêtements contaminés et les laver avant de les réutiliser.
- Irritation des yeux, de la peau et du système respiratoire** L'exposition aux produits chimiques et leurs aérosols peut causer des irritations des yeux, de la peau et du système respiratoire. Porter un équipement de protection individuelle approprié (EPI).

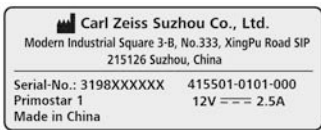



2.4 Autocollants et voyants d'avertissement

Toutes les pièces du Microscope pouvant présenter des dangers particuliers sont indiquées par des autocollants d'avertissement (pictogrammes) apposés sur le Microscope. Ces autocollants d'avertissement indiquent les dangers potentiels pouvant survenir et font partie intégrante du présent Manuel d'instructions. Ils doivent être tenus propres et bien lisibles.

Vérifiez tous les autocollants d'avertissement obligatoires concernant : La disponibilité, la lisibilité, la conformité. Les autocollants d'avertissement détériorés ou illisibles doivent être immédiatement remplacés. Veuillez toujours tenir compte de l'ensemble des autocollants d'avertissement apposés sur le Microscope.

2.4.1 Signification des autocollants d'avertissement et d'information

La signification des différents autocollants d'avertissement est expliquée ci-après :

| Pos. | Symbole | Description |
|------|-------------------------------------------------------------------------------------|------------------------------------------------------------------------------------------------------------------------|
| 1 |  | Plaque signalétique du microscope |
| 2 |  | Surface chaude N'utiliser le microscope que sur une surface stable, solide, lisse et ininflammable (incombustible). |
| 3 |  | Plaque signalétique du microscope |
| 4 |  | Primostar 1 EU Importer Carl Zeiss Microscopy GmbH Carl-Zeiss-Promenade 10 07745 Jena, Allemagne |

2.4.2 Autocollants d'avertissement et d'information sur le statif

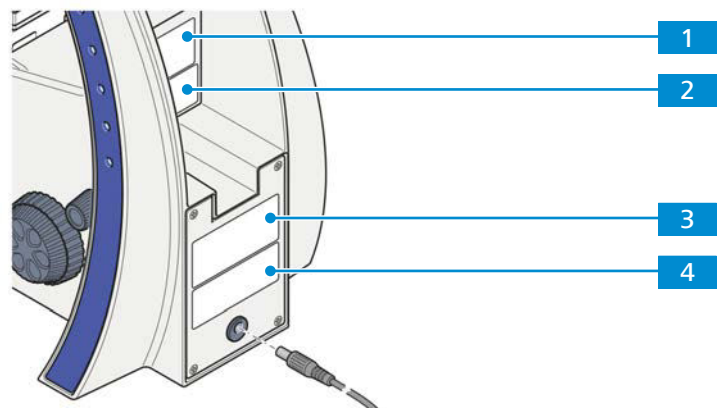


Fig. 1: Position des autocollants d'avertissement et d'information

3 Description du produit et du fonctionnement

Le Primostar 1 est un microscope à lumière transmise au design compact avec un faible encombrement.

Le Primostar 1 est un microscope spécialement développé pour l'enseignement et les analyses de routine. Il se caractérise par une longue durée de vie en fonctionnement continu.

3.1 Composants principaux du Primostar 1

Primostar 1 comporte les principaux composants suivants :

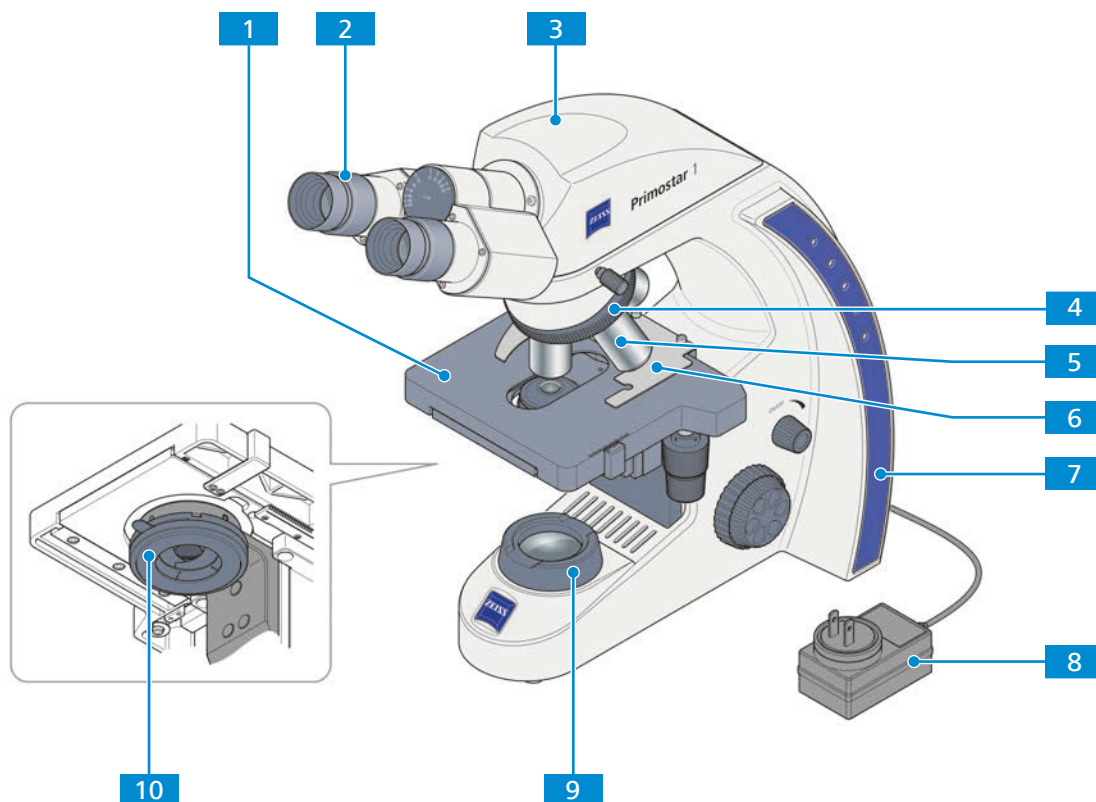


Fig. 2: Principaux composants du Primostar 1

- | | | | |
|----------|-------------------------------|-----------|-------------------------------------------------|
| 1 | Platine | 2 | Oculaire |
| 3 | Tube optique | 4 | Tourelle porte-objectifs |
| 5 | Objectif | 6 | Porte-échantillon |
| 7 | Statif | 8 | Unité d'alimentation électrique |
| 9 | Éclairage à lumière transmise | 10 | Condenseur d'Abbe, éclairage Köhler dans statif |

3.2 Éléments de commande et indicateurs sur le statif

Objectif Les commandes sur le statif permettent de contrôler les principales fonctions du microscope.

Position Les commandes suivantes sont situées sur le côté droit du statif.

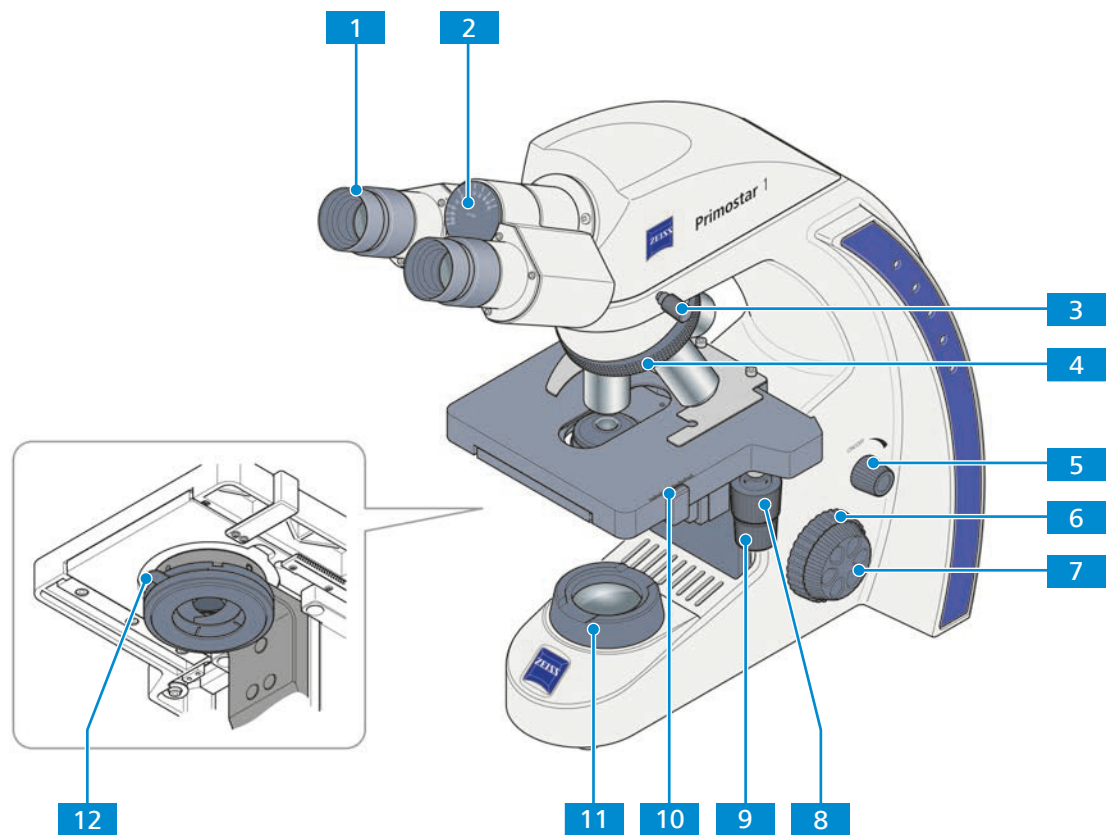


Fig. 3: Commandes sur le côté droit du statif

- | | |
|---------------------------------------------------------------------------------------|---------------------------------------------------------------------------------------|
| 1 Oculaire réglable | 2 Indicateur d'écart interpupillaire |
| 3 Vis de réglage du tube d'observation | 4 Anneau moleté pour tourner la tourelle porte-objectifs |
| 5 Bouton de réglage de l'intensité lumineuse | 6 Bouton de mise au point rapide (côté droit) |
| 7 Guide de mise au point précise (côté droit) | 8 Bouton de commande pour déplacement selon l'axe Y de la platine sans support |
| 9 Bouton de commande pour déplacement selon l'axe X de la platine sans support | 10 Vernier et échelle, affichant la position de l'axe Y de la platine |
| 11 Éclairage à lumière transmise | 12 Levier de réglage du diaphragme d'ouverture du condenseur |

Position Les commandes suivantes sont situées sur le côté gauche du statif.

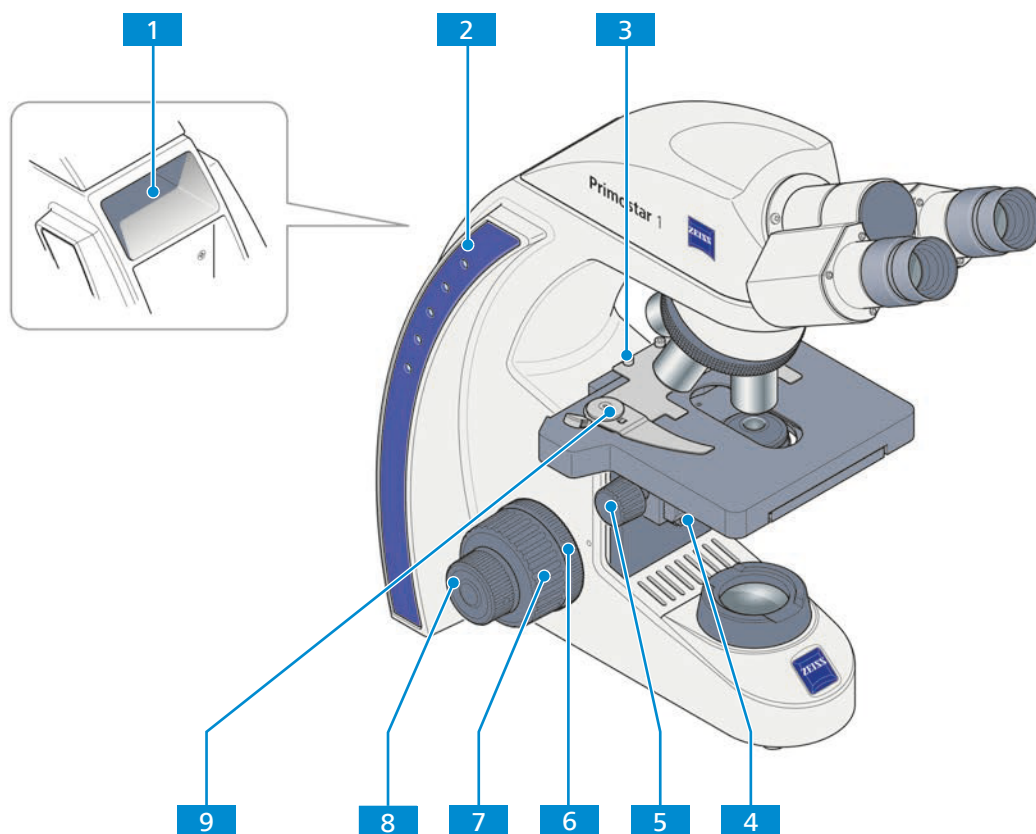


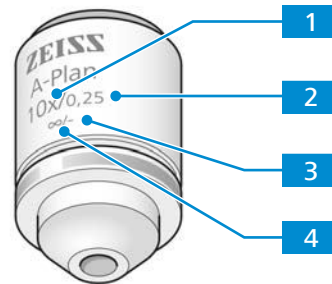
Fig. 4: Commandes sur le côté gauche du statif

- | | |
|------------------------------------------------------------------------|------------------------------------------------------------------------------------------|
| 1 Poignée de transport | 2 Indicateurs d'intensité d'éclairage de la lumière transmise |
| 3 Vis de serrage du porte-échantillon | 4 Vis de réglage pour l'abaissement du condenseur |
| 5 Bouton moleté permettant de régler la hauteur du condenseur | 6 Bouton moleté permettant de régler la fluidité du guide de mise au point rapide |
| 7 Guide de mise au point rapide (côté gauche) | 8 Guide de mise au point précise (côté gauche) |
| 9 Levier du porte-échantillon permettant de fixer l'échantillon | |

3.3 Objectifs

Les caractéristiques fonctionnelles d'un objectif sont indiquées par l'étiquetage correspondant, par exemple

A-Plan 10x/0,25 ∞/-.



1 Grossissement de l'objectif

Le facteur de grossissement spécifie le grossissement de l'objectif. Un grossissement élevé permet de distinguer des détails plus fins sur l'échantillon.

Le facteur de grossissement de l'objectif est également exprimé par l'anneau de couleur de l'objectif, voir le code de couleur de ZEISS.

Le grossissement de l'objectif multiplié par le grossissement de l'oculaire donne le grossissement global.

2 Ouverture numérique (ON)

L'ouverture numérique multipliée par 1 000 représente le grossissement utile maximal ; au-delà de cette limite, aucune résolution supplémentaire n'est fournie.

3 Épaisseur du verre de protection applicable

- : L'objectif peut être utilisé sans verre de protection ou avec un verre de protection d'une épaisseur de 0,17 mm.

0 : L'objectif peut être utilisé sans verre de protection.

0,17 : L'objectif peut être utilisé avec un verre de protection d'une épaisseur de 0,17 mm.

4 Longueur du tube mécanique

L'objectif peut être utilisé avec des tubes de n'importe quelle longueur.

Information

En raison de leur courte distance de travail, les objectifs suivants ont un support élastique (protection des échantillons) :

- ▶ 40x
- ▶ 100x oil

3.4 Oculaire

Objectif Les oculaires servent à observer l'image microscopique.

Position Les oculaires sont insérés dans le tube.

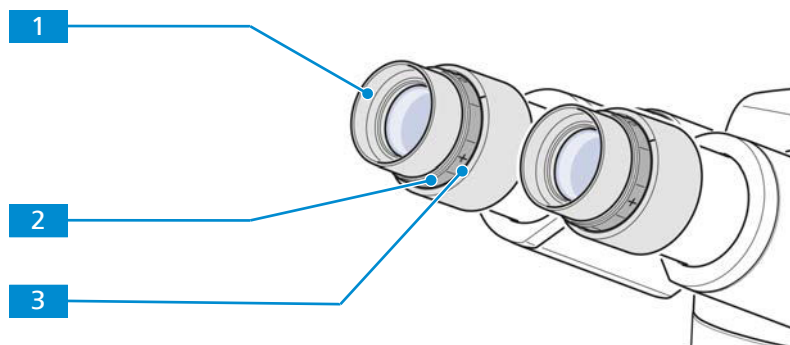


Fig. 5: Oculaire

1 Œillère en caoutchouc rabattable

2 Anneau de mise au point pour la compensation des troubles de la vision

3 Échelle dioptrique facilitant la recherche du réglage approprié

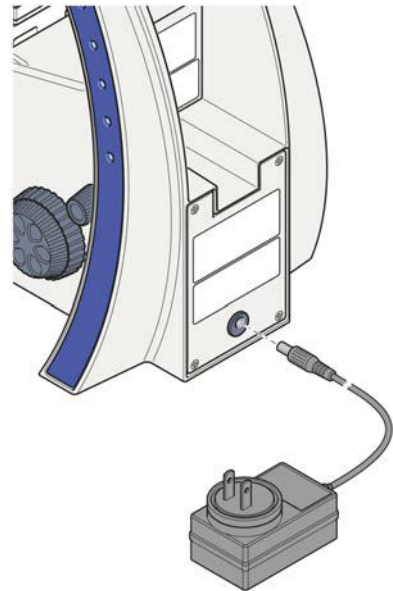
Fonction Les deux oculaires sont adaptés aux porteurs de lunettes. De plus, ils contiennent un anneau de mise au point pour la compensation des troubles de la vision. L'échelle dioptrique fournie permet de trouver le réglage approprié.

4 Installation

Effectuer uniquement les travaux d'installation décrits dans le présent document. Tous les autres travaux d'installation non décrits ci-dessous ne peuvent être effectués que par un représentant de maintenance ZEISS agréé.

4.1 Branchement du microscope sur le secteur

- Procédure**
1. Enlever le bloc d'alimentation secteur du cadre support.
 2. Brancher le bloc d'alimentation secteur sur la prise secteur du microscope.



3. Remplacer l'adaptateur secteur par l'un des adaptateurs spécifiques au pays fournis.
4. Brancher le bloc d'alimentation secteur sur l'alimentation électrique.

5 Premières étapes d'utilisation

Le démarrage et l'arrêt ainsi que les premières étapes d'utilisation du Microscope sont décrits dans ce chapitre.

Information

Pour obtenir des informations complémentaires et des descriptions détaillées, consultez les documents applicables ou demandez conseil à votre distributeur et partenaire de service ZEISS.

Information

Des informations complémentaires sur le logiciel et son utilisation sont disponibles dans l'aide en ligne.

5.1 Conditions préalables pour la mise en service et l'utilisation

Les conditions préalables suivantes sont nécessaires pour mettre en service et utiliser l'appareil :

- Le Manuel d'instructions doit être lu avant la mise en service et l'exploitation de l'appareil et conservé pour toute utilisation ultérieure.
- Le chapitre **Sécurité** doit être lu et compris.
- L'opérateur connaît les programmes généraux fonctionnant sous Windows®.
- Si nécessaire : Participation à une formation de base et à un exposé sur les consignes de sécurité menés à bien.

5.2 Allumer le microscope

Prérequis ✓ *Le microscope est branché sur le secteur [▶ 105].*

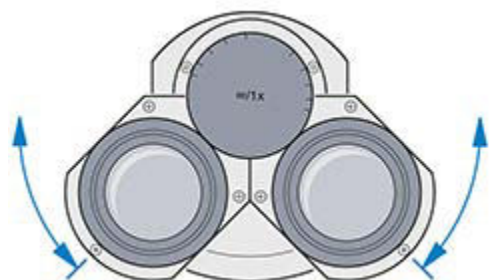
- Procédure**
1. Tourner le régulateur d'intensité d'éclairage.
 2. Régler l'éclairage sur l'intensité souhaitée.
 - L'intensité sélectionnée est indiquée par les diodes électroluminescentes du statif.

5.3 Réglage de la position des oculaires

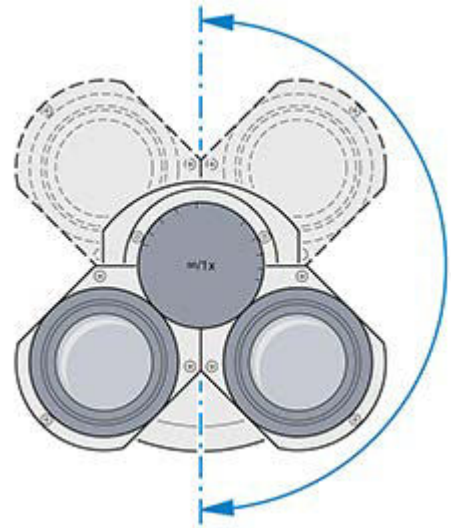
Information

Le réglage de la distance interpupillaire est correct lorsque vous ne voyez qu'une seule image ronde en regardant à travers les deux oculaires.

- Procédure**
1. Faire tourner les tubes oculaires symétriquement l'un vers l'autre ou à l'opposé l'un de l'autre pour régler la distance interpupillaire.

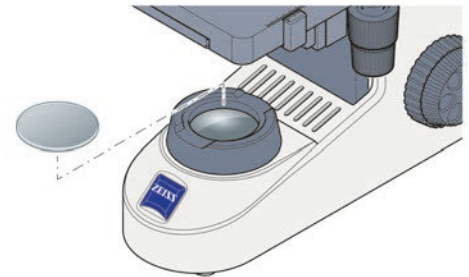


2. Faire pivoter les oculaires de 180° vers le haut ou vers le bas pour régler la hauteur d'observation.



5.4 Installer le filtre bleu

- Procédure** 1. Placer le filtre bleu sur le diaphragme lumineux.



Pour le retirer, procéder dans l'ordre inverse.

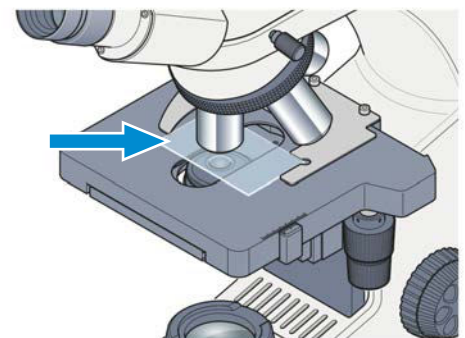
5.5 Acquisition d'une image

Information

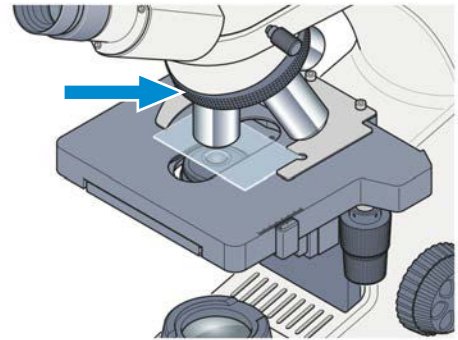
Le microscope est livré réglé en usine

Prérequis ✓ *La position des oculaires est réglée [► 106].*

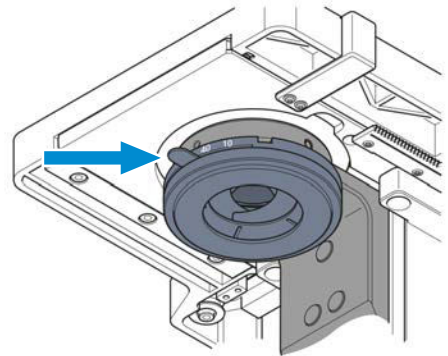
- Procédure** 1. Placez l'échantillon dans le porte-échantillon de la platine mécanique.



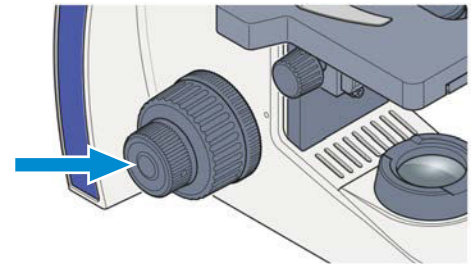
2. Sélectionnez le grossissement souhaité en plaçant l'objectif correspondant dans la trajectoire lumineuse.



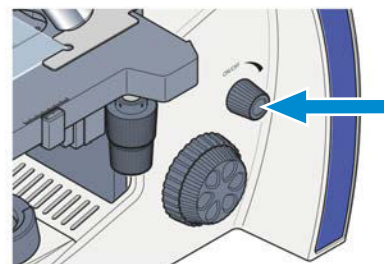
3. Réglez le levier de commande du diaphragme d'ouverture du condenseur sur la valeur de grossissement choisi (**10x**, **40x** ou **100x**).



4. Faites la mise au point sur l'échantillon en utilisant le guide de mise au point.



5. Utilisez le bouton rotatif pour régler l'intensité d'éclairage à un niveau confortable.



5.6 Changer d'objectif

AVIS

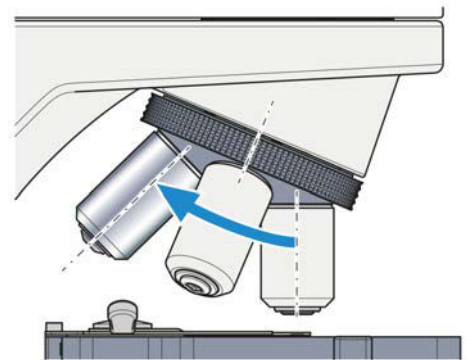
Composants sensibles à la poussière

Si les logements d'objectifs non utilisés du revolver porte-objectifs restent découverts, des particules peuvent pénétrer dans le microscope et endommager définitivement l'optique et la mécanique.

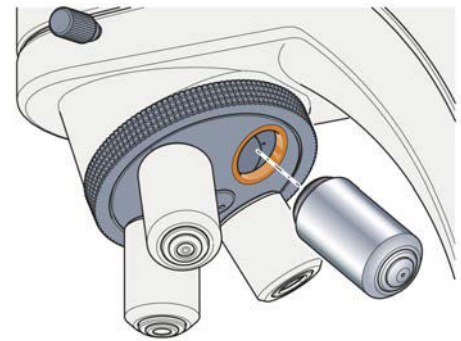
- ▶ Toujours couvrir les logements non utilisés du revolver porte-objectifs à l'aide de capuchons !

Les objectifs doivent être installés dans le sens indiqué dans la figure dans l'ordre croissant de grossissement.

- Procédure**
1. Utiliser le système de mise au point pour déplacer la platine mécanique ou le porte-échantillon complètement vers le bas.
 2. Enlever le capuchon de couverture ou dévisser l'objectif installé de son logement sur le revolver porte-objectifs.



3. Sortir l'objectif de son étui.
4. Visser l'objectif avec précaution dans son logement. Veiller à ce qu'il s'engage correctement dans le filetage du revolver porte-objectifs.



5.7 Éteindre le microscope

- Procédure**
1. Tourner le régulateur d'intensité d'éclairage.
 - Les diodes électroluminescentes s'éteignent.
 2. Couvrir le microscope avec la housse.

6 Travaux d'entretien et de nettoyage

Pour que les performances du Microscope restent optimales, des travaux de maintenance doivent être effectués à intervalles réguliers. Pour garantir la sécurité du fonctionnement et la fiabilité du Microscope, nous vous recommandons de souscrire, à titre préventif, un contrat de maintenance **ZEISS Protect**. Veuillez conserver les protocoles de maintenance de votre Microscope.

DANGER

Choc électrique dû à des éléments sous tension

Lorsque le Microscope est toujours allumé, le contact avec des éléments sous tension peut entraîner un choc électrique ou des brûlures.

- ▶ Éteindre le Microscope avant de l'ouvrir ou de le nettoyer.
- ▶ Débrancher du secteur les éléments sous tension.

AVIS

Dysfonctionnement dû à la saleté et l'humidité

La saleté, la poussière et l'humidité peuvent affecter le fonctionnement du Microscope et entraîner un court-circuit.





- ▶ Placer une housse de protection contre la poussière en cas de non-utilisation du Microscope.
- ▶ Veiller à ce que les fentes de ventilation soient toujours dégagées.
- ▶ Procéder à un entretien et à un nettoyage réguliers conformément aux instructions énoncées dans le présent document et aux instructions figurant dans les documents applicables.
- ▶ Veillez à ce qu'aucun liquide de nettoyage ni aucune humidité ne pénètre à l'intérieur du Microscope.
- ▶ En cas de détériorations, mettre les éléments concernés du Microscope hors service.

6.1 Nettoyer une surface optique

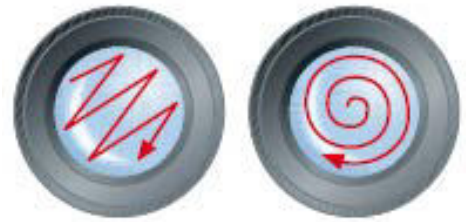
AVIS

Détérioration de la lentille en raison d'un nettoyage non conforme

- ▶ Enlever doucement et avec précaution la poussière de la lentille.
- ▶ Enlever la poussière des surfaces optiques avec une brosse à poils naturels ou la souffler à l'aide d'un soufflet en caoutchouc.

- Pièces et outils**
-  Chiffon propre
 -  Coton-tige
 -  Solution de nettoyage pour l'optique (85 % de n-hexan et 15 % en volume d'isopropanol (IPA))
 -  Chiffon non pelucheux

- Procédure**
1. Humidifier un coton-tige ou un chiffon propre avec une solution de nettoyage pour l'optique si nécessaire.
 2. Essuyer les surfaces optiques en effectuant des mouvements circulaires, du centre jusqu'au bord de l'optique et en appuyant légèrement.



INCORRECT

CORRECT

3. Sécher avec un chiffon non pelucheux.

6.2 Éliminer les salissures solubles dans l'eau

- Pièces et outils**
- 🔧 Chiffon propre
 - 🔧 Chiffon non pelucheux

- Procédure**
1. Humidifier un chiffon propre.
→ Il est également possible d'ajouter un nettoyant doux (pas de solvant !) dans l'eau.
 2. Essuyer la surface avec le chiffon.
 3. Sécher avec un chiffon non pelucheux.

7 Dépannage

Le tableau suivant fournit des informations permettant de résoudre les problèmes les plus courants.

Information

Si vous n'arrivez pas à résoudre le problème ou si vous avez des doutes concernant certaines difficultés techniques, contactez votre représentant du service après-vente de ZEISS local.

| Symptôme | Cause | Mesure |
|-------------------------------------------------------------------------------------------------|------------------------------------------------------------------------------------------------------------|----------------------------------------------------------------------------------------------------------------------------------------------------------|
| Le champ de vision n'est pas complètement visible | Le revolver porte-objectifs avec l'objectif n'a pas été mis en position d'arrêt. | Mettre le revolver porte-objectifs avec l'objectif en position d'arrêt. |
| | Le filtre n'est pas placé correctement sur le diaphragme lumineux. | <i>Placer le filtre correctement</i> [▶ 107]. |
| Faible pouvoir de résolution et mauvais contraste de l'image | Le diaphragme d'ouverture n'est pas réglé correctement. | Régler le diaphragme d'ouverture selon la règle 2/3 ou selon les caractéristiques de l'échantillon. |
| | Le condenseur n'est pas correctement mis au point. | Effectuer la mise au point du condenseur. |
| | Un verre de protection d'une épaisseur incorrecte est utilisé pour les objectifs à lumière transmise. | Utiliser un verre de protection standard d'une épaisseur de 0,17 mm si les objectifs sont corrigés pour une épaisseur de verre de protection de 0,17 mm. |
| | Les objectifs à immersion sont utilisés sans huile d'immersion ou avec une huile d'immersion inappropriée. | Utiliser l'huile d'immersion 518 N ou 518 F de ZEISS. |
| | L'huile d'immersion contient des bulles d'air. | Répéter le processus d'huilage avec de l'huile fraîche. |
| | La lentille frontale d'un objectif à sec est contaminée par de l'huile d'immersion. | Nettoyer la lentille frontale de l'objectif à sec. |
| | Saleté ou poussière sur les surfaces optiques des objectifs, oculaires, condenseurs ou filtres. | Nettoyer les composants optiques respectifs. |
| Différence significative concernant la position de mise au point après avoir changé d'objectif. | Les oculaires de mise au point ne sont pas correctement réglés. | Régler les oculaires de mise au point selon les troubles de la vision correspondants. |

| Symptôme | Cause | Mesure |
|-------------------------------------------------------------------------------------------------------|---------------------------------------------------------------------|-------------------------------------------------------------------|
| La DEL de la source lumineuse ne s'allume pas quand le régulateur d'intensité d'éclairage est tourné. | La fiche secteur n'est pas branchée sur la prise de courant. | <i>Brancher la fiche secteur sur la prise de courant [▶ 105].</i> |
| La platine descend toute seule, la mise au point de l'image est instable. | Le couple ajusté du bouton de mise au point rapide est trop faible. | Contactez le représentant du service après-vente de ZEISS. |

8 Mise hors service et mise au rebut

Ce chapitre contient des indications sur la mise hors service et la mise au rebut du Microscope.

8.1 Mise hors service

Si le Microscope n'est pas utilisé pendant une période prolongée, par ex. durant plusieurs mois, il est recommandé de le mettre totalement hors tension et de le protéger contre tout accès non autorisé. Une mise hors service complète du Microscope devrait être effectuée par le représentant du service après-vente de ZEISS.

DANGER

Choc électrique dû à des éléments sous tension

Lorsque le Microscope est toujours allumé, le contact avec des éléments sous tension peut entraîner un choc électrique ou des brûlures.

- ▶ Éteindre le Microscope avant de l'ouvrir ou de le nettoyer.
- ▶ Débrancher du secteur les éléments sous tension.

- Procédure**
1. Arrêter le Microscope.
 2. Débrancher la fiche de secteur.

8.2 Décontamination

Avant de retourner à ZEISS des objets ayant déjà été utilisés, une déclaration de décontamination doit être présentée.

Si une décontamination fiable ne peut pas être garantie, le danger doit être indiqué conformément aux dispositions légales. En règle générale, une plaque indicatrice nettement visible doit être apposée sur l'article et l'extérieur de l'emballage et doit être accompagnée d'une indication précise du type de contamination.

8.3 Transport et stockage

Les réglementations suivantes doivent être respectées avant et pendant le transport :

- Les boîtes doivent être sécurisées pendant le transport.
 - Éviter de faire balancer les boîtes.
 - Prendre note des données relatives au poids figurant sur le colis et sur le document d'expédition.
 - Dans la mesure du possible, l'emballage d'origine doit être utilisé pour l'expédition ou le transport.
- Résistance maximale aux chocs**
- Ne pas laisser tomber ou heurter les boîtes pendant leur déplacement ou leur stockage. Toute accélération doit être < 10 g.
 - Évaluer les capteurs de chocs et d'inclinaison pour les emballages à la livraison et après le transport interne.
- Température admissible**
- Température admissible lors du stockage sur site :
- Entre -10 °C et +40 °C
 - Humidité relative inférieure à 80 % +40 °C
- Température admissible pendant le transport dans l'emballage :
- Entre -40 °C et +70 °C

Information

24 heures avant l'installation du Microscope, il est nécessaire que les boîtes d'emballage soient à la température ambiante recommandée pour éviter la pénétration d'humidité, qui est très nuisible pour les chemins optiques, et pour assurer la stabilité effective du Microscope pendant l'installation et les essais.

8.4 Mise au rebut

Le Microscope et ses composants ne doivent pas être mis au rebut avec les déchets ménagers ou par les entreprises urbaines de collecte de déchets. Leur mise au rebut doit être effectuée conformément aux dispositions légales (directive DEEE 2012/19/UE). Pour la reprise et le recyclage au sein des états membres de l'Union Européenne, ZEISS a instauré une procédure garantissant la valorisation appropriée conformément aux directives UE énoncées. La décontamination est du ressort du client.

Information

Pour obtenir des informations complémentaires sur la mise au rebut et le recyclage, s'adresser à son distributeur et partenaire de service ZEISS.

9 Caractéristiques techniques et conformité

Ce chapitre comporte les principales caractéristiques techniques ainsi que les données relatives à la conformité.

9.1 Normes et réglementations applicables

Respecter les prescriptions légales et nationales applicables en matière de sécurité et de prévention des accidents ainsi que les lois et dispositions en vigueur concernant la protection de l'environnement.

Le Microscope est conforme aux exigences des prescriptions et directives suivantes :

| | |
|-----------------------------------------|-----------------------------------------------------------------------------------------------------------------------------------------------------------------------------------------------------|
| 2011/65/UE 2015/836/EU | Directive RoHS |
| 98/79/CE | Directive IVD |
| EN 55011 | Émission de bruit selon le CISPR 11 Groupe 1 Classe B Utilisation prévue en milieu industriel |
| EN 61010-1 et CEI 61010-2-101 | Règles de sécurité pour appareils électriques de mesure, de régulation et de laboratoire |
| DIN EN 61326-1 DIN EN 61326-2-6:2013 | Appareils électriques de mesure, de commande et de laboratoire – Exigences relatives à la CEM / exigences IVD |
| EN 62471 | Sécurité photobiologique des lampes et systèmes de lampes Conformité aux valeurs limites d'exposition selon la norme 62471 Classe de risque 1 (classe de risque exemptée à partir de l'oculaire) |

Le Microscope et ses accessoires ont été classés dans la catégorie d'instruments 9 (équipements de laboratoire ou norme comparable). Ils sont également conformes aux règlements de l'UE 2011/65/UE (RoHS) et 2012/19/UE (DEEE), si applicables.

Directives et normes européennes et internationales : Pour plus de détails sur les certificats ISO et CSA et déclarations de conformité CE, veuillez vous adresser à votre distributeur et partenaire de service ZEISS.

ZEISS suit un système de gestion environnementale certifié selon la norme ISO 14001. Le Microscope a été développé, testé et fabriqué conformément aux règlements et directives applicables de la loi sur l'environnement de l'Union européenne

9.2 Données de performance/Spécification

Le Microscope doit être utilisé uniquement dans un local fermé. Il est recommandé d'installer le Microscope dans un local sombre dans lequel l'éclairage intérieur, la lumière du soleil ou d'autres formes d'éclairage ne peuvent pas affecter l'acquisition des images. Le Microscope ne devrait pas être installé à proximité de fenêtres directement exposées au rayonnement solaire ou de radiateurs. Il incombe au client de s'assurer que les conditions d'installation du Microscope sont réunies et que les équipements requis sont disponibles dès l'installation. Sous réserve d'éventuelles modifications dues aux améliorations techniques apportées en permanence.

Le cordon d'alimentation livré du Microscope doit être branché à une prise de courant installée correctement et munie d'un contact de protection. La continuité du conducteur de protection ne doit pas être affectée par l'utilisation de câbles de rallonge.

Information

Les conditions d'installation détaillées sont fournies par votre distributeur et partenaire de service ZEISS.

| | | | | | |
|------------------------------------|---------------------------------------------|---------------------------------------------------------|---------------------|---------------------|-------------------|
| Poids et taille | Composants principaux | Longueur (mm) | Largeur (mm) | Hauteur (mm) | Poids (kg) |
| | Statif avec tube binoculaire | 410 | 190 | 395 | 7,7 |
| Climatisation et qualité | Plage de température pour le fonctionnement | 5 à 40 °C | | | |
| | Humidité relative | < 80 % à 35 °C | | | |
| | Pression atmosphérique / altitude | 800 à 1060 hPa / ≤ 2000 m au-dessus du niveau de la mer | | | |
| | Degré de pollution | 2 | | | |
| Bloc d'alimentation secteur | Tension nominale CA | L/N 100 à 240 V ± 10 % | | | |
| | Fréquence nominale | 50 / 60 Hz | | | |
| | Alimentation électrique | Une prise de courant locale sera fournie. | | | |
| | Puissance absorbée | Max. 0,8 A | | | |
| | Puissance de sortie | 12 V CC, max. 2,5 A | | | |
| Raccordement au réseau | Courant d'entrée nominal du statif | 12 V CC, 2,5 A | | | |
| | Classe de protection | IP20 (IEC 60529) | | | |
| | Classe de protection selon IEC | Classe III de IEC 61140 | | | |
| | Catégorie de surtension | II | | | |

9.3 Données de performance et spécifications des composants en option

Le client doit s'assurer que les conditions d'installation du microscope sont remplies et que l'équipement requis est déjà disponible au moment de l'installation. Sous réserve de modifications dues à l'évolution constante de la technique.

| | | |
|------------------------------------------------|-------------------------------------------------------------------|---------------------------------------|
| Éclairage par DEL | DEL | Lumière blanche |
| | Longueur d'onde de pointe | 440 nm |
| | Classe de DEL | 1 |
| | Température de couleur constante et indépendante de la luminosité | 3200 K |
| | Éclairage en champ homogène | 20 mm (diamètre) |
| | Compatible avec les objectifs avec des grossissements de | 4x à 100x |
| | Réglage analogique de la luminosité à partir de | Environ 15 à 100 % |
| Statif avec mise au point de la platine | Guide de mise au point rapide | 42 mm / rév. |
| | Guide de mise au point précise | 0,2 mm/ rév. |
| | Élévation totale de la platine | 15 mm |
| Revolver porte-objectifs | Changement d'objectif | Manuel via un revolver quadruple |
| | Objectifs | Plage d'objectifs corrigés à l'infini |
| | Raccord fileté | L 0,8 |
| Oculaires | Taille du tube | 30 mm |
| | Numéro de champ de vision | 20 |
| | Grossissement | 10x |
| | Adapté aux porteurs de lunettes | Br. |
| | Focalisable | Foc. |
| Platine porte-échantillon | Type | Sans rack |
| | Dimensions (largeur x profondeur) | 140 x 140 mm |
| | Course de la platine (X x Y) | 75 x 40 mm |
| | Entraînement coaxial | Droite ou gauche en option |
| | Échelle Vernier | Lisible depuis la droite |
| | Porte-échantillons | Avec levier à ressort, à gauche |

| | | |
|------------------------------------|----------------------------------------------|--------------------------|
| Condenseur | Condenseur d'Abbe 0,9 ; Fixed-Köhler | Pour V_{obj} 4x à 100x |
| Miroir d'éclairage | Surface plane et surface sphérique avec f' | 75 mm |
| Tube binoculaire 30°/20 | Numéro de champ de vision maximum | 20 |
| | Distance interpupillaire | Réglable de 50 à 75 mm |
| | Angle du tube | 30° |
| | Hauteur d'observation | 380 à 415 mm |
| | Port d'observation, facteur du tube | 1x |

10 Accessoires et extensions du système disponibles en option

Seuls les accessoires ci-après pour lesquels ZEISS a confirmé que l'état d'utilisation ne constitue aucun risque du point de vue de la sécurité technique peuvent être utilisés avec le Microscope. Seules des pièces d'origine de ZEISS peuvent être utilisées. S'assurer auparavant qu'une extension du système peut être installée sur le Microscope.

Après l'installation ou un changement d'équipement, vérifier soigneusement si le Microscope et ses extensions/composants du système sont en état de fonctionnement sûr et si les ports non affectés du statif sont obturés. Pour obtenir des informations plus détaillées et des informations sur les mesures de sécurité, consulter les documents respectifs.

Information

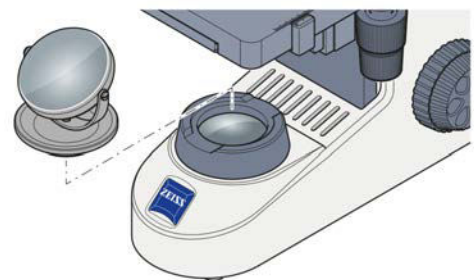
Pour obtenir des informations complémentaires et des descriptions détaillées, consultez les documents applicables ou demandez conseil à votre distributeur et partenaire de service ZEISS.

| Désignation | Description/Info |
|-------------|---------------------------------------------------------------------------------------------------------------------------------------------------------------------------------------------------------------------------------------------------------------------------------------------------------------------------------------------------------------------------------------------------------------------------------------------------------------------------------------------------------------------------------------------------------------------------------------------------------------------------------------------------------------|
| Objectifs | La performance des objectifs de microscope détermine la qualité des images du microscope comme aucun autre composant de l'appareil. Que le travail soit effectué avec des échantillons histologiques, des échantillons de cellules ou des organismes entiers, le choix du meilleur objectif de microscope pour une application dépend de différents facteurs. Pour de plus amples informations concernant les objectifs disponibles et recommandés, veuillez consulter https://www.micro-shop.zeiss.com/de/de/shop/objectives ou adressez-vous à votre technico-commercial ZEISS. |
| Miroir | Le miroir sert à éclairer l'échantillon lorsqu'aucune prise de courant n'est disponible. |

10.1 Installer le miroir

Fonction Le miroir sert à éclairer l'échantillon si aucune prise de courant n'est disponible.

Procédure 1. Placer le miroir sur le support du diaphragme lumineux.



2. Faire pivoter et incliner le miroir jusqu'à ce que la lumière du jour soit réfléchi de manière homogène dans la trajectoire lumineuse.

Pour le retirer, procéder dans l'ordre inverse.

Glossaire

Distributeur et partenaire de service ZEISS

Le distributeur et partenaire de service agit généralement sur le terrain pour le service à la clientèle dans une certaine région et/ou pour un groupe de clients clairement défini.

ON

Ouverture numérique

Représentant de maintenance ZEISS

Professionnel de la maintenance spécialement formé, soit faisant partie du personnel de ZEISS, soit partenaire de maintenance autorisé de ZEISS.

Utilisateur

Personne qui examine un échantillon au microscope.

ZEISS

ZEISS est une entreprise technologique de premier plan au niveau international qui opère dans les domaines de l'optique et de l'optoélectronique. De plus amples informations sur ZEISS sont disponibles à l'adresse suivante : www.zeiss.com.

Index

A

| | |
|------------------------------|-----|
| Accessoires | 120 |
| Allumage | 106 |
| Arrêt complet | 114 |
| Autocollants d'avertissement | 99 |
| Autocollants d'information | 99 |
| Avertissement | |
| Autocollants | 99 |
| Voyants | 99 |

B

| | |
|---------------------------|-----|
| Branchement du microscope | 105 |
|---------------------------|-----|

C

| | |
|---------------------------------|-----|
| Climatisation et qualité | 117 |
| Commandes | 101 |
| Conditions préalables | |
| Fonctionnement | 106 |
| Consignes de sécurité générales | 96 |
| Contamination | 114 |

D

| | |
|--------------------------|-----|
| Décontamination | 114 |
| Dépannage | 112 |
| Distance interpupillaire | 106 |
| Données de performance | 116 |

E

| | |
|---------------------------------------------|-----|
| Exigences | |
| Vis-à-vis de l'exploitant | 97 |
| Extensions du système disponibles en option | |
| Installation | 120 |
| Installation | 120 |

F

| | |
|-----------------------------------|-----|
| Facteur de zoom objectif | 103 |
| Filtre | 107 |
| Fonctionnement | |
| Conditions préalables | 106 |
| Fond clair | 107 |
| Fond clair avec lumière transmise | 107 |
| Formation | 97 |

H

| | |
|-----------------------|-----|
| Hauteur d'observation | 107 |
|-----------------------|-----|

I

| | |
|-------|-----|
| Image | 107 |
|-------|-----|

Installation

| | |
|----------|-----|
| Filtre | 107 |
| Miroir | 120 |
| Objectif | 109 |

M

| | |
|-------------------|-----|
| Maintenance | 110 |
| Miroir | 120 |
| Mise au rebut | 115 |
| Mise hors tension | 109 |

N

| | |
|--------------------------------|-----|
| Nettoyage | |
| Salissures solubles dans l'eau | 111 |

O

| | |
|---------------------|----------|
| Objectif | 103, 109 |
| Oculaire | 104 |
| Ouverture numérique | 103 |

P

| | |
|-----------------|-----|
| Poids et taille | 117 |
|-----------------|-----|

R

| | |
|------------------------|-----|
| Raccordement au réseau | 117 |
| Risques | 97 |
| Prévention | 97 |

S

| | |
|--------------------------|----|
| Sécurité | 96 |
| Sûreté de fonctionnement | 97 |

U

| | |
|----------------------|----|
| Utilisation conforme | 96 |
|----------------------|----|

Z

| | |
|-------------------------|-----|
| ZEISS | |
| Contrats de maintenance | 110 |
| Portail | 95 |

Sommario

| | | |
|----------|-----------------------------------------------------------------------|------------|
| 1 | Informazioni generali..... | 125 |
| 1.1 | Convenzioni testuali e tipi di collegamento..... | 125 |
| 1.2 | Altri documenti applicabili..... | 125 |
| 1.3 | Spiegazione dei messaggi di avvertenza e ulteriori informazioni | 126 |
| 1.4 | Contatti | 127 |
| 2 | Sicurezza..... | 128 |
| 2.1 | Uso previsto..... | 128 |
| 2.2 | Informazioni di sicurezza generali..... | 128 |
| 2.2.1 | Requisiti del gestore..... | 128 |
| 2.2.2 | Condizioni di funzionamento sicuro | 129 |
| 2.3 | Prevenzione di pericoli | 129 |
| 2.3.1 | Rischi meccanici | 129 |
| 2.3.2 | Rischi elettrici..... | 129 |
| 2.3.3 | Rischi generati dall'ambiente operativo | 129 |
| 2.3.4 | Rischi ergonomici..... | 130 |
| 2.3.5 | Rischi generati da materiali e sostanze | 130 |
| 2.4 | Etichette e spie di avvertenza | 130 |
| 2.4.1 | Significato delle etichette di avvertimento e informative..... | 131 |
| 2.4.2 | Etichette di avvertimento e informative sul supporto | 131 |
| 3 | Descrizione del prodotto e del funzionamento | 132 |
| 3.1 | Componenti principali di Primostar 1..... | 132 |
| 3.2 | Elementi di comando e indicatori sul supporto | 133 |
| 3.3 | Obiettivi | 135 |
| 3.4 | Oculare..... | 136 |
| 4 | Installazione..... | 137 |
| 4.1 | Collegamento del microscopio alla rete elettrica..... | 137 |
| 5 | Messa in servizio e prime fasi operative..... | 138 |
| 5.1 | Prerequisiti per la messa in servizio e l'utilizzo | 138 |
| 5.2 | Accensione del microscopio | 138 |
| 5.3 | Regolazione della posizione degli oculari..... | 138 |
| 5.4 | Installazione del filtro blu | 139 |
| 5.5 | Acquisizione di un'immagine..... | 139 |
| 5.6 | Cambio degli obiettivi | 141 |
| 5.7 | Spegnimento del microscopio | 141 |
| 6 | Lavori di cura e pulizia | 142 |
| 6.1 | Pulizia di una superficie ottica | 142 |
| 6.2 | Eliminazione di impurità solubili in acqua | 143 |
| 7 | Risoluzione dei problemi..... | 144 |

| | | |
|-----------|---------------------------------------------------------------|------------|
| 8 | Messa fuori servizio e smaltimento..... | 146 |
| 8.1 | Messa fuori servizio..... | 146 |
| 8.2 | Decontaminazione..... | 146 |
| 8.3 | Trasporto e stoccaggio..... | 146 |
| 8.4 | Smaltimento..... | 147 |
| 9 | Dati tecnici e conformità..... | 148 |
| 9.1 | Norme e regolamenti applicabili..... | 148 |
| 9.2 | Dati sulle prestazioni/specifiche..... | 148 |
| 9.3 | Dati prestazionali e specifiche dei componenti opzionali..... | 150 |
| 10 | Accessori ed espansioni di sistema opzionali..... | 152 |
| 10.1 | Installazione dello specchio..... | 152 |
| | Glossario..... | 153 |
| | Indice..... | 154 |

1 Informazioni generali

Queste istruzioni per l'uso sono parte integrante del Primostar 1. Nelle parti seguenti è denominato Microscopio.

Il presente Manuale di istruzioni contiene passaggi basilari e informazioni di sicurezza da osservare durante il funzionamento e la manutenzione. Pertanto il Manuale di istruzioni deve essere assolutamente letto da parte del personale prima della messa in servizio e deve essere sempre disponibile presso il luogo di impiego del Microscopio. Il presente Manuale di istruzioni è una componente fondamentale del Microscopio. In caso di vendita del Microscopio, il Manuale di istruzioni non deve essere separato dal Microscopio o deve essere consegnato all'acquirente.

1.1 Convenzioni testuali e tipi di collegamento

Nel presente documento si utilizzano le convenzioni testuali e i tipi di collegamento descritti di seguito:

| Convenzione testuale | Significato |
|--------------------------------------------------------------------------------------------------------------|---------------------------------------------------------------------------------------------------------------------------------------------------------------------------------------------|
| Cliccare su Start . Premere il pulsante STANDBY . Premere [Enter] sulla tastiera. | I nomi degli elementi di controllo e le informazioni importanti vengono rappresentati in grassetto. |
| Premere <Ctrl + Alt + Del> | Premere contemporaneamente più tasti sulla tastiera. |
| Selezionare Tools > Goto Control Panel > Airlock . | Seguire un percorso nel software. |
| <i>Immissione testo</i> | Il testo che deve essere immesso dall'utente |
| Programming and Macros | Testo che viene letteralmente digitato durante la programmazione, incluso ad es. codici macro, parole chiave, tipi di dati, nomi di metodi, variabili, nomi di classi e nomi di interfacce. |

Tav. 1: Convenzione testuale

| Tipo di collegamento | Significato |
|-----------------------------------------------------------------------------------------------------------|--------------------------------------------------------------------|
| Vedi: <i>Convenzioni testuali e tipi di collegamento</i> [▶ 125]. | Collegamento a ulteriori informazioni relative a questo argomento. |
| https://www.zeiss.com/corporate/int/home.html | Collegamento a un sito web su internet. |

Tav. 2: Tipi di collegamento

1.2 Altri documenti applicabili

Si prega di prendere nota anche dei seguenti documenti:

| | |
|-------------------------------------------------------|-----------------------------------------------------------------------------------------------------------------------------------------------------------------------------------------------------------------------------------------------------------------------------|
| Brochure e certificati | Per brochure, certificati ISO, certificati CSA e dichiarazioni di conformità UE rivolgersi al proprio partner commerciale e di assistenza ZEISS . |
| Norme di salute e sicurezza locali e nazionali | Si devono osservare le norme di salute e sicurezza locali e nazionali per il sito e l'uso del Microscopio. Consultare il proprio partner commerciale e di assistenza ZEISS nel caso in cui dette norme siano in conflitto con i requisiti di installazione del Microscopio. |

- Schede dati di sicurezza** Osservare le schede dati di sicurezza fornite. È necessario attenersi alle istruzioni e linee guida contenute nelle rispettive schede dati di sicurezza.
- Sistema e componenti di terze parti, accessori** Il Microscopio può essere configurato in diversi modi. Per informazioni relative a singoli componenti, migliorie e accessori, rivolgersi al proprio partner commerciale e di assistenza ZEISS. Fare riferimento anche alla documentazione di terze parti del fabbricante.

1.3 Spiegazione dei messaggi di avvertenza e ulteriori informazioni

PERICOLO, AVVERTENZA, ATTENZIONE e AVVISO rappresentano le parole di segnalazione standardizzate per determinare i livelli di pericolo e rischio per danni a persone e cose. Non devono essere osservati soltanto i messaggi di sicurezza e avvertenza riportati nel capitolo **Sicurezza**, bensì anche tutti quelli contenuti in altri capitoli. La non osservanza di queste indicazioni può causare danni a persone o cose così come la perdita di qualsiasi diritto di risarcimento danni.

Nel presente documento vengono utilizzati i seguenti messaggi di avvertenza relativi a situazioni di pericolo e rischi.

PERICOLO

Tipo e fonte di pericolo

PERICOLO indica una situazione potenzialmente pericolosa che, se ignorata, porta a serie lesioni personali o alla morte.

AVVERTENZA

Tipo e fonte di pericolo

AVVERTENZA indica una situazione potenzialmente pericolosa che, se ignorata, può portare a serie lesioni personali o alla morte.

ATTENZIONE

Tipo e fonte di pericolo

ATTENZIONE indica una situazione potenzialmente pericolosa che, se ignorata, può portare a lesioni minori o modiche.

AVVISO

Tipo e fonte di pericolo

AVVISO segnala una situazione potenzialmente dannosa che, se ignorata, può portare a danni materiali.

Informazioni

Indica informazioni o spiegazioni aggiuntive che aiutano gli utenti a comprendere meglio il contenuto del presente Manuale di istruzioni.

1.4 Contatti

In caso di domande o problemi, rivolgersi direttamente al proprio partner commerciale e di assistenza ZEISS locale oppure utilizzare i seguenti indirizzi:

Sede centrale

| | |
|-----------|------------------------------|
| Telefono: | +49 1803 33 63 34 |
| Fax: | +49 3641 64 3439 |
| E-mail: | info.microscopy.de@zeiss.com |

Corsi e formazione

| | |
|---------|---------------------------------|
| E-mail: | courses.microscopy.de@zeiss.com |
|---------|---------------------------------|

Portale ZEISS

Il portale ZEISS (<https://portal.zeiss.com/>) offre vari servizi che semplificano il lavoro quotidiano con i sistemi ZEISS (macchine e software). Esso viene sottoposto a costante miglioramento e ampliamento per meglio soddisfare i requisiti e i bisogni.

Partner commerciale e di assistenza ZEISS

Per trovare un partner commerciale e di assistenza ZEISS nelle proprie vicinanze, andare su <https://www.zeiss.de/mikroskopie/website/forms/sales-and-service-contacts.html>.

Assistenza Germania

| | |
|---------|---------------------------------|
| Phone: | +49 7364 20 3800 |
| Fax: | +49 7364 20 3226 |
| E-mail: | service.microscopy.de@zeiss.com |

2 Sicurezza

Il presente capitolo contiene i requisiti generali per lavorare in modo sicuro. Chiunque utilizzi il Microscopio o sia stato incaricato di eseguirne l'installazione e la manutenzione, deve leggere e osservare le indicazioni di sicurezza generali ivi contenute. La conoscenza delle indicazioni e prescrizioni di sicurezza di base rappresenta la condizione fondamentale per un utilizzo sicuro e un funzionamento corretto. Solo in caso di uso conforme allo scopo previsto è possibile garantire la sicurezza operativa del Microscopio fornito.

Se sussistono rischi residui associati a determinate attività, questo viene segnalato nel presente documento in corrispondenza dei punti interessati attraverso un avviso concreto. Sulle parti che devono essere manipolate con un'attenzione particolare è applicata un'etichetta di avvertenza. Queste avvertenze devono essere sempre osservate.

2.1 Uso previsto

Il Primostar 1 è un microscopio progettato appositamente per uso didattico e di routine.

Le applicazioni tipiche includono:

- uso didattico (insegnamento, studio)
- laboratori
- studi medici

L'uso improprio può facilmente portare alla compromissione della sua funzione o addirittura al danneggiamento del Microscopio. Il costruttore non può essere ritenuto responsabile di danni causati da uso improprio, negligenza o intervento non autorizzato, in particolare in caso di rimozione, modifica o sostituzione di parti del Microscopio. È vietato l'uso di dispositivi o componenti di terze parti non espressamente approvati da ZEISS.

2.2 Informazioni di sicurezza generali

Il presente Manuale di istruzioni deve essere letto prima della messa in servizio per poter garantire un funzionamento sicuro e senza interruzioni. Prestare particolare attenzione a tutte le note sulla sicurezza elencate. Assicurarsi che

- gli operatori abbiano letto e compreso il presente Manuale di istruzioni, la documentazione correlata e in particolare tutte le norme e istruzioni di sicurezza e che le applichino;
- vengano osservate le norme di sicurezza e antinfortunistiche locali e nazionali, così come le leggi e i regolamenti vigenti nel proprio paese;
- il presente Manuale di istruzioni sia sempre disponibile presso il Microscopio;
- il Microscopio sia in condizioni perfette;
- il Microscopio sia protetto contro l'accesso da parte di non autorizzati;
- gli interventi di manutenzione e riparazione, il retrofit, la rimozione o sostituzione di componenti, così come qualsiasi altro intervento al Microscopio non descritto nel presente Manuale di istruzioni, vengano eseguiti esclusivamente dal produttore ZEISS o da personale espressamente autorizzato da ZEISS.

2.2.1 Requisiti del gestore

Soltanto il personale autorizzato e formato può utilizzare ed eseguire la manutenzione del Microscopio, così come dei rispettivi componenti e accessori. Il Microscopio può essere utilizzato solo come descritto nel presente Manuale di istruzioni. Se il Microscopio viene utilizzato diversamente da quanto descritto, è possibile che la sicurezza dell'utente venga compromessa e che il Microscopio venga danneggiato. In caso di intervento non autorizzato o di uso non conforme allo scopo previsto, decade qualsiasi diritto di garanzia. In qualsiasi momento e durante tutte le operazioni che coinvolgono il Microscopio, è necessario attenersi ai regolamenti regionali in materia di tutela della salute e prevenzione di infortuni.

Formazione Il personale ZEISS autorizzato offrirà un corso di formazione di base sul funzionamento del Microscopio. Oltre a informazioni sulla sicurezza delle apparecchiature e sui lavori di manutenzione che possono essere svolti dall'operatore. Il corso di formazione viene documentato da ZEISS e il gestore deve confermarne l'esecuzione.

Vengono offerti a pagamento anche corsi di formazione applicativi speciali. L'iscrizione può essere effettuata alla pagina <https://www.zeiss.com/microscopy/int/service-support/training-and-education.html>, dove sono anche riportate le date attuali dei corsi e ulteriori informazioni.

2.2.2 Condizioni di funzionamento sicuro

Se si verificano situazioni che compromettono la sicurezza e causano cambiamenti nel comportamento di esercizio, spegnere immediatamente il Microscopio e informare un rappresentante dell'assistenza ZEISS. Il Microscopio può essere utilizzato solo dopo una corretta installazione da parte di un Rappresentante assistenza ZEISS e nel rispetto delle condizioni di esercizio. Il Microscopio può essere utilizzato solo dopo una corretta installazione da parte di un Rappresentante assistenza ZEISS e se le condizioni di esercizio sono rispettate.

- Non utilizzare il Microscopio prima di aver letto e compreso completamente l'intera documentazione consegnata con il Microscopio.
- Assicurarci che tutti i ripari siano installati e che tutte le etichette di avvertimento siano disponibili e leggibili.
- Assicurare condizioni e adottare misure tali da prevenire l'accumulo di cariche elettrostatiche sulla postazione di lavoro.

2.3 Prevenzione di pericoli

Questa sezione riassume i possibili pericoli e le precauzioni di sicurezza consigliate. La non osservanza delle indicazioni di sicurezza e delle istruzioni può causare lesioni personali e danni materiali.

2.3.1 Rischi meccanici

Danni alle cose dovuti al trasporto Rischio di lesioni e danni alle cose in caso di manipolazione e trasporto non appropriati del Microscopio.

- Utilizzare solo la maniglia, se disponibile, per trasportare il Microscopio. In caso contrario, tenere il Microscopio con una mano e la piastra di base con l'altra.

2.3.2 Rischi elettrici

Rischi da tensione elettrica Rischio di scosse elettriche in caso di contatto con parti sotto tensione.

Utilizzare sempre l'alimentatore fornito da ZEISS. Se si utilizza un alimentatore non idoneo, ZEISS non può più garantire la sicurezza elettrica e la funzionalità del Microscopio.

- Spegnere il Microscopio.
- Scollegare l'alimentazione elettrica prima della pulizia.
- Configurare e utilizzare il Microscopio in modo che i connettori siano facilmente accessibili.

2.3.3 Rischi generati dall'ambiente operativo

Sporco, polvere e umidità Sporco, polvere e umidità possono compromettere il funzionamento del Microscopio.

- Spegnere il Microscopio quando non viene utilizzato e coprirlo con una copertura antipolvere.
- Coprire sempre le aperture/porte non utilizzate.
- Eseguire le operazioni di manutenzione e pulizia regolarmente in base alle istruzioni contenute nel presente documento.
- Assicurarci che all'interno del Microscopio non penetrino né liquidi di pulizia né umidità.

- Accertarsi che le parti elettriche non entrino mai a contatto con l'umidità.
- Non esporre mai il Microscopio a condizioni climatiche non accettabili (umidità e temperature elevate).

2.3.4 Rischi ergonomici

Prevenzione di patologie muscolo-scheletriche Le patologie muscolo-scheletriche (MSD) colpiscono muscoli, nervi, vasi sanguigni, legamenti e tendini. I lavoratori dei settori più diversi possono essere esposti a fattori di rischio sul posto di lavoro, come sollevare carichi pesanti, piegarsi, allungarsi oltre la testa, spingere e tirare carichi pesanti, lavorare in posizioni scomode ed eseguire le stesse operazioni od operazioni simili in modo ripetitivo. I datori di lavoro sono responsabili di garantire un posto di lavoro sicuro per i loro dipendenti, anche dal punto di vista della salute.

2.3.5 Rischi generati da materiali e sostanze

- Rischi di infezione** Il contatto diretto con gli oculari può costituire una potenziale via di trasmissione delle infezioni batteriche e virali.
- È possibile ridurre il rischio utilizzando oculari o conchiglie oculari personali. Se è necessario disinfettare spesso gli oculari, ZEISS consiglia di utilizzare oculari senza conchiglie oculari.
 - Per evitare le infezioni, è vivamente consigliato utilizzare dispositivi di protezione individuale (DPI), ad esempio guanti per l'utilizzo, la pulizia e la decontaminazione. È possibile decontaminare i guanti monouso, ad esempio con alcol, se necessario; in alternativa, devono essere cambiati spesso per ridurre al minimo il rischio di contaminazione.
- Pericoli dovuti a materiali di consumo** Un utilizzo non corretto dei materiali di consumo e degli agenti detergenti può portare a danni materiali o a lesioni alla pelle e agli occhi. Materiali di consumo non approvati da ZEISS possono causare danni materiali. Per sapere quali materiali di consumo possono essere ordinati e per informazioni sul loro utilizzo, rivolgersi al proprio partner commerciale e di assistenza ZEISS.
- Pericoli legati all'utilizzo di disinfettanti** Garantire una ventilazione adeguata negli spazi chiusi. In caso di ventilazione insufficiente, indossare equipaggiamento protettivo individuale di respirazione. Rimuovere qualsiasi residuo pericoloso. Attendere che il dispositivo si asciughi una volta disinfettato, in particolare dopo aver disinfettato gli oculari. Non inalare vapori. Mentre si utilizzano disinfettanti, non mangiare, né bere o fumare. Evitare il contatto con gli occhi e la pelle. Rimuovere i capi di abbigliamento contaminati e lavarli prima di riutilizzarli.
- Irritazione di occhi, pelle e vie respiratorie** L'esposizione alle sostanze chimiche e ai loro aerosol può causare irritazioni degli occhi, della pelle e delle vie respiratorie. Utilizzare adeguati dispositivi di protezione individuale (DPI).

2.4 Etichette e spie di avvertenza

Tutte le parti del Microscopio che possono comportare rischi specifici sono contrassegnate con etichette di avvertimento aggiuntive (pittogrammi) sul Microscopio. Queste etichette di avvertimento indicano potenziali rischi e sono parte integrante di questo Manuale di istruzioni. Devono essere mantenute in condizioni pulite e facilmente leggibili.

Controllare che tutte le etichette di avvertimento obbligatorie siano disponibili, leggibili e corrette. Le etichette di avvertimento danneggiate o illeggibili devono essere sostituite immediatamente. Attenersi sempre a tutte le etichette di avvertimento sull'intero Microscopio.

2.4.1 Significato delle etichette di avvertimento e informative

Il significato delle singole etichette di avvertimento è spiegato di seguito:

| Pos. | Simbolo | Descrizione |
|------|---------|--------------------------------------------------------------------------------------------------------------------------------------------------------------------|
| 1 | | Targhetta del microscopio |
| 2 | | Superficie surriscaldata sottostante Utilizzare il microscopio solo su una superficie stabile, solida, liscia e che non costituisca innesco (non infiammabile). |
| 3 | | Targhetta del microscopio |
| 4 | | Primostar 1 Importatore UE Carl Zeiss Microscopy GmbH Carl-Zeiss-Promenade 10 07745 Jena, Germania |

2.4.2 Etichette di avvertimento e informative sul supporto

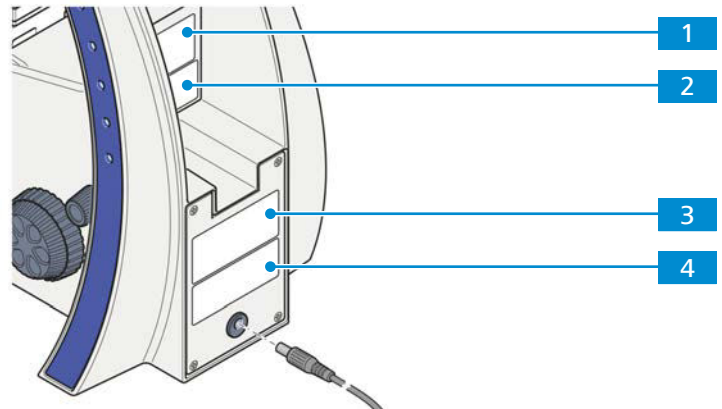


Fig. 1: Posizione delle etichette di avvertimento e informative

3 Descrizione del prodotto e del funzionamento

Il Primostar 1 è un microscopio a luce trasmessa dal design compatto e dall'ingombro ridotto.

Il Primostar 1 è un microscopio progettato appositamente per uso didattico e di routine. Offre una grande durata nell'uso permanente.

3.1 Componenti principali di Primostar 1

Primostar 1 comprende i seguenti componenti principali

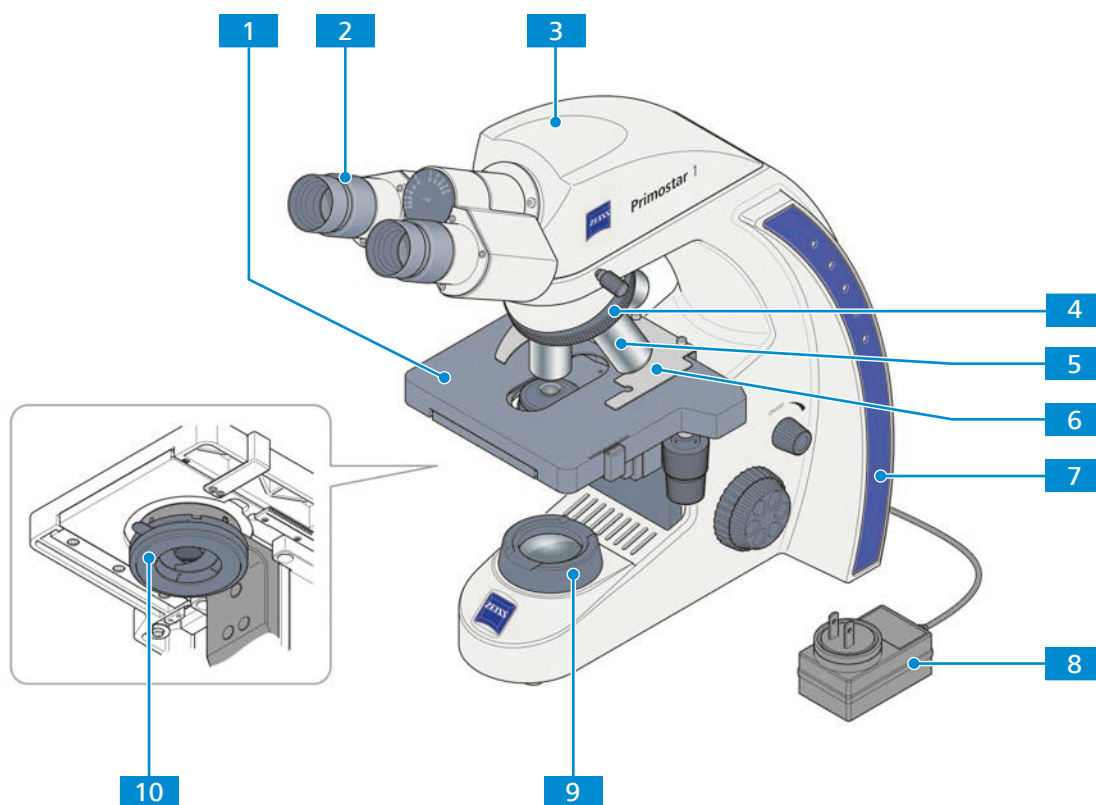


Fig. 2: Componenti principali di Primostar 1

| | | | |
|----------|-----------------------------------------|-----------|---------------------------------|
| 1 | Palco del microscopio | 2 | Oculare |
| 3 | Tubo | 4 | Nasello |
| 5 | Obiettivo | 6 | Portacampioni |
| 7 | Supporto | 8 | Alimentatore |
| 9 | Unità di illuminazione a luce trasmessa | 10 | Condensatore Abbe, Köhler fisso |

3.2 Elementi di comando e indicatori sul supporto

Scopo I comandi sul supporto controllano le funzioni principali del microscopio.

Posizione I seguenti comandi si trovano sul lato destro del supporto.

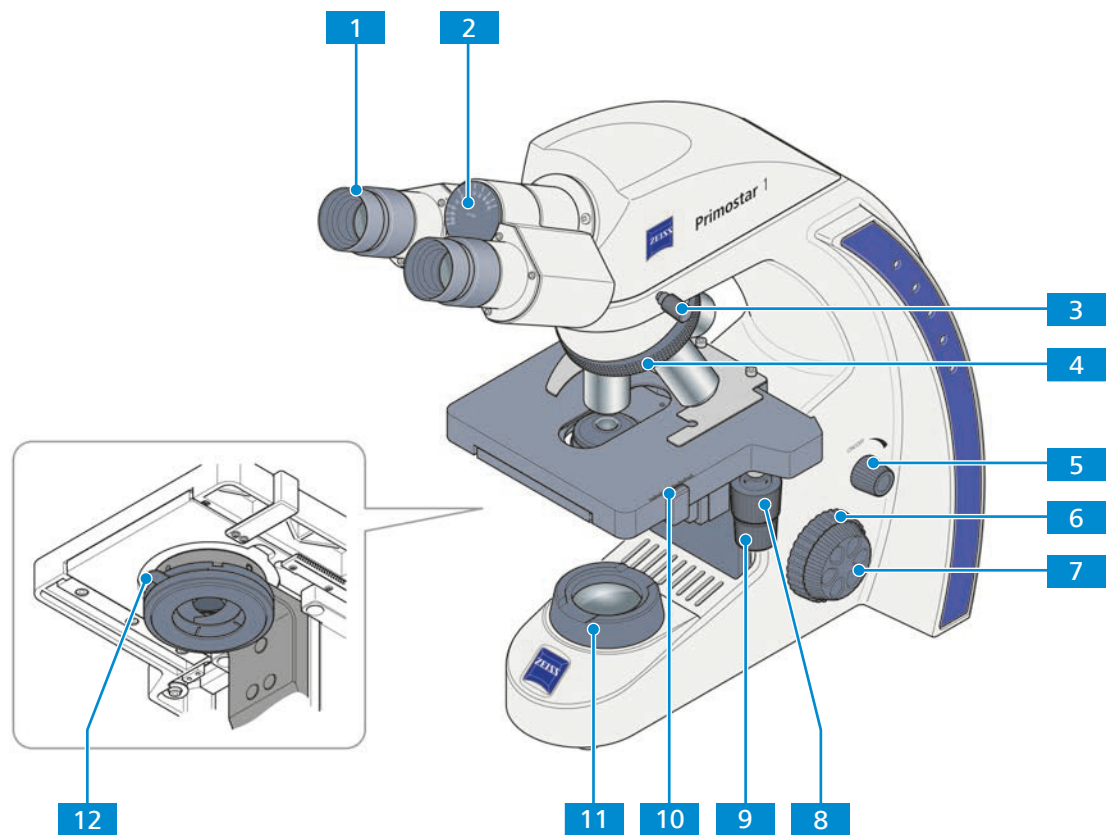


Fig. 3: Comandi sul lato destro del supporto

- | | | | |
|-----------|---------------------------------------------------------------|-----------|----------------------------------------------------------------|
| 1 | Oculare, regolabile | 2 | Indicatore della distanza interpupillare |
| 3 | Vite di fissaggio tubo di osservazione | 4 | Anello zigrinato per girare il nasello |
| 5 | Manopola dell'intensità della luce | 6 | Sistema di messa a fuoco grossolana (lato destro) |
| 7 | Messa a fuoco fine (lato destro) | 8 | Manopola di controllo per corsa Y del palco senza cremagliera |
| 9 | Manopola di controllo per corsa X del palco senza cremagliera | 10 | Nonio e scala, che indicano la posizione Y del palco |
| 11 | Unità di illuminazione a luce trasmessa | 12 | Leva di regolazione del diaframma di apertura del condensatore |

Posizione I seguenti comandi si trovano sul lato sinistro del supporto.

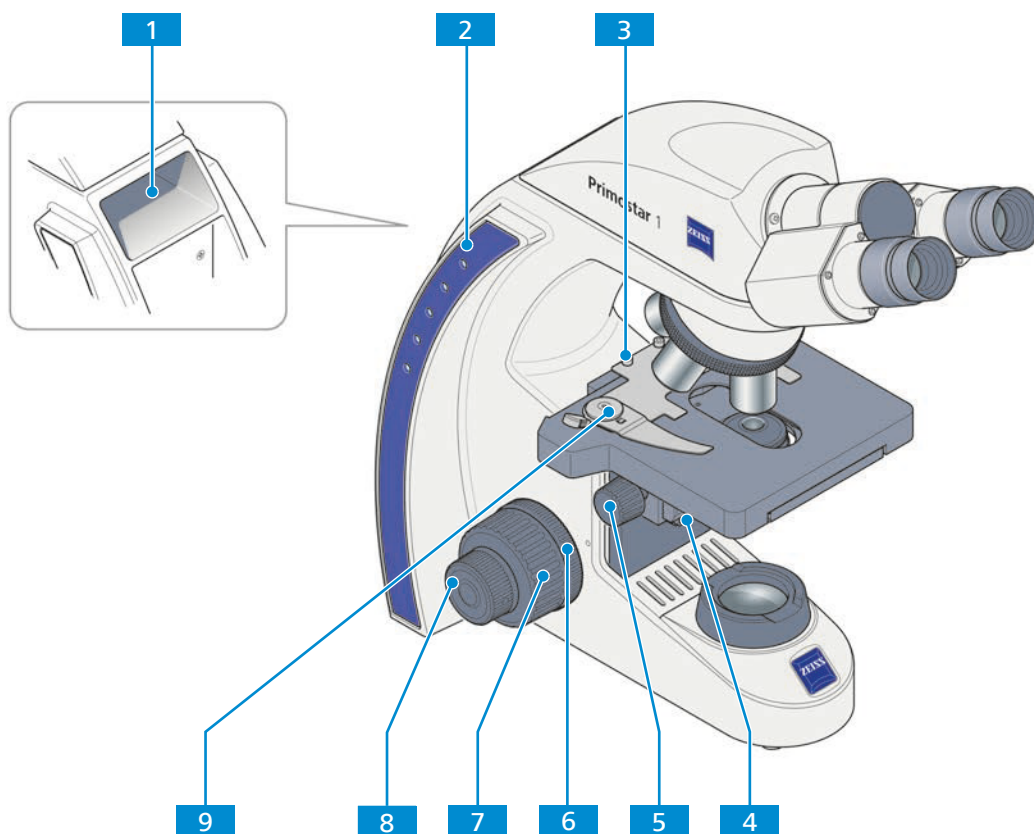
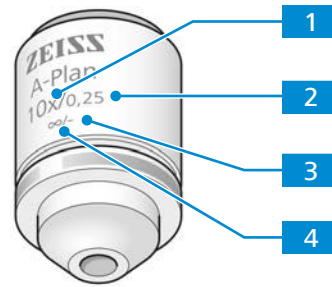


Fig. 4: Comandi sul lato sinistro del supporto

- | | | | |
|----------|----------------------------------------------------------|----------|----------------------------------------------------------------------------------------|
| 1 | Maniglia per il trasporto | 2 | Indicatori di intensità luminosa per luce trasmessa |
| 3 | Vite di serraggio per il portacampioni | 4 | Vite di fissaggio per abbassare il condensatore |
| 5 | Anello zigrinato per regolare l'altezza del condensatore | 6 | Anello zigrinato per regolare la scorrevolezza del sistema di messa a fuoco grossolana |
| 7 | Messa a fuoco grossolana (lato sinistro) | 8 | Messa a fuoco fine (lato destro) |
| 9 | Leva del portacampioni per il fissaggio del campione | | |

3.3 Obiettivi

Le caratteristiche funzionali di un obiettivo sono indicate dalla rispettiva etichetta, ad es. **A-Plan 10x/0,25 ∞/-**.



1 Ingrandimento dell'obiettivo

Il fattore di ingrandimento specifica l'ingrandimento dell'obiettivo. Ingrandimenti maggiori consentono di risolvere piccole caratteristiche sul campione.

Il fattore di ingrandimento dell'obiettivo è indicato anche dall'anello colorato dell'obiettivo, vedere il codice colore ZEISS.

L'ingrandimento dell'obiettivo moltiplicato per l'ingrandimento dell'oculare dà l'ingrandimento complessivo.

2 Apertura numerica (NA)

L'apertura numerica moltiplicata per 1000 rappresenta il massimo ingrandimento utile; al di sopra di tale limite non si ottiene una maggiore risoluzione.

3 Spessore del vetrino coprioggetto applicabile

- : l'obiettivo può essere utilizzato senza vetrino coprioggetto o con vetrino coprioggetto con uno spessore di 0,17 mm.

0: l'obiettivo può essere utilizzato senza vetrino coprioggetto.

0,17: l'obiettivo può essere utilizzato con un vetrino coprioggetto con uno spessore di 0,17 mm.

4 Lunghezza tubo meccanico

L'obiettivo può essere utilizzato con tubi di qualsiasi lunghezza.

Informazioni

Per via della breve distanza di lavoro, i seguenti obiettivi hanno un supporto resiliente (protezione del campione):

- ▶ 40x
- ▶ 100x oil

3.4 Oculare

Scopo Gli oculari servono per osservare l'immagine microscopica.

Posizione Gli oculari vengono inseriti nel tubo.

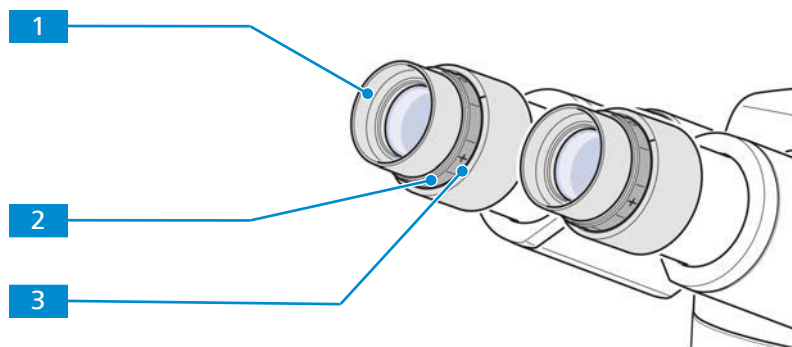


Fig. 5: Oculare

1 Conchiglia oculare pieghevole in gomma

2 Anello di messa a fuoco per compensare la visione difettosa

3 Scala diottrica per facilitare la ricerca dell'impostazione corretta

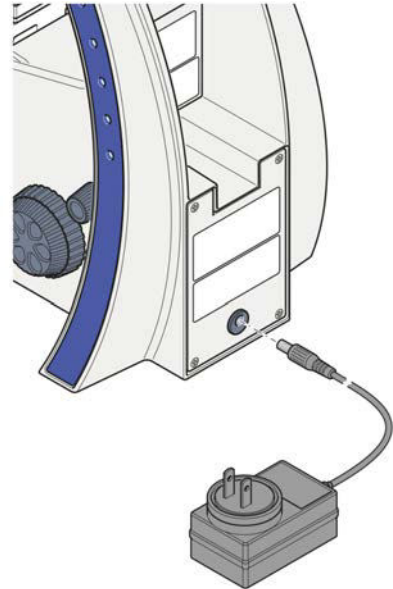
Funzione Entrambi gli oculari sono adatti ai portatori di occhiali. Inoltre, sono dotati di un anello di messa a fuoco per compensare la visione difettosa. La scala diottrica in dotazione aiuta a trovare l'impostazione corretta.

4 Installazione

Eeguire solo le operazioni di installazione descritte nel presente documento. Tutte le altre operazioni di installazione non descritte di seguito possono essere eseguite soltanto da un rappresentante ZEISS addetto all'assistenza autorizzato.

4.1 Collegamento del microscopio alla rete elettrica

- Procedura**
1. Rimuovere l'alimentatore a spina dall'alloggiamento.
 2. Collegare l'alimentatore a spina alla presa di alimentazione del microscopio.



3. Se necessario, sostituire l'adattatore della presa di corrente installato con uno degli adattatori in dotazione specifici per Paese.
4. Collegare l'alimentatore a spina alla rete elettrica.

5 Messa in servizio e prime fasi operative

Questo capitolo descrive l'accensione/lo spegnimento e le prime fasi per l'utilizzo del Microscopio.

Informazioni

Ulteriori informazioni così come descrizioni dettagliate sono disponibili nella documentazione applicabile oppure è possibile contattare direttamente il proprio partner commerciale e di assistenza ZEISS.

Informazioni

Ulteriori informazioni sul software e sul suo utilizzo sono disponibili nella guida online del software.

5.1 Prerequisiti per la messa in servizio e l'utilizzo

Per la messa in funzione e per l'esercizio sono necessari i seguenti prerequisiti fondamentali:

- Le Manuali di istruzioni sono state lette prima della messa in funzione o dell'esercizio e sono conservate per poter essere consultate in futuro.
- Il capitolo **Sicurezza** è stato letto e compreso.
- L'operatore ha dimestichezza con programmi generici basati Windows®.
- Se richiesto: la formazione di base e il briefing sulla sicurezza sono stati completati correttamente.

5.2 Accensione del microscopio

Necessaria ✓ *Il microscopio è collegato alla rete elettrica [▶ 137].*

- Procedura**
1. Ruotare la manopola dell'intensità della luce.
 2. Regolare l'illuminazione all'intensità desiderata.
 - L'intensità selezionata è indicata dai diodi luminosi sul supporto.

5.3 Regolazione della posizione degli oculari

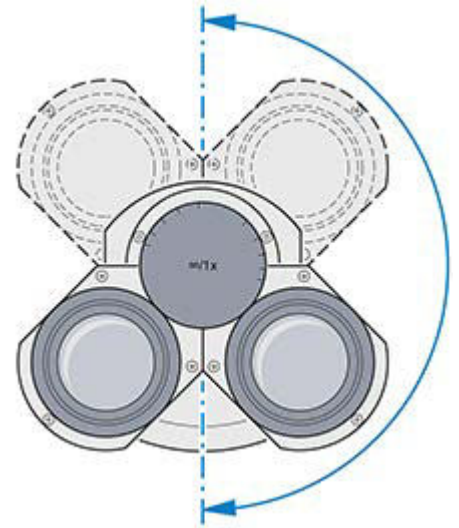
Informazioni

La regolazione della distanza interpupillare è corretta quando si vede una sola immagine rotonda guardando nei due oculari.

- Procedura**
1. Regolare la distanza interpupillare ruotando i tubi degli oculari in modo simmetrico uno verso l'altro o allontanandoli.

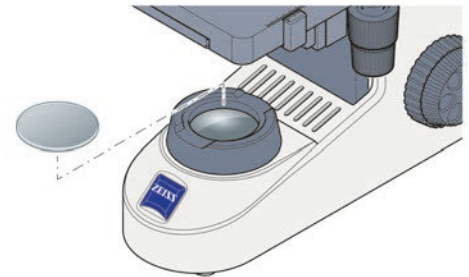


2. Regolare l'altezza di visualizzazione ruotando gli oculari di 180° verso l'alto o verso il basso.



5.4 Installazione del filtro blu

- Procedura**
1. Mettere il filtro blu sul diaframma del campo luminoso.



Per lo smontaggio procedere in ordine inverso.

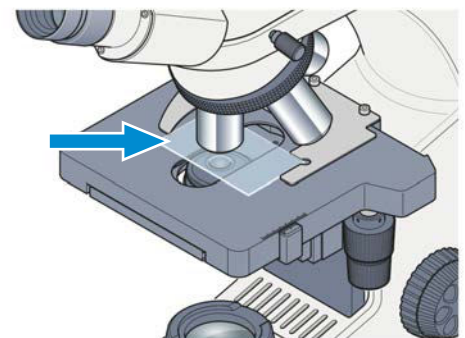
5.5 Acquisizione di un'immagine

Informazioni

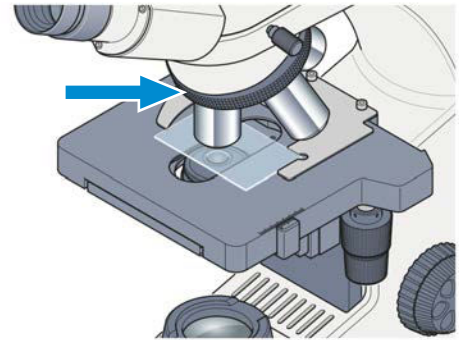
Il microscopio viene consegnato già regolato in fabbrica

Necessaria ✓ *La posizione degli oculari è già impostata [▶ 138].*

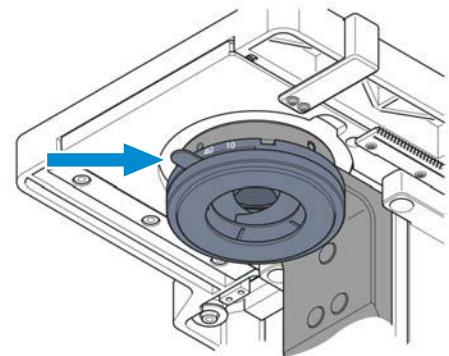
- Procedura**
1. Posizionare il campione nel portacampioni del palco meccanico.



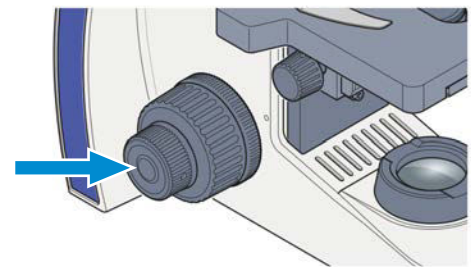
2. Selezionare l'ingrandimento desiderato posizionando l'obiettivo adatto nel percorso ottico.



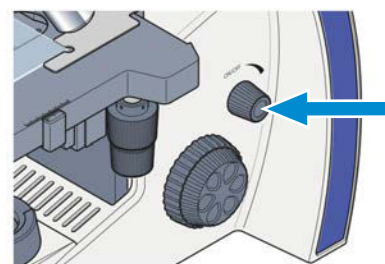
3. Regolare la leva di comando del diaframma di apertura del condensatore sul valore di ingrandimento selezionato (**10x**, **40x** o **100x**).



4. Mettere a fuoco il campione utilizzando il sistema di messa a fuoco.



5. Utilizzare la manopola girevole dell'intensità di illuminazione per regolare l'illuminazione ad un valore confortevole.



5.6 Cambio degli obiettivi

AVVISO

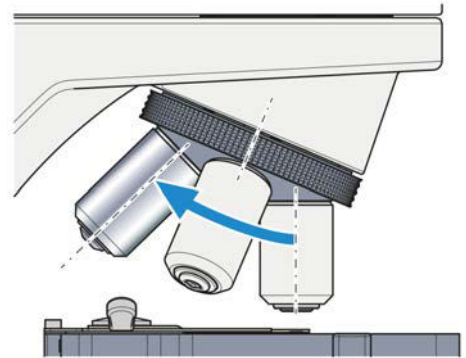
Componenti sensibili alla polvere

Se i fori del nasello inutilizzati rimangono scoperti, può verificarsi la penetrazione di particelle nel Microscopio che possono danneggiarne l'ottica e la meccanica in modo permanente.

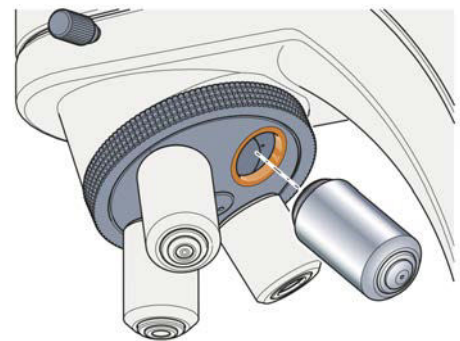
- ▶ Chiudere sempre i fori del nasello inutilizzati con i cappucci di copertura.

Gli obiettivi devono essere installati nella direzione mostrata in figura in ordine di ingrandimento crescente.

- Procedura**
1. Utilizzare il sistema di messa a fuoco per abbassare completamente il palco meccanico o il supporto del palco.
 2. Rimuovere il cappuccio di copertura o svitare l'obiettivo presente dal relativo foro del nasello.



3. Estrarre l'obiettivo dalla sua custodia.
4. Avvitare l'obiettivo nel foro con cautela. Assicurarsi che si innesti correttamente nella filettatura del nasello.



5.7 Spegnimento del microscopio

- Procedura**
1. Ruotare la manopola dell'intensità della luce.
→ I LED si spengono.
 2. Coprire il microscopio con il coperchio antipolvere.

6 Lavori di cura e pulizia

Per garantire le migliori prestazioni possibili del Microscopio è necessario eseguire regolarmente la manutenzione. Per mantenere la sicurezza operativa e l'affidabilità del Microscopio si consiglia di stipulare un **ZEISS Protect Service Agreements** (contratto di assistenza ZEISS Protect). Conservare i registri di assistenza del proprio Microscopio.

PERICOLO

Scosse elettriche dovute a parti sotto tensione

Se si entra in contatto con parti sotto tensione quando il Microscopio è ancora acceso, sussiste il rischio di scosse elettriche o ustioni.

- ▶ Spegnerne il Microscopio prima dell'apertura o della pulizia.
- ▶ Scollegare le parti sotto tensione.

AVVISO

Disturbo nel funzionamento dovuto a sporco e umidità

Sporco, polvere e umidità possono compromettere il funzionamento del Microscopio e causare cortocircuiti.

- ▶ Coprire il Microscopio con una copertura antipolvere quando non viene utilizzato.
- ▶ Le fessure di ventilazione devono essere sempre mantenute libere.
- ▶ Eseguire le operazioni di manutenzione e pulizia regolarmente in base alle istruzioni contenute nel presente documento e a quelle contenute nell'ulteriore documentazione applicabile.
- ▶ Assicurarsi che all'interno del Microscopio non penetrino né liquidi di pulizia né umidità.
- ▶ In caso di danneggiamenti, le parti danneggiate del Microscopio devono essere immediatamente messe fuori servizio.

6.1 Pulizia di una superficie ottica


AVVISO

Danneggiamento della lente dovuto a una pulizia non corretta

- ▶ Rimuovere la polvere dalla lente lentamente e con cautela.
- ▶ Rimuovere la polvere dalle superfici ottiche con una spazzola con setole naturali oppure soffiare via con un mantice in gomma.

Parti e strumenti  Panno pulito

 Cotton fioc

 Soluzione di pulizia ottica (85% di n-esano e 15% di alcool isopropilico (IPA) per volume)

 Panno privo di lanugine

Procedura 1. Se necessario, inumidire un batuffolo di cotone o un panno pulito con una soluzione per la pulizia di ottiche.

2. Strofinare le superfici delle ottiche con un movimento circolare verso il bordo dell'ottica esercitando una leggera pressione.



SBAGLIATO

CORRETTO

3. Asciugare con un panno privo di pelucchi.

6.2 Eliminazione di impurità solubili in acqua

- Parti e strumenti**
- 🔧 Panno pulito
 - 🔧 Panno privo di lanugine

- Procedura**
1. Inumidire un panno pulito con acqua.
→ All'acqua può essere aggiunto anche del detergente delicato (non solvente!).
 2. Strofinare la superficie con il panno.
 3. Asciugare con un panno privo di lanugine.

7 Risoluzione dei problemi

La tabella seguente contiene informazioni sulla risoluzione dei problemi più comuni.

Informazioni

Se non è possibile risolvere il problema o in caso di dubbi di carattere tecnico, contattare il rappresentante locale dell'assistenza ZEISS.

| Problema | Causa | Rimedio |
|-------------------------------------------------------------------------------------------|-------------------------------------------------------------------------------------------------|---------------------------------------------------------------------------------------------------------------------------------------------------------|
| Il campo visivo non è completamente visibile | Il nasello con l'obiettivo non si è spostato completamente nella posizione di arresto a scatto. | Portare il nasello con l'obiettivo nella posizione di arresto a scatto. |
| | Il filtro non è posizionato correttamente sul diaframma del campo luminoso. | <i>Posizionare correttamente il filtro [► 139].</i> |
| Basso potere risolutivo e scarso contrasto dell'immagine | Il diaframma di apertura non è regolato correttamente. | Regolare il diaframma di apertura secondo la regola dei 2/3 o in base alle caratteristiche del campione. |
| | Il condensatore non è stato messo a fuoco correttamente. | Mettere a fuoco il condensatore. |
| | Lo spessore del vetrino coprioggetto utilizzato è errato per gli obiettivi a luce trasmessa. | Utilizzare vetrini coprioggetto standard con uno spessore di 0,17 mm se gli obiettivi sono corretti per vetrini coprioggetto dello spessore di 0,17 mm. |
| | Gli obiettivi ad immersione vengono utilizzati senza olio da immersione o con olio non adatto. | Utilizzare olio da immersione 518 N o 518 F di ZEISS. |
| | L'olio da immersione contiene bolle d'aria. | Ripetere la procedura di lubrificazione con olio nuovo. |
| | La lente frontale di un obiettivo a secco è sporca di olio da immersione. | Pulire la lente anteriore dell'obiettivo a secco. |
| | Sporcizia o polvere sulle superfici ottiche di obiettivi, oculari, condensatori o filtri. | Pulire i componenti ottici interessati. |
| Differenza significativa nella posizione di messa a fuoco dopo aver cambiato l'obiettivo. | Gli oculari di messa a fuoco non sono regolati correttamente. | Regolare gli oculari di messa a fuoco in base alla visione difettosa in questione. |
| La sorgente LED non si accende quando si ruota la manopola dell'intensità della luce. | La spina di alimentazione non è inserita nella presa di corrente. | <i>Collegare la spina di alimentazione alla presa di corrente [► 137].</i> |

| Problema | Causa | Rimedio |
|--------------------------------------------------------|----------------------------------------------------------------------------|-----------------------------------------------------|
| Il palco scende da solo, la messa a fuoco è instabile. | La coppia regolata del sistema di messa a fuoco grossolana è troppo bassa. | Contattare il rappresentante dell'assistenza ZEISS. |

8 Messa fuori servizio e smaltimento

Il presente capitolo contiene indicazioni relative alla messa fuori servizio e allo smaltimento del Microscopio e delle relative espansioni/componenti o accessori.

8.1 Messa fuori servizio

Se il Microscopio non viene utilizzato per un periodo di tempo prolungato, ad es. per diversi mesi, esso dovrebbe essere completamente disinserito e assicurato contro l'accesso da parte di non autorizzati. Una messa fuori servizio completa del Microscopio dovrebbe essere eseguita dal proprio rappresentante ZEISS addetto all'assistenza.

PERICOLO

Scosse elettriche dovute a parti sotto tensione

Se si entra in contatto con parti sotto tensione quando il Microscopio è ancora acceso, sussiste il rischio di scosse elettriche o ustioni.

- ▶ Spegnere il Microscopio prima dell'apertura o della pulizia.
- ▶ Scollegare le parti sotto tensione.

- Procedura**
1. Spegnere il Microscopio.
 2. Estrarre la spina di rete.

8.2 Decontaminazione

È necessario che venga presentata una dichiarazione di decontaminazione prima di effettuare il reso di oggetti usati alla sede ZEISS.

Se non è possibile garantire una decontaminazione affidabile, il pericolo che ne deriva deve essere debitamente segnalato in base alle normative vigenti. In generale, deve essere applicata un'etichetta di avvertenza sull'articolo e all'esterno della confezione, insieme a informazioni dettagliate sul tipo di contaminazione.

8.3 Trasporto e stoccaggio

Prima e durante il trasporto, è necessario osservare le seguenti regole:

- Le scatole devono essere fissate durante il trasporto.
- Evitare che le scatole si muovano avanti e indietro.
- Leggere attentamente le informazioni sul peso presenti sull'imballaggio e sul documento di trasporto.
- Ove possibile, utilizzare l'imballaggio originale per la spedizione o il trasporto.
- Non far cadere o urtare le scatole durante la movimentazione o lo stoccaggio. Qualsiasi accelerazione deve essere < 10 g.
- Prendere in considerazione l'uso di sensori d'urto e inclinazione per l'imballaggio alla consegna e dopo il trasporto interno.

Massima resistenza agli urti

Temperatura consentita

Temperatura consentita durante lo stoccaggio sul posto:

- Tra -10 °C e +40 °C
- Umidità relativa inferiore all'80% a +40 °C

Temperatura consentita durante il trasporto nell'imballaggio:

- Tra -40 °C e +70 °C

Informazioni

Durante le 24 ore prima dell'installazione del Microscopio, è necessario che le scatole vengano conservate alla temperatura ambiente consigliata per evitare la penetrazione di umidità, molto dannosa per i componenti ottici, e per garantire una stabilità efficiente del Microscopio durante l'installazione e i test.

8.4 Smaltimento

Il Microscopio e i relativi componenti non possono essere smaltiti insieme ai rifiuti domestici o presso le imprese di smaltimento locali. Essi devono essere smaltiti secondo le normative vigenti (direttiva RAEE 2012/19/UE). ZEISS ha introdotto un procedimento per il reso e il riciclaggio all'interno degli Stati membri dell'Unione Europea, il quale garantisce un recupero appropriato in base alle direttive UE indicate. La decontaminazione spetta al cliente.

Informazioni

Per informazioni dettagliate sullo smaltimento e il riciclaggio, rivolgersi al proprio partner commerciale e di assistenza ZEISS.

9 Dati tecnici e conformità

Il presente capitolo contiene dati tecnici importanti così come informazioni relative alla conformità.

9.1 Norme e regolamenti applicabili

Rispettare tutte le norme di sicurezza generali e nazionali specifiche, nonché le leggi e le normative applicabili in materia di protezione dell'ambiente.

Il Microscopio è conforme ai requisiti delle seguenti normative e direttive:

| | |
|-----------------------------------------|-----------------------------------------------------------------------------------------------------------------------------------------------------------------------------------------|
| 2011/65/UE 2015/836/UE | Direttiva RoHS |
| 98/79/CE | Direttiva diagnostici in vitro |
| EN 55011 | Emissione di rumore secondo CISPR 11 Gruppo 1 Classe B uso previsto in ambiente industriale |
| EN 61010-1 e IEC 61010-2-101 | Prescrizioni di sicurezza per apparecchi elettrici di misura, controllo e per utilizzo in laboratorio |
| DIN EN 61326-1 DIN EN 61326-2-6:2013 | Apparecchi elettrici di misura, controllo e laboratorio – Prescrizioni di compatibilità elettromagnetica/Requisiti particolari - Apparecchiature mediche per diagnostica in vitro (IVD) |
| EN 62471 | Sicurezza fotobiologica delle lampade e sistemi di lampade Conformità ai valori limite secondo EN 62471, Gruppo di rischio 1 (gruppo di rischio esente visione dall'oculare) |

Il Microscopio e i relativi accessori sono stati classificati nella categoria di strumenti 9 (apparecchiature da laboratorio o standard comparabile). Sono inoltre conformi, se del caso, ai regolamenti UE 2011/65/UE (RoHS) e 2012/19/UE (RAEE).

Direttive/norme europee e internazionali: Per ulteriori informazioni sui certificati ISO e CSA e sulle dichiarazioni di conformità CE, contattare il proprio partner commerciale e di assistenza ZEISS.

ZEISS opera secondo un Sistema di Gestione Ambientale certificato ai sensi della norma ISO 14001. Il Microscopio è stato sviluppato, testato e prodotto in conformità con le normative vigenti e le linee guida sul diritto ambientale dell'Unione Europea.

9.2 Dati sulle prestazioni/specifiche

Il Microscopio deve essere utilizzato solo in ambienti chiusi. Si consiglia di installare il Microscopio in una stanza buia dove l'illuminazione artificiale, la luce solare o altre fonti di luce non possono interferire con l'acquisizione dell'immagine. Il Microscopio non deve essere installato vicino a finestre con luce solare diretta o radiatori. Il rispetto dei requisiti di installazione del Microscopio e la disponibilità delle forniture richieste sono a carico del cliente e devono essere assicurati al momento dell'installazione. Per via dello sviluppo continuo, il produttore si riserva il diritto di modificare le specifiche senza preavviso.

Il Microscopio deve essere collegato a una presa di corrente correttamente installata con contatto di messa a terra di protezione utilizzando il cavo di alimentazione elettrica in dotazione. Il collegamento di messa a terra di protezione non deve essere compromesso dall'uso di prolunghe.

Informazioni

Per i requisiti di installazione dettagliati, rivolgersi al proprio partner commerciale e di assistenza ZEISS.

| Peso e dimensioni | Componenti principali | | | | |
|----------------------------------|------------------------------------------|--------------------------------------------------|----------------|--------------|-----------|
| | Componenti principali | Lunghezza (mm) | Larghezza (mm) | Altezza (mm) | Peso (kg) |
| | Supporto con tubo binoculare | 410 | 190 | 395 | 7,7 |
| Trattamento dell'aria e qualità | Intervallo di temperatura d'esercizio | da 5 a 40 °C | | | |
| | Umidità relativa | < 80% a 35 °C | | | |
| | Pressione atmosferica/altitudine | da 800 a 1060 hPa/≤ 2000 m sul livello del mare | | | |
| | Grado di inquinamento | 2 | | | |
| Alimentatore a spina | Tensione nominale CA | L/N da 100 a 240 V ± 10% | | | |
| | Frequenza nominale | 50/60 Hz | | | |
| | Spina di alimentazione principale | Viene fornita una spina di alimentazione locale. | | | |
| | Consumo di energia | max. 0,8 A | | | |
| | Uscita | 12 V CC, max. 2,5 A | | | |
| Collegamento alla rete elettrica | Valori nominali di ingresso del supporto | 12 V CC, 2,5 A | | | |
| | Grado di protezione | IP20 (IEC 60529) | | | |
| | Classe di messa a terra IEC | Classe III di IEC 61140 | | | |
| | Categoria di sovratensione | II | | | |

9.3 Dati prestazionali e specifiche dei componenti opzionali

Il cliente è responsabile di garantire che le condizioni di installazione del microscopio siano soddisfatte e che l'attrezzatura richiesta sia già disponibile al momento dell'installazione. Con riserva di modifiche per via dei continui sviluppi tecnici.

| | | |
|---------------------------------------------|-----------------------------------------------------------------|---------------------------------------------|
| Illuminazione a LED | LED | luce bianca |
| | Lunghezza d'onda di picco | 440 nm |
| | Classe LED | 1 |
| | Temperatura del colore costante e indipendente dalla luminosità | 3200 K |
| | Illuminazione di campo omogenea | 20 mm (diametro) |
| | Adatto per obiettivi con ingrandimenti | da 4x a 100x |
| | Regolazione analogica della luminosità da | circa 15 a 100% |
| Supporto con messa a fuoco sul palco | Sistema di messa a fuoco grossolana | 42 mm/giro |
| | Sistema di messa a fuoco fine | 0,2 mm/giro |
| | Sollevamento totale del palco | 15 mm |
| Nasello | Cambio obiettivo | manuale tramite nasello quadruplo |
| | Obiettivi | campo obiettivo con correzione all'infinito |
| | Filettatura di montaggio | W 0,8 |
| Oculari | Dimensione del tubo | 30 mm |
| | Numero del campo visivo | 20 |
| | Ingrandimento | 10x |
| | Adatto per portatori di occhiali | Br. |
| | Focalizzabile | Foc. |
| Palco portacampioni | Tipo | Senza cremagliera |
| | Dimensioni (larghezza x profondità) | 140 x 140 mm |
| | Corsa del palco (X x Y) | 75 x 40 mm |
| | Azionamento coassiale | opzionale a destra o sinistra |
| | Scala del nonio | leggibile da destra |
| | Portacampioni | con leva a molla, sinistra |

| | | |
|-------------------------------|------------------------------------------------|-----------------------------------|
| Condensatore | Condensatore Abbe 0,9; Köhler fisso | per V_{ogg} da 4x a 100x |
| Specchio illuminante | Superficie piana e superficie sferica con f' | 75 mm |
| Tubo binoculare 30°/20 | Numero massimo del campo visivo | 20 |
| | Distanza interpupillare | regolabile da 50 a 75 mm |
| | Angolo del tubo | 30° |
| | Altezza di visualizzazione | da 380 a 415 mm |
| | Porta di visualizzazione, fattore del tubo | 1x |

10 Accessori ed espansioni di sistema opzionali

Con il Microscopio possono essere utilizzati esclusivamente i seguenti accessori, il cui utilizzo sicuro è stato confermato da ZEISS. Possono essere utilizzate soltanto parti originali di ZEISS. Assicurarsi prima se il proprio Microscopio possa essere equipaggiato a posteriori con un'estensione di sistema.

Dopo l'installazione o una conversione, controllare attentamente che il Microscopio così come le estensioni/i componenti di sistema si trovino in uno stato operativo sicuro e che le porte sullo stativo non assegnate siano chiuse. Ulteriori dettagli e le misure di sicurezza sono disponibili nei rispettivi documenti correlati.

Informazioni

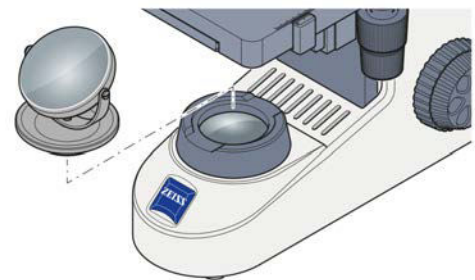
Ulteriori informazioni così come descrizioni dettagliate sono disponibili nella documentazione applicabile oppure è possibile contattare direttamente il proprio partner commerciale e di assistenza ZEISS.

| Nome | Descrizione/Informazione |
|-----------|------------------------------------------------------------------------------------------------------------------------------------------------------------------------------------------------------------------------------------------------------------------------------------------------------------------------------------------------------------------------------------------------------------------------------------------------------------------------------------------------------------------------------------------------------------------------------------------------------------------------------------------------------|
| Obiettivi | Le prestazioni degli obiettivi del microscopio influiscono sulla qualità dell'immagine del microscopio come nessun altro componente del sistema. Che si lavori con campioni istologici, campioni cellulari o interi organismi, l'idoneità degli obiettivi del microscopio per l'applicazione in questione dipende da vari fattori. Per informazioni più dettagliate sugli obiettivi disponibili e consigliati è possibile consultare l'indirizzo https://www.micro-shop.zeiss.com/de/de/shop/objectives o chiedere al proprio Partner Commerciale e di Assistenza ZEISS. |
| Specchio | Quando non si dispone di una presa di corrente, si utilizza lo specchio per illuminare il campione. |

10.1 Installazione dello specchio

Funzione Lo specchio serve per illuminare il campione se non si dispone di una presa di corrente.

Procedura 1. Posizionare lo specchio sul supporto del diaframma del campo luminoso.



2. Ruotare e inclinare lo specchio finché la luce naturale viene riflessa in modo omogeneo nel percorso ottico.

Per lo smontaggio procedere in ordine inverso.

Glossario

NA

Apertura numerica

Partner commerciale e di assistenza ZEISS

Il partner commerciale e di assistenza si occupa dell'assistenza ai clienti operando per una determinata area regionale e/o un gruppo di clienti chiaramente definito.

Rappresentante dell'assistenza ZEISS

Esperto dell'assistenza appositamente formato, personale ZEISS o partner di assistenza autorizzato ZEISS.

Utente

Persona che esamina un campione al microscopio.

ZEISS

ZEISS è un'azienda tecnologica leader a livello internazionale che opera nei settori dell'ottica e dell'optoelettronica. Ulteriori informazioni su ZEISS sono disponibili su www.zeiss.com.

Indice

A

| | |
|----------------------------|----------|
| Accensione | 138 |
| Accessori | 152 |
| Altezza di visualizzazione | 139 |
| Apertura numerica | 135 |
| Attenzione | |
| etichette | 130, 131 |
| Luci | 130 |

C

| | |
|-------------------------------------|-----|
| Campo chiaro | 139 |
| Campo chiaro a luce trasmessa | 139 |
| Collegamento alla rete elettrica | 149 |
| Collegamento del microscopio | 137 |
| Comandi | 133 |
| Condizioni di esercizio e sicurezza | 129 |
| Contaminazione | 146 |

D

| | |
|-------------------------|-----|
| Dati prestazionali | 148 |
| Decontaminazione | 146 |
| Distanza interpupillare | 138 |

E

| | |
|---------------------------------|-----|
| Esercizio | |
| Prerequisiti | 138 |
| Estensioni di sistema opzionali | 152 |
| Installazione | 152 |
| Etichette di avvertimento | 131 |
| Etichette informative | 131 |

F

| | |
|--------------------------------|-----|
| Fattore di zoom dell'obiettivo | 135 |
| Filtro | 139 |
| Formazione | 129 |

I

| | |
|------------------------------------|-----|
| Immagine | 139 |
| Informazioni di sicurezza generali | 128 |
| Installazione | |
| Filtro | 139 |
| Obiettivo | 141 |
| Specchio | 152 |

M

| | |
|----------------------|-----|
| Manutenzione | 142 |
| Messa fuori servizio | 146 |

O

| | |
|-----------|----------|
| Obiettivo | 135, 141 |
|-----------|----------|

| | |
|---------|-----|
| Oculare | 136 |
|---------|-----|

P

| | |
|----------------------------|-----|
| Pericoli | 129 |
| Prevenzione | 129 |
| Peso e dimensioni | 149 |
| Prerequisiti | |
| Esercizio | 138 |
| Pulizia | |
| Impurità solubili in acqua | 143 |

R

| | |
|--------------------------|-----|
| Requisiti | |
| del gestore | 128 |
| Risoluzione dei problemi | 144 |

S

| | |
|-------------|-----|
| Sicurezza | 128 |
| Smaltimento | 147 |
| Specchio | 152 |
| Spegnimento | 141 |

T

| | |
|---------------------------------|-----|
| Trattamento dell'aria e qualità | 149 |
|---------------------------------|-----|

U

| | |
|--------------|-----|
| Uso previsto | 128 |
|--------------|-----|

Z

| | |
|-------------------------|-----|
| ZEISS | |
| Contratti di assistenza | 142 |
| Portale | 127 |

Spis treści

| | | |
|----------|----------------------------------------------------------------------|------------|
| 1 | Informacje ogólne..... | 157 |
| 1.1 | Konwencje tekstowe i rodzaje odsyłaczy..... | 157 |
| 1.2 | Inne obowiązujące dokumenty..... | 157 |
| 1.3 | Objaśnienia komunikatów ostrzegawczych i dodatkowych informacji..... | 158 |
| 1.4 | Kontakt..... | 159 |
| 2 | Bezpieczeństwo | 160 |
| 2.1 | Użytkowanie zgodne z przeznaczeniem | 160 |
| 2.2 | Ogólne informacje dotyczące bezpieczeństwa..... | 160 |
| 2.2.1 | Wymagania wobec operatorów | 160 |
| 2.2.2 | Bezpieczne warunki pracy | 161 |
| 2.3 | Zapobieganie zagrożeniom | 161 |
| 2.3.1 | Zagrożenia mechaniczne | 161 |
| 2.3.2 | Zagrożenia elektryczne | 161 |
| 2.3.3 | Zagrożenia spowodowane środowiskiem eksploatacji | 161 |
| 2.3.4 | Zagrożenia ergonomiczne | 162 |
| 2.3.5 | Niebezpieczeństwa powodowane przez materiały i substancje | 162 |
| 2.4 | Tablice i diody ostrzegawcze | 162 |
| 2.4.1 | Znaczenie znaków ostrzegawczych i informacyjnych | 163 |
| 2.4.2 | Znaki ostrzegawcze i informacyjne na statywie | 163 |
| 3 | Opis produktu i działania | 164 |
| 3.1 | Główne elementy mikroskopu Primostar 1 | 164 |
| 3.2 | Elementy obsługi i wskaźniki na statywie..... | 165 |
| 3.3 | Obiektywy..... | 167 |
| 3.4 | Okular..... | 168 |
| 4 | Montaż | 169 |
| 4.1 | Podłączenie mikroskopu do zasilania sieciowego..... | 169 |
| 5 | Pierwsze czynności związane z obsługą..... | 170 |
| 5.1 | Warunki wstępne uruchomienia i pracy..... | 170 |
| 5.2 | Włączanie mikroskopu | 170 |
| 5.3 | Regulacja pozycji okularów | 170 |
| 5.4 | Montaż filtra niebieskiego | 171 |
| 5.5 | Akwizycja obrazu | 171 |
| 5.6 | Zmiana obiektywów..... | 172 |
| 5.7 | Wyłączanie mikroskopu..... | 173 |
| 6 | Czyszczenie | 174 |
| 6.1 | Czyszczenie powierzchni optycznych..... | 174 |
| 6.2 | Usuwanie zanieczyszczeń rozpuszczalnych w wodzie | 175 |
| 7 | Usuwanie usterek | 176 |

| | | |
|-----------|-------------------------------------------------------------------|------------|
| 8 | Wycofanie z eksploatacji i utylizacja | 177 |
| 8.1 | Wycofanie z eksploatacji | 177 |
| 8.2 | Dekontaminacja | 177 |
| 8.3 | Transport i przechowywanie | 177 |
| 8.4 | Utylizacja | 178 |
| 9 | Dane techniczne i informacje o zgodności z przepisami..... | 179 |
| 9.1 | Właściwe normy i przepisy | 179 |
| 9.2 | Dane eksploatacyjne i specyfikacje | 180 |
| 9.3 | Dane eksploatacyjne i specyfikacje komponentów opcjonalnych..... | 181 |
| 10 | Akcesoria i opcjonalne zestawy rozszerzeniowe..... | 183 |
| 10.1 | Montaż lustra..... | 183 |
| | Słownik..... | 184 |
| | Indeks | 185 |

1 Informacje ogólne

Niniejsza instrukcja obsługi jest częścią składową urządzenia Primostar 1 dalej zwanego Mikroskop.

Niniejsza Instrukcja obsługi zawiera podstawowe czynności i informacje dotyczące bezpieczeństwa, których należy przestrzegać podczas obsługi i konserwacji. Dlatego też Instrukcja obsługi musi zostać przeczytana przez operatora przed uruchomieniem i musi być zawsze dostępna w miejscu użytkowania Mikroskop. Ta Instrukcja obsługi jest stałą częścią Mikroskop i w przypadku odsprzedaży należy ją przekazać wraz z Mikroskop nowemu właścicielowi.

1.1 Konwencje tekstowe i rodzaje odsyłaczy

Stosowane są następujące konwencje tekstowe i rodzaje odsyłaczy:

| Konwencja tekstowa | Znaczenie |
|---------------------------------------------------------------------------------------------------------|-----------------------------------------------------------------------------------------------------------------------------------------------------------------------------------|
| Kliknąć Start . Nacisnąć przycisk STANDBY . Nacisnąć [Enter] na klawiaturze. | Nazwy klawiszy sterujących i ważne informacje są przedstawione pogrubionymi literami. |
| Nacisnąć <Ctrl+Alt+Del> . | Nacisnąć jednocześnie kilka klawiszy na klawiaturze. |
| Wybrać Tools > Goto Control Panel > Air-lock . | Przejść do ścieżki podanej w oprogramowaniu. |
| <i>Text input</i> | Tekst wprowadzany przez użytkownika |
| Programowanie i makra | Wszystkie informacje wpisane dosłownie podczas programowania, w tym – na przykład – kody makr, słowa kluczowe, typy danych, nazwy metod, zmienne, nazwy klas i nazwy interfejsów. |

Tab. 1: Konwencja tekstowa

| Rodzaj odsyłacza | Znaczenie |
|-----------------------------------------------------------------------------------------------------------|-------------------------------------------|
| Patrz: <i>Konwencje tekstowe i rodzaje odsyłaczy</i> [▶ 157]. | Link do dalszych informacji na ten temat. |
| https://www.zeiss.com/corporate/int/home.html | Link do strony internetowej. |

Tab. 2: Rodzaje odsyłaczy

1.2 Inne obowiązujące dokumenty

Należy również zapoznać się z następującymi dokumentami:

| | |
|---------------------------------------------------------------------|------------------------------------------------------------------------------------------------------------------------------------------------------------------------------------------------------------------------------------------------------------------------------------------|
| Broszury i certyfikaty | Broszury, certyfikaty ISO, certyfikaty CSA i deklaracje zgodności WE można uzyskać u partnera handlowego i serwisowego ZEISS. |
| Lokalne i krajowe przepisy dotyczące zdrowia i higieny pracy | Należy przestrzegać lokalnych i krajowych przepisów dotyczących bezpieczeństwa i higieny pracy w odniesieniu do placówki i użytkowania Mikroskop. W przypadku sprzeczności z wymaganiami dotyczącymi montażu Mikroskop należy skonsultować się z partnerem handlowym i serwisowym ZEISS. |

| | |
|------------------------------------------------------------------|----------------------------------------------------------------------------------------------------------------------------------------------------------------------------------------------------------------------------------------------|
| Karty charakterystyki substancji | Przestrzegać dołączonych kart charakterystyki substancji. Należy stosować się do instrukcji i wytycznych podanych w odpowiednich kartach charakterystyki substancji. |
| Komponenty systemowe i komponenty poddostawców, akcesoria | Mikroskop można skonfigurować na kilka sposobów. Informacje o poszczególnych komponentach, ulepszeniach i akcesoriach można uzyskać od partnera handlowego i serwisowego ZEISS. Prosimy uwzględnić też dokumentację poddostawców producenta. |

1.3 Objasnienia komunikatów ostrzegawczych i dodatkowych informacji

NIEBEZPIECZEŃSTWO, OSTRZEŻENIE, PRZESTROGA i NOTYFIKACJA to standardowe słowa sygnałowe używane do określania stopni zagrożenia i ryzyka obrażeń ciała oraz szkód materialnych. Należy uwzględnić nie tylko wskazówki bezpieczeństwa i ostrzeżenia w rozdziale **Bezpieczeństwo**, lecz także instrukcje bezpieczeństwa oraz ostrzeżenia w innych rozdziałach. Nieprzestrzeganie tych instrukcji i ostrzeżeń może skutkować zarówno szkodami osobowymi, jak i materialnymi oraz prowadzić do utraty wszelkich roszczeń odszkodowawczych.

W tym dokumencie stosowane są następujące ostrzeżenia wskazujące na niebezpieczne sytuacje i zagrożenia.

NIEBEZPIECZEŃSTWO

Rodzaj i źródło niebezpieczeństwa

NIEBEZPIECZEŃSTWO wskazuje bezpośrednio niebezpieczną sytuację, która skutkuje śmiercią lub poważnymi obrażeniami ciała, jeżeli się jej nie zapobiegnie.

OSTRZEŻENIE

Rodzaj i źródło niebezpieczeństwa

OSTRZEŻENIE wskazuje potencjalnie niebezpieczną sytuację, która może skutkować śmiercią lub poważnymi obrażeniami ciała, jeżeli się jej nie zapobiegnie.

UWAGA

Rodzaj i źródło niebezpieczeństwa

PRZESTROGA wskazuje potencjalnie niebezpieczną sytuację, która może skutkować lekkimi lub średnimi obrażeniami ciała, jeżeli się jej nie zapobiegnie.

OGŁOSZENIE

Rodzaj i źródło niebezpieczeństwa

NOTYFIKACJA wskazuje potencjalnie szkodliwą sytuację, która może skutkować szkodami materialnymi, jeżeli się jej nie zapobiegnie.

Informacja

Dostarcza dodatkowych informacji lub objaśnień, aby pomóc użytkownikom lepiej zrozumieć treść tej Instrukcja obsługi.

1.4 Kontakt

W razie jakichkolwiek pytań lub problemów prosimy o kontakt z lokalnym partnerem handlowym i serwisowym ZEISS bądź jednym z poniższych adresów:

Headquarters

| | |
|---------|------------------------------|
| Tel.: | +49 1803 33 63 34 |
| Faks: | +49 3641 64 3439 |
| E-mail: | info.microscopy.de@zeiss.com |

Kursy i szkolenia

| | |
|---------|---------------------------------|
| e-mail: | courses.microscopy.de@zeiss.com |
|---------|---------------------------------|

Portal ZEISS

Portal ZEISS (<https://portal.zeiss.com/>) oferuje różne usługi upraszczające codzienną pracę z systemami ZEISS (urządzeniami i oprogramowaniem). Jest przez cały czas ulepszany i rozbudowywany, aby lepiej spełniać potrzeby i wymagania naszych klientów.

Partner handlowy i serwisowy ZEISS

Lokalnego partnera handlowego i serwisowego ZEISS można znaleźć na stronie <https://www.zeiss.de/mikroskopie/website/forms/sales-and-service-contacts.html>.

Serwis w Niemczech

| | |
|---------|---------------------------------|
| Tel.: | +49 7364 20 3800 |
| Faks: | +49 7364 20 3226 |
| E-mail: | service.microscopy.de@zeiss.com |

2 Bezpieczeństwo

Niniejszy rozdział zawiera ogólne wymagania dotyczące bezpiecznych metod pracy. Każda osoba korzystająca z Mikroskop lub zajmująca się instalowaniem bądź konserwacją musi przeczytać i przestrzegać tych ogólnych wskazówek bezpieczeństwa. Znajomość podstawowych wskazówek i wymagań bezpieczeństwa jest warunkiem bezpiecznej i bezawaryjnej pracy. Bezpieczeństwo pracy dostarczonego Mikroskop jest spełnione tylko wtedy, gdy jest on eksploatowany zgodnie z jego przeznaczeniem.

Każde prace związane z ryzykiem resztkowym są specjalnie oznaczone w odpowiednich częściach niniejszego dokumentu. Jeżeli obsługa komponentów wymaga szczególnej ostrożności, jest to oznaczone znakiem ostrzegawczym. Należy zawsze przestrzegać tych ostrzeżeń.

2.1 Użytkowanie zgodne z przeznaczeniem

Primostar 1 to mikroskop zaprojektowany specjalnie do zastosowań edukacyjnych i rutynowych czynności.

Do typowych zastosowań należą:

- edukacja (nauczanie, studia)
- laboratoria
- praktyki medyczne

Niewłaściwe użycie może łatwo prowadzić do pogorszenia jego działania lub nawet uszkodzenia Mikroskop. Producent nie ponosi odpowiedzialności za szkody spowodowane nieprawidłowym działaniem, zaniedbaniem lub nieautoryzowanymi ingerencjami, w szczególności usunięciem, modyfikacją lub wymianą komponentów Mikroskop. Urządzenia lub komponenty stron trzecich, które nie zostały wyraźnie zatwierdzone przez ZEISS, nie mogą być stosowane.

2.2 Ogólne informacje dotyczące bezpieczeństwa

Niniejszą Instrukcja obsługi należy przeczytać przed uruchomieniem, aby zapewnić bezpieczne i sprawne użytkowanie. Szczególną uwagę należy zwrócić na wszystkie podane wskazówki dotyczące bezpieczeństwa. Należy upewnić się, że:

- personel obsługujący urządzenie przeczytał i zrozumiał niniejszą Instrukcja obsługi, dokumenty powiązane, w szczególności wszystkie przepisy i instrukcje bezpieczeństwa, oraz stosuje się do nich;
- przestrzegane są lokalne i krajowe przepisy BHP, a także przepisy obowiązujące w danym kraju;
- niniejsza Instrukcja obsługi jest zawsze dostępna razem z Mikroskop;
- Mikroskop jest zawsze w sprawnym stanie;
- Mikroskop jest zawsze zabezpieczony przed dostępem nieupoważnionych osób;
- prace konserwacyjne i naprawcze, doposażanie, usuwanie lub wymiana komponentów, jak również inne interwencje przeprowadzane na Mikroskop, nieopisane w niniejszej Instrukcja obsługi, mogą być wykonywane wyłącznie przez producenta – firmę ZEISS – lub osoby wyraźnie autoryzowane przez firmę ZEISS.

2.2.1 Wymagania wobec operatorów

Mikroskop, jego części składowe i akcesoria mogą być eksploatowane i konserwowane wyłącznie przez autoryzowany i przeszkolony personel. Mikroskop może być eksploatowany wyłącznie zgodnie z Instrukcja obsługi. Jeżeli Mikroskop będzie stosowany w sposób inny niż opisany, bezpieczeństwo użytkownika może być zagrożone, a Mikroskop może ulec uszkodzeniu. Wszelka nieautoryzowana interwencja lub użycie niezgodne z przeznaczeniem spowoduje utratę wszelkich praw do roszczeń gwarancyjnych. Należy zawsze przestrzegać lokalnych przepisów dotyczących ochrony zdrowia i zapobiegania wypadkom podczas wszystkich prac na i przy Mikroskop.

Szkolenie Autoryzowany personel ZEISS przeprowadzi podstawowe szkolenie z obsługi Mikroskop. Przekaze także informacje na temat bezpieczeństwa sprzętu i prac konserwacyjnych, które mogą być wykonywane przez operatora. Szkolenie będzie udokumentowane przez firmę ZEISS, a jego ukończenie potwierdzone przez operatora.

Specjalne szkolenie aplikacyjne jest oferowane odpłatnie. Aktualne terminy szkoleń, informacje dodatkowe oraz formularz rejestracyjny znajduje się na stronie <https://www.zeiss.com/microscopy/int/service-support/training-and-education.html>.

2.2.2 Bezpieczne warunki pracy

Jeśli wystąpią okoliczności, które obniżają bezpieczeństwo i powodują zmiany w zachowaniu roboczym, należy natychmiast wyłączyć Mikroskop i powiadomić serwisanta ZEISS. Mikroskop może być eksploatowany wyłącznie po prawidłowej instalacji przez Punkt serwisowy ZEISS i zgodnie z warunkami eksploatacji. Mikroskop może być obsługiwany tylko po prawidłowym zainstalowaniu przez Punkt serwisowy ZEISS i jeżeli przestrzegane są warunki eksploatacji.

- Nie eksploatować Mikroskop, zanim nie zostanie przeczytana ze zrozumieniem cała dokumentacja dostarczona wraz z Mikroskop.
- Należy upewnić się, że wszystkie osłony ochronne i znaki ostrzegawcze są zainstalowane i czytelne.
- Należy zapewnić odpowiednie warunki i podjąć środki zapobiegające gromadzeniu się ładunków elektrostatycznych na stanowisku pracy.

2.3 Zapobieganie zagrożeniom

Sekcja ta opisuje potencjalne zagrożenia i zalecane środki bezpieczeństwa. Nieprzestrzeganie wskazówek i instrukcji bezpieczeństwa może spowodować obrażenia ciała i szkody materialne.

2.3.1 Zagrożenia mechaniczne

Szkody materialne spowodowane transportem Istnieje ryzyko odniesienia obrażeń i szkód materialnych w przypadku nieprawidłowego przeniesienia i transportu Mikroskop.

- Do transportu Mikroskop należy używać wyłącznie uchwytu, jeśli jest obecny. W przeciwnym razie jedną ręką trzymać Mikroskop, a drugą płytę podstawy.

2.3.2 Zagrożenia elektryczne

Niebezpieczne napięcie Niebezpieczeństwo porażenia prądem elektrycznym w przypadku kontaktu z elementami pod napięciem.

Zawsze stosować zasilacz sieciowy dostarczany przez ZEISS. W przypadku zastosowania nieodpowiedniego zasilacza sieciowego firma ZEISS nie gwarantuje bezpieczeństwa elektrycznego i prawidłowego działania Mikroskop.

- Wyłączanie Mikroskop.
- Przed czyszczeniem należy odłączyć zasilanie.
- Ustawić i eksploatować Mikroskop w taki sposób, aby złącza były łatwo dostępne.

2.3.3 Zagrożenia spowodowane środowiskiem eksploatacji

Brud, pył i wilgoć Brud, pył i wilgoć mogą pogorszyć funkcjonowanie Mikroskop.

- Wyłączyć Mikroskop, gdy nie jest używany, i zakryć go osłoną przeciwpylową.
- Zawsze zakrywać nieużywane otwory i przyłącza.
- Regularnie przeprowadzać konserwację i czyszczenie zgodnie z instrukcjami zawartymi w niniejszym dokumencie.
- Upewnić się, że do wnętrza Mikroskop nie dostanie się płyn czyszczący ani wilgoć.

- Upewnić się, że elementy elektryczne nigdy nie wejdą w kontakt z wilgocią.
- Nie wystawiać Mikroskop na działanie niekorzystnych warunków atmosferycznych (wysoka wilgotność i temperatura).

2.3.4 Zagrożenia ergonomiczne

Zapobieganie chorobom układu mięśniowo-szkieletowego Choroby układu mięśniowo-szkieletowego dotyczą mięśni, nerwów, naczyń krwionośnych, więzadeł i ścięgien. Pracownicy w wielu różnych branżach i zawodach mogą być narażeni na czynniki ryzyka podczas pracy, takie jak podnoszenie ciężkich przedmiotów, schylenie się, sięganie ponad głowę, pchanie i ciągnięcie ciężkich ładunków, praca w niewygodnych pozycjach ciała oraz powtarzalne wykonywanie tych samych lub podobnych czynności. Pracodawcy są odpowiedzialni za stworzenie bezpiecznego i przyjaznego dla zdrowia miejsca pracy dla swoich pracowników.

2.3.5 Niebezpieczeństwa powodowane przez materiały i substancje

| | |
|-----------------------------------------------------------|------------------------------------------------------------------------------------------------------------------------------------------------------------------------------------------------------------------------------------------------------------------------------------------------------------------------------------------------------------------------------------------------------------------------------------------------------------------------------------------------------------------------------------------------------------------------------------------------------------------------------------------------------------|
| Niebezpieczeństwo infekcji | Bezpośredni kontakt z okularami może być potencjalną drogą przenoszenia infekcji bakteryjnych i wirusowych. <ul style="list-style-type: none"> ▪ Ryzyko można zmniejszyć poprzez użycie osobistych okularów lub muszli ocznych. Jeśli okulary muszą być dezynfekowane regularnie, firma ZEISS zaleca stosowanie okularów bez muszli ocznych. ▪ Aby uniknąć infekcji, zaleca się stosowanie środków ochrony indywidualnej (ŚOI), np. rękawiczek do obsługi, czyszczenia i odkażania. Rękawiczki jednorazowe mogą być w razie potrzeby odkażane np. alkoholem lub powinny być często zmieniane, aby zminimalizować ryzyko zakażenia. |
| Zagrożenia związane z materiałami eksploatacyjnymi | Nieprawidłowe obchodzenie się z materiałami eksploatacyjnymi oraz środkami czyszczącymi może prowadzić do szkód materialnych i urazów oczu. Materiały eksploatacyjne niezatwierdzone przez ZEISS mogą prowadzić do szkód rzeczowych. Skontaktować się z partnerem handlowym i serwisowym ZEISS, aby dowiedzieć się, jakie materiały eksploatacyjne można zamówić i jak z nimi postępować. |
| Zagrożenia związane z dezynfekcją | W zamkniętych pomieszczeniach należy zapewnić odpowiednią wentylację. W przypadku niedostatecznej wentylacji należy stosować środki ochrony dróg oddechowych. Należy usunąć wszelkie szkodliwe pozostałości. Po przeprowadzeniu dezynfekcji, a w szczególności po dezynfekcji okularów, zostawić urządzenie do wyschnięcia. Nie wdychać oparów. Podczas stosowania dezynfekcji nie należy jeść, pić ani palić. Unikać kontaktu z oczami i skórą. Zdjąć skażone ubrania i wyprać je przed ponownym użyciem. |
| Podrażnienie oczu, skóry, dróg oddechowych | Ekspozycja na substancje chemiczne i ich aerozole może powodować podrażnienie oczu, skóry i dróg oddechowych. Należy stosować odpowiednie środki ochrony indywidualnej (ŚOI). |

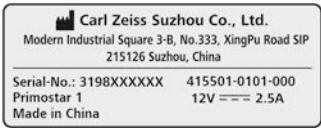



2.4 Tablice i diody ostrzegawcze

Wszystkie miejsca na Mikroskop, które mogą stwarzać szczególne zagrożenia, są oznaczone dodatkowymi znakami ostrzegawczymi (piktogramami). Te tablice ostrzegawcze wskazują potencjalne zagrożenia i stanowią integralną część niniejszej Instrukcja obsługi. Należy je utrzymywać w czystym i czytelnym stanie.

Należy skontrolować wszystkie obowiązkowe znaki ostrzegawcze pod kątem dostępności, czytelności, poprawności. Uszkodzone lub nieczytelne tablice ostrzegawcze należy natychmiast wymienić. Zawsze przestrzegać wszystkich znaków ostrzegawczych na kompletnym Mikroskop.

2.4.1 Znaczenie znaków ostrzegawczych i informacyjnych

Znaczenie poszczególnych znaków ostrzegawczych jest wyjaśnione poniżej:

| Poz. | Symbol | Opis |
|------|------------------------------------------------------------------------------------|--------------------------------------------------------------------------------------------------------------------|
| 1 |  | Tabliczka z informacją o typie mikroskopu |
| 2 |  | Gorąca powierzchnia poniżej Mikroskop obsługiwać tylko na stabilnej, twardej, gładkiej i niepalnej powierzchni. |
| 3 |  | Tabliczka z informacją o typie mikroskopu |
| 4 |  | Primostar 1 Importer w UE Carl Zeiss Microscopy GmbH Carl-Zeiss-Promenade 10 07745 Jena, Niemcy |

2.4.2 Znaki ostrzegawcze i informacyjne na statywie

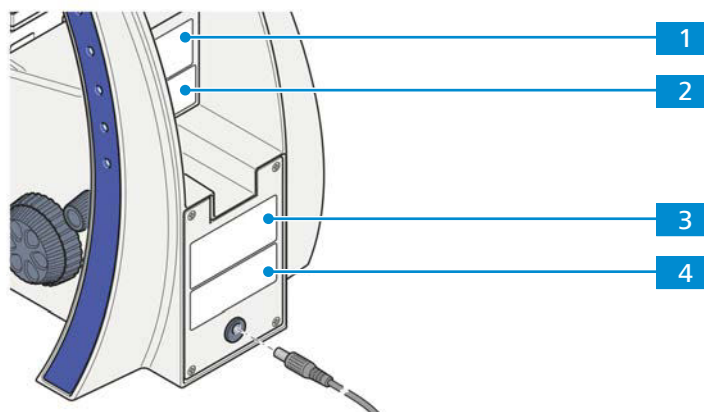


Fig. 1: Umieszczenie znaków ostrzegawczych i informacyjnych

3 Opis produktu i działania

Primostar 1 to mikroskop polaryzacyjny o kompaktowej budowie i niewielkiej podstawie.

Primostar 1 to mikroskop zaprojektowany specjalnie do zastosowań edukacyjnych i rutynowych czynności. Charakteryzuje się dużą wytrzymałością przy długotrwałym użytkowaniu.

3.1 Główne elementy mikroskopu Primostar 1

Primostar 1 składa się z następujących głównych elementów

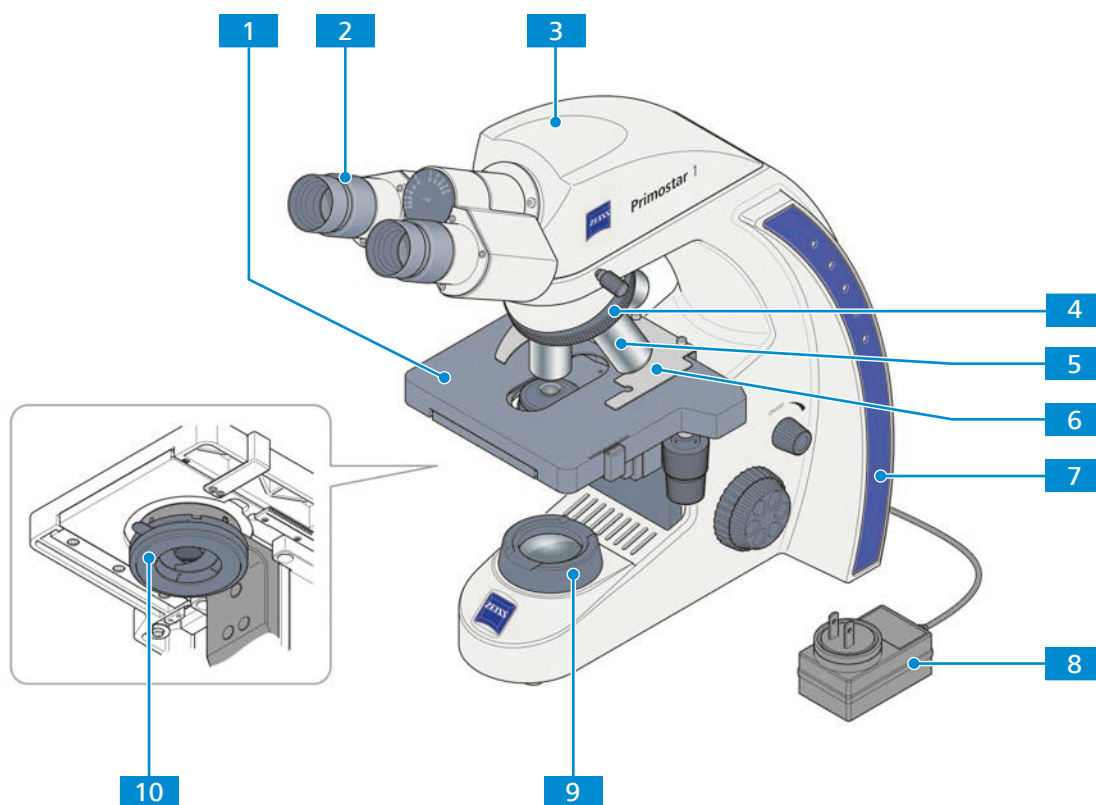


Fig. 2: Główne elementy mikroskopu Primostar 1

- | | |
|-------------------------|-------------------------------------|
| 1 Stolik | 2 Okular |
| 3 Tubus | 4 Rewolwer |
| 5 Obiektyw | 6 Uchwyt próbki |
| 7 Statyw | 8 Jednostka zasilania |
| 9 Źródło światła | 10 Kondensator, Fixed Köhler |

3.2 Elementy obsługi i wskaźniki na statywie

Cel, powód Elementy obsługi na statywie kontrolują główne funkcje mikroskopu.

Pozycja Następujące elementy obsługi są zlokalizowane po prawej stronie statywu.

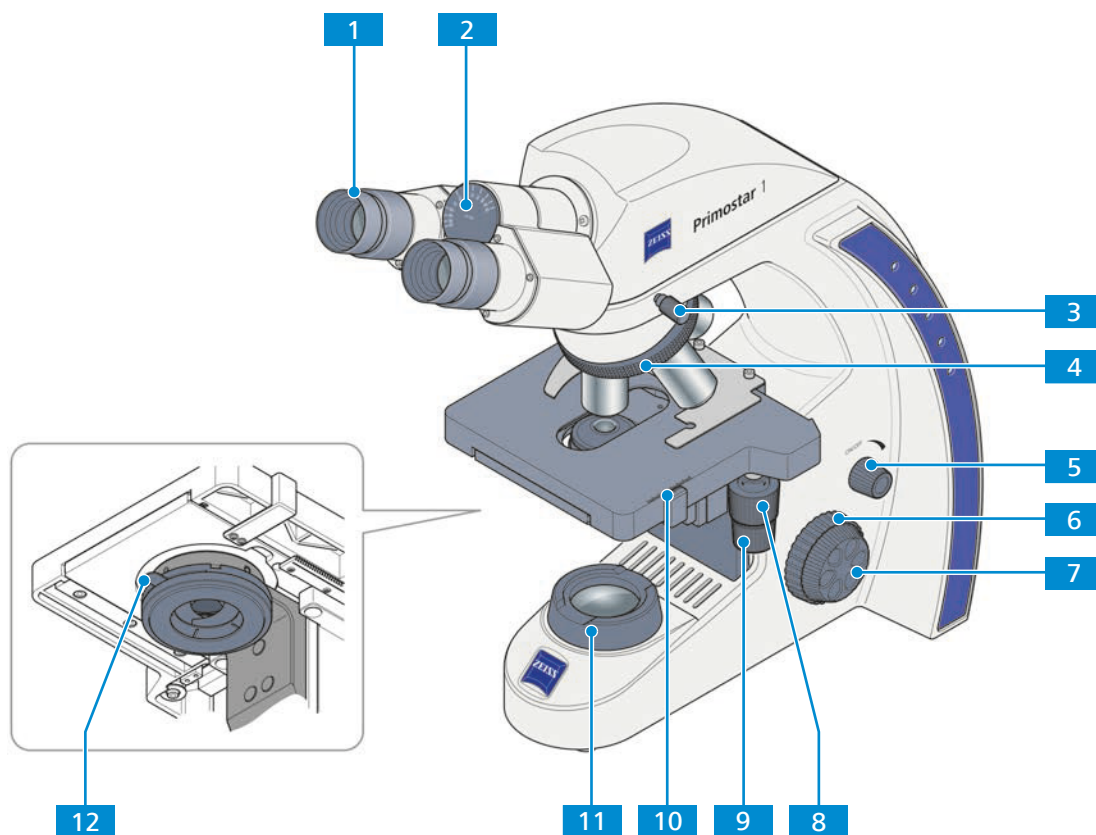


Fig. 3: Elementy obsługi po prawej stronie statywu

- | | |
|---------------------------------------------------------------------|---------------------------------------------------------------------|
| 1 Okular, z możliwością regulacji | 2 Wskaźnik odległości między źrenicami |
| 3 Śruba ustalająca obiektyw | 4 Pierścień radełkowy do obracania rewolweru |
| 5 Pokrętko natężenia światła | 6 Śruba makrometryczna (po prawej stronie) |
| 7 Śruba mikrometryczna (po prawej stronie) | 8 Pokrętko regulacji przesuwu w osi Y stolika bezstopniowego |
| 9 Pokrętko regulacji przesuwu w osi X stolika bezstopniowego | 10 Noniusz i podziałka wskazujące pozycję Y stolika |
| 11 Źródło światła | 12 Dźwignia do regulacji przesłony kondensora |

Pozycja Następujące elementy sterujące są zlokalizowane po lewej stronie statywu.

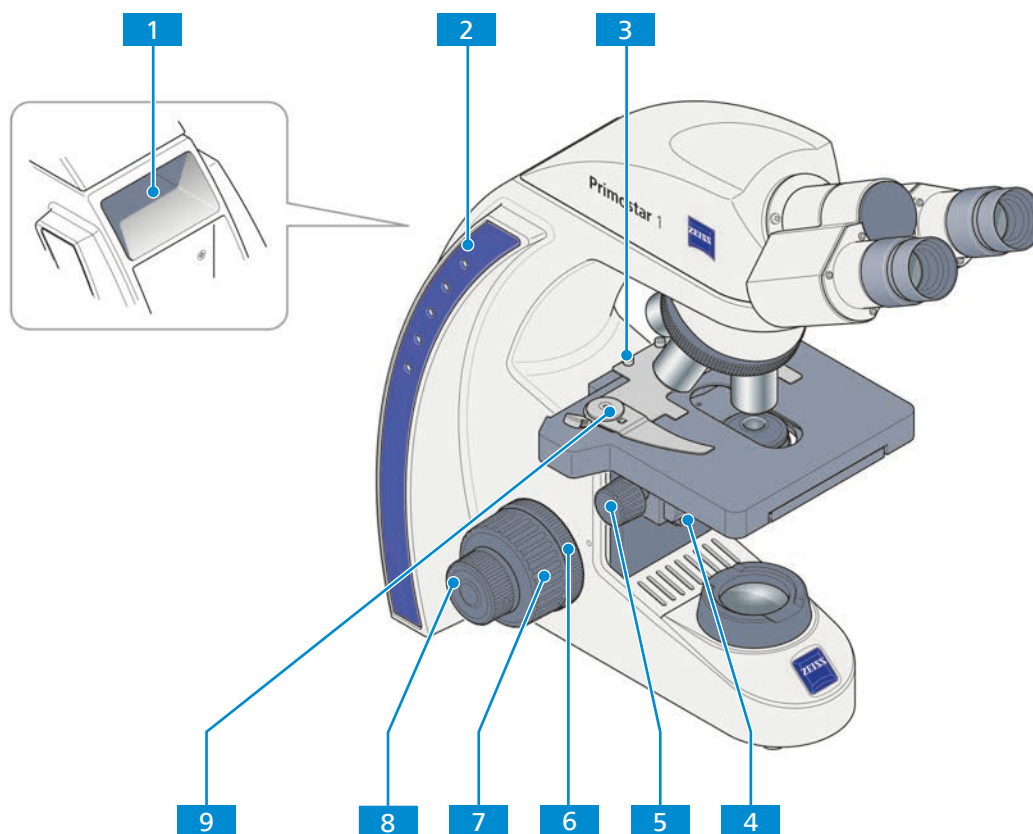
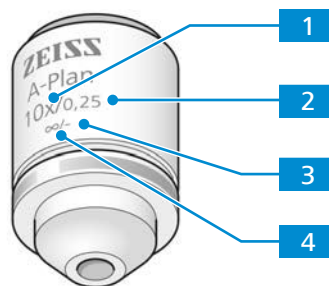


Fig. 4: Elementy sterujące po lewej stronie statywu

- | | | | |
|----------|-------------------------------------------------------|----------|------------------------------------------------------------------|
| 1 | Uchwyt do przenoszenia | 2 | Wskaźniki natężenia światła |
| 3 | Śruba mocująca uchwyt próbki | 4 | Śruba ustalająca do opuszczania kondensora |
| 5 | Pierścień radełkowy do regulacji wysokości kondensora | 6 | Pierścień radełkowy do regulacji płynności śruby makrometrycznej |
| 7 | Śruba makrometryczna (po lewej stronie) | 8 | Śruba mikrometryczna (po lewej stronie) |
| 9 | Dźwignia uchwytu próbki do mocowania próbki | | |

3.3 Obiektywy

Cechy funkcjonalne obiektywu są określone przez odpowiednie oznaczenia, np. **A-Plan 10x/0,25 ∞/-**.



1 Powiększenie obiektywu

Współczynnik powiększenia obiektywu określa powiększenie obiektywu. Większe powiększenia pozwalają na uchwycenie mniejszych elementów próbki.

Współczynnik powiększenia obiektywu jest również określany kolorem obwódki na obiektywie, patrz kodowanie kolorystyczne ZEISS.

Powiększenie obiektywu pomnożone przez powiększenie okularu daje całkowite powiększenie.

2 Apertura numeryczna (NA)

Apertura numeryczna pomnożona przez 1000 stanowi maksymalne użyteczne powiększenie – powyżej tej granicy dodatkowa rozdzielczość nie jest przewidziana.

3 Dopuszczalna grubość szkiełka nakrywkowego

- : Obiektyw może być używany bez szkiełka nakrywkowego lub ze szkiełkiem o grubości 0,17 mm.

0: Obiektyw może być używany bez szkiełka nakrywkowego.

0,17: Obiektyw może być używany ze szkiełkiem nakrywkowym o grubości 0,17 mm.

4 Długość optyczna tubusu

Obiektyw może być używany z tubusem każdej długości.

Informacja

Ze względu na małą odległość roboczą następujące obiektywy posiadają mocowanie elastyczne (ochrona próbki):

- ▶ 40x
- ▶ 100x oil

3.4 Okular

Cel, powód Okulary służą do obserwacji obrazu mikroskopowego.

Pozycja Okulary są wkładane do tubusu.

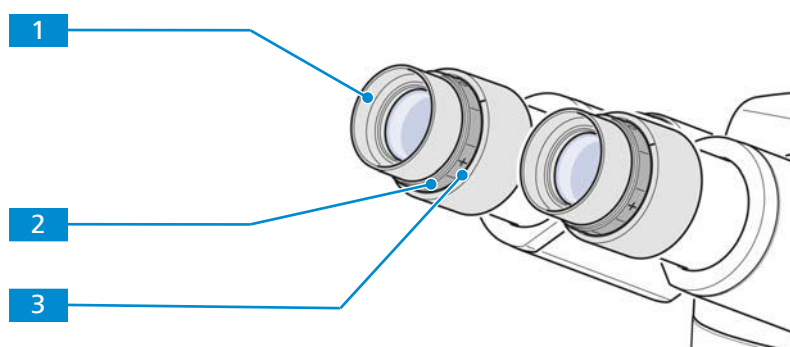


Fig. 5: Okular

1 Elastyczna gumowa muszla oczna

2 Pokrętło ogniskujące do kompensacji wad wzroku

3 Skala dioptrii ułatwiająca znalezienie właściwego ustawienia

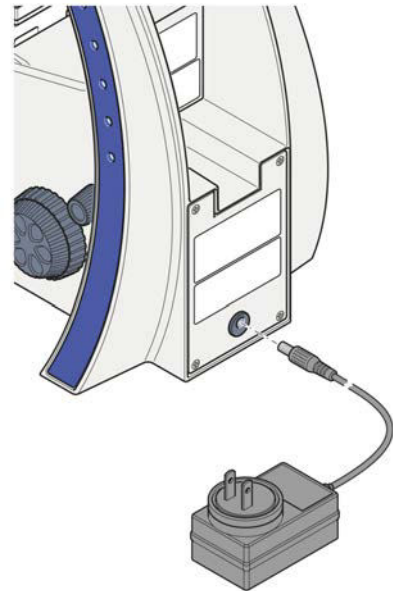
Funkcjonować Oba okulary są przystosowane dla osób noszących okulary. Dodatkowo są wyposażone w pokrętło ogniskujące do kompensacji wad wzroku. Skala dioptrii ułatwia znalezienie właściwego ustawienia.

4 Montaż

Należy przeprowadzać wyłącznie czynności instalacyjne opisane w tym dokumencie. Wszystkie nieopisane tu czynności instalacyjne mogą być wykonywane tylko przez autoryzowanego serwisanta firmy ZEISS.

4.1 Podłączenie mikroskopu do zasilania sieciowego

- Procedura**
1. Wyjąć zasilacz sieciowy z uchwytu do magazynowania.
 2. Podłączyć zasilacz do gniazda sieciowego mikroskopu.



3. W razie potrzeby wymienić zainstalowany adapter gniazda sieciowego na jeden z dostarczonych adapterów właściwy dla danego kraju.
4. Podłączyć zasilacz do gniazda sieciowego.

5 Pierwsze czynności związane z obsługą

W niniejszym rozdziale opisano włączanie i wyłączenie oraz pierwsze czynności związane z obsługą Mikroskop.

Informacja

Dodatkowe informacje i szczegółowe opisy są dostępne w powiązanych dokumentach bądź można je uzyskać od partnera handlowego i serwisowego ZEISS.

Informacja

Dodatkowe informacje na temat oprogramowania i jego działania dostępne są w pomocy online oprogramowania.

5.1 Warunki wstępne uruchomienia i pracy

Do uruchomienia i pracy konieczne są następujące podstawowe warunki wstępne:

- Instrukcja obsługi została przeczytana przed uruchomieniem i eksploatacją oraz zachowana do późniejszego wykorzystania.
- Rozdział **Bezpieczeństwo** został przeczytany i zrozumiany.
- Operator jest zaznajomiony z ogólnymi programami opartymi na systemie Windows®.
- W razie potrzeby: Pomyślnie odbyte podstawowe szkolenie i instruktaż bezpieczeństwa.

5.2 Włączanie mikroskopu

Warunek wstępny ✓ *Mikroskop jest podłączony do sieci elektrycznej [▶ 169].*

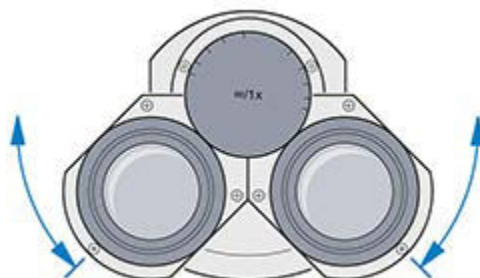
- Procedura**
1. Przekręcić pokrętkę natężenia światła.
 2. Wyregulować podświetlenie do wymaganego natężenia.
→ Wybrane natężenie jest wskazywane przez diody w podstawie.

5.3 Regulacja pozycji okularów

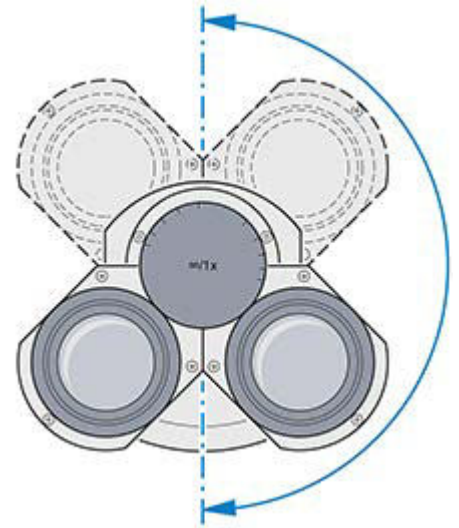
Informacja

Odległość między źrenicami jest prawidłowo ustawiona, jeśli operator, patrząc przez oba okulary, widzi tylko jeden okrągły obraz.

- Procedura**
1. Ustawić odległość między źrenicami, obracając tubusy okularów symetrycznie do siebie lub od siebie.

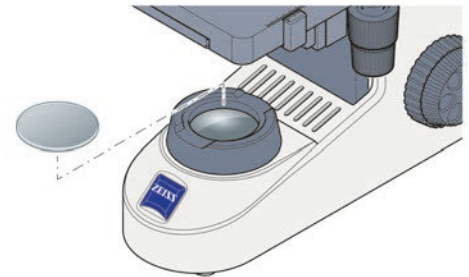


2. Ustawić wysokość obserwacji poprzez obrót okularów o pełne 180° w górę lub w dół.



5.4 Montaż filtra niebieskiego

- Procedura**
1. Nałożyć filtr niebieski na przystonę pola świetlnego.



W celu demontażu czynności należy wykonać w odwrotnej kolejności.

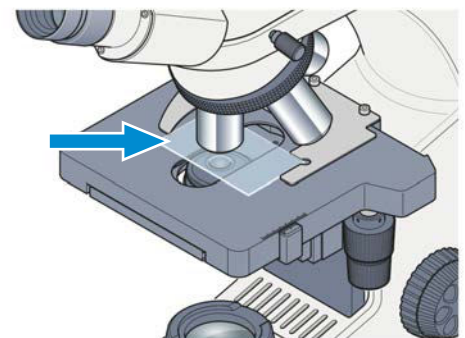
5.5 Akwizycja obrazu

Informacja

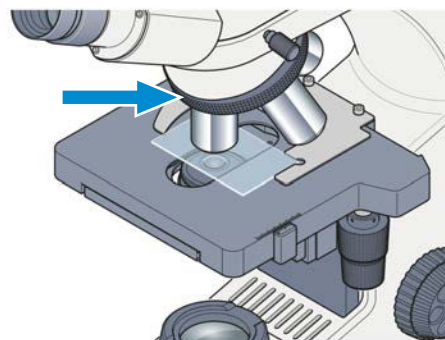
Mikroskop jest dostarczany z korekcją fabryczną

Warunek wstępny ✓ *Pozycja okularów jest ustawiona [▶ 170].*

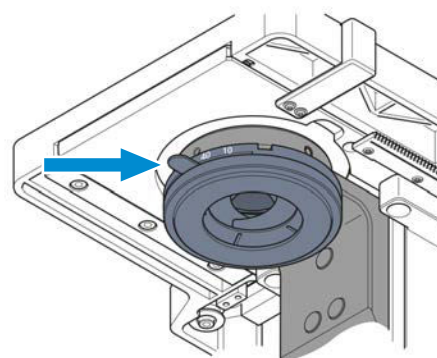
- Procedura**
1. Umieścić próbkę w uchwycie próbki stolika mechanicznego.



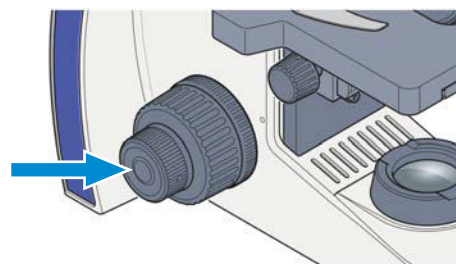
- Wybrać żądane powiększenie, umieszczając odpowiedni obiektyw na torze światła.



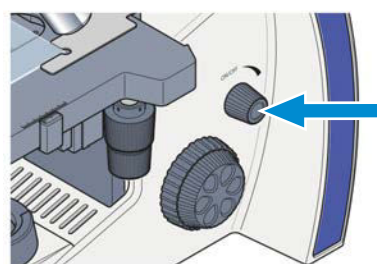
- Ustawić dźwignię sterowania przesłoną kondensora do wartości wybranego powiększenia (**10x**, **40x** lub **100x**).



- Ustawić ostrość na próbce za pomocą śruby.



- Za pomocą pokrętki intensywności podświetlenia ustawić podświetlenie na komfortowym poziomie.



5.6 Zmiana obiektywów

OGŁOSZENIE

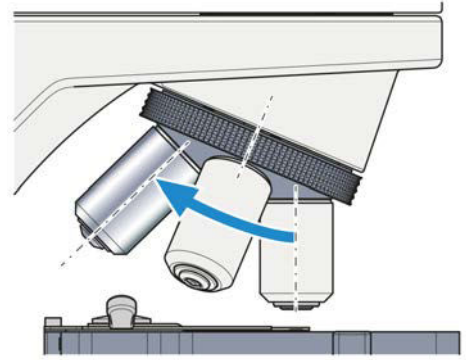
Komponenty wrażliwe na pył

Jeśli nieużywany rewolwer pozostanie nieosłonięty, cząsteczki pyłu mogą dostać się do Mikroskopu i trwale uszkodzić optykę i mechanikę.

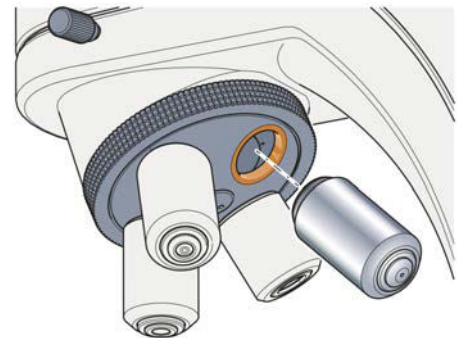
- ▶ Zawsze zamykać nieużywany rewolwer za pomocą zaślepek!

Obiektywy powinny być zamontowane zgodnie z kierunkiem pokazanym na ilustracji, w kolejności rosnącego powiększenia.

- Procedura**
1. Za pomocą śruby całkowicie opuścić stolik mechaniczny lub nośnik stolika.
 2. Zdemontować zaślepkę lub wykręcić zainstalowany obiektyw z odpowiedniego otworu rewolweru.



3. Wyjąć obiektyw z gniazda.
4. Ostrożnie wkręcić obiektyw w otwór. Upewnić się, że jest on prawidłowo osadzony w gwincie rewolweru.



5.7 Wyłączanie mikroskopu

- Procedura**
1. Przekręcić pokrętkę natężenia światła.
→ Diody świecące wyłączą się.
 2. Przykryć mikroskop pokrowcem przeciwpyłowym.

6 Czyszczenie

Aby zapewnić optymalną wydajność Mikroskop, należy przeprowadzać regularną konserwację. Aby utrzymać bezpieczeństwo pracy i niezawodność Mikroskop, zalecamy zawarcie **ZEISS Protect Service Agreements** (umowy serwisowej ZEISS Protect). Prosimy prowadzić dziennik serwisowy Mikroskop.

NIEBEZPIECZEŃSTWO

Porażenie prądem elektrycznym przez elementy będące pod napięciem

Jeśli Mikroskop jest włączony, kontakt z elementami pod napięciem może spowodować porażenie prądem elektrycznym lub oparzenie.

- ▶ Przed otwarciem lub czyszczeniem najpierw wyłączyć Mikroskop.
- ▶ Odłączyć części pod napięciem od zasilania.

OGŁOSZENIE

Pogorszenie działania wskutek zanieczyszczenia i wilgoci

Brud, pył i wilgoć mogą pogorszyć funkcjonowanie Mikroskop oraz prowadzić do zwarcia.





- ▶ Jeżeli Mikroskop nie jest używany, założyć osłonę przeciwpylową.
- ▶ Otwory wentylacyjne muszą być zawsze odkryte.
- ▶ Przeprowadzać regularną konserwację i czyszczenie zgodnie z instrukcjami zawartymi w niniejszym dokumencie i informacjami w powiązanych dokumentach.
- ▶ Upewnić się, że do wnętrza Mikroskop nie dostanie się płyn czyszczący ani wilgoć.
- ▶ W przypadku uszkodzenia wadliwe części Mikroskop należy wycofać z eksploatacji.

6.1 Czyszczenie powierzchni optycznych

OGŁOSZENIE

Uszkodzenie soczewki przez niewłaściwe czyszczenie

- ▶ Pył z soczewki usuwać powoli i ostrożnie.
- ▶ Pył z powierzchni optycznych należy usuwać za pomocą szczotki z naturalnego włosia lub zdmuchnąć go za pomocą gumowego mieszka.

- Części i narzędzia**
-  Szmatka do czyszczenia
 -  Wacik bawełniany
 -  Roztwór do czyszczenia optyki (85% n-heksanu i 15% obj. izopropanolu (IPA))
 -  Niestrzępiąca się szmatka

- Procedura**
1. W razie potrzeby zwilżyć roztworem do czyszczenia optyki bawełniany wacik lub szmatkę do czyszczenia.

2. Lekko naciskając, przetrzeć powierzchnie optyczne ruchami okrężnymi w kierunku krawędzi układu optycznego.



NIEPRAWIDŁOWO PRAWIDŁOWO

3. Przetrzeć do sucha niestrzępiącą się szmatką.

6.2 Usuwanie zanieczyszczeń rozpuszczalnych w wodzie

- Części i narzędzia**
- 🔧 Szmatka do czyszczenia
 - 🔧 Niestrzępiąca się szmatka

- Procedura**
1. Zwilżyć wodą szmatkę do czyszczenia.
→ Do wody można dodać łagodny detergent (nie dotyczy rozpuszczalników!).
 2. Przetrzeć powierzchnię szmatką.
 3. Przetrzeć do sucha niestrzępiącą się szmatką.

7 Usuwanie usterek

Poniższa tabela zawiera informacje dotyczące rozwiązywania typowych problemów.

Informacja

Jeżeli nie można rozwiązać problemu lub w razie wątpliwości technicznych skontaktować się z lokalnym serwisantem firmy ZEISS.

| Symptom | Przyczyna | Czynność |
|---------------------------------------------------------------------------|------------------------------------------------------------------------------------------------|-----------------------------------------------------------------------------------------------------------------|
| Pole widzenia nie jest w pełni widoczne | Rewolwer z obiektywami nie jest całkowicie wpięty w ogranicznik zatrzaskowy. | Przekręcić rewolwer z obiektywami w odpowiednią pozycję w ograniczniku zatrzaskowym. |
| | Filtr nie jest prawidłowo umieszczone na przesłonie pola świetlnego. | <i>Prawidłowo zamontować filtr [▶ 171].</i> |
| Niska rozdzielczość i słaby kontrast obrazu | Przesłona apertury nie jest prawidłowo wyregulowana. | Ustawić przesłonę apertury zgodnie z zasadą 2/3 lub cechami próbki. |
| | Kondensator nie jest prawidłowo zogniskowany. | Zogniskować kondensator. |
| | Zastosowano nieprawidłową grubość szkiełka nakrywkowego dla obiektywu o świetle przechodzącym. | Użyć standardowego szkiełka nakrywkowego o grubości 0,17 mm, jeśli obiektywy są dostosowane do takiej grubości. |
| | Obiektywy immersyjne są używane bez lub z nieprawidłowym olejkiem immersyjnym. | Stosować olejki immersyjne 518 N lub 518 F firmy ZEISS. |
| | Olejek immersyjny zawiera bąbelki powietrza. | Powtórzyć proces olejowania świeżym olejkiem. |
| | Przednia soczewka suchego obiektywu jest zabrudzona olejkiem immersyjnym. | Wyczyścić przednią soczewkę suchego obiektywu. |
| | Brud lub pył na powierzchniach optycznych obiektywu, okularów, kondensatorów lub filtrów. | Wyczyścić odpowiednie komponenty optyczne. |
| Wyraźna różnica w ostrości pozycji po zmianie obiektywu. | Okulary ustawiające ostrość nie są prawidłowo ustawione. | Ustawić okulary ogniskujące na odpowiednią wadę wzroku. |
| Źródło światła LED nie świeci po przekręceniu pokrętki natężenia światła. | Wtyczka zasilania nie jest podłączona do gniazda zasilania. | <i>Podłączyć wtyczkę zasilania do gniazda zasilania [▶ 169].</i> |
| Stolik opuszcza się samoczynnie, ostrość jest niestabilna. | Moment obrotowy dokręcenia śruby makrometrycznej jest zbyt słaby. | Skontaktować się z serwisantem firmy ZEISS. |

8 Wycofanie z eksploatacji i utylizacja

Rozdział ten zawiera informacje o wycofaniu z eksploatacji i utylizacji Mikroskop oraz akcesoriach lub komponentach rozszerzających.

8.1 Wycofanie z eksploatacji

Jeżeli Mikroskop nie jest używany przez dłuższy okres, np. kilka miesięcy, należy go całkowicie wyłączyć i zabezpieczyć przed nieautoryzowanym dostępem. Całkowite wycofanie z eksploatacji Mikroskop powinien przeprowadzić lokalny serwisant firmy ZEISS.



NIEBEZPIECZEŃSTWO

Porażenie prądem elektrycznym przez elementy będące pod napięciem

Jeśli Mikroskop jest włączony, kontakt z elementami pod napięciem może spowodować porażenie prądem elektrycznym lub oparzenie.

- ▶ Przed otwarciem lub czyszczeniem najpierw wyłączyć Mikroskop.
- ▶ Odłączyć części pod napięciem od zasilania.

- Procedura**
1. Wyłączyć Mikroskop.
 2. Wyciągnąć wtyczkę sieciową.

8.2 Dekontaminacja

Przed zwrotem zużytych urządzeń do oddziału ZEISS należy złożyć oświadczenie o dekontaminacji.

Jeżeli nie jest możliwa niezawodna dekontaminacja, należy oznaczyć zagrożenie zgodnie z właściwymi przepisami. Generalnie należy umieścić na artykule i na zewnątrz opakowania widoczne znaki ostrzegawcze wraz ze szczegółowymi informacjami o rodzaju skażenia.

8.3 Transport i przechowywanie

Przed i podczas transportu należy przestrzegać następujących zasad:

- Podczas transportu skrzynie muszą być zabezpieczone.
- Unikać kołysania się skrzyń.
- Uwzględnić informacje o wadze na opakowaniu i w dokumentacji przewozowej.
- W miarę możliwości do wysyłki lub transportu należy używać oryginalnego opakowania.

**Maksymalna
odporność na
wstrząsy**

- Nie upuszczać ani nie uderzać skrzynek podczas przenoszenia lub przechowywania. Wszelkie przyspieszenia muszą wynosić < 10 g.
- W momencie dostawy i po transporcie sprawdzić czujniki wstrząsu i pochylenia na opakowaniu.

**Dozwolona
temperatura**

Dozwolona temperatura podczas przechowywania w placówce:

- Między -10°C a +40°C
- Wilgotność względna mniejsza niż 80% przy +40°C

Dopuszczalna temperatura podczas transportu w opakowaniu:

- Między -40°C a +70°C

Informacja

Na 24 godziny przed instalacją Mikroskop wymagane jest, aby skrzynki miały zalecaną temperaturę pokojową, aby uniknąć wnikania wilgoci, która jest bardzo szkodliwa dla ścieżek optycznych, oraz aby zapewnić skuteczną stabilność Mikroskop podczas instalacji i testowania.

8.4 Utylizacja

Mikroskop i jego komponenty nie mogą być utylizowane w punktach zbiórki odpadów komunalnych. Należy je utylizować zgodnie z właściwymi przepisami (dyrektywa WEEE 2012/19/UE). Firma ZEISS wdrożyła system zwrotu i recyklingu urządzeń w państwach członkowskich Unii Europejskiej, gwarantujący właściwy odzysk surowców wtórnych zgodnie z powyższą dyrektywą UE. Klient odpowiada za dekontaminację.

Informacja

Szczegółowe informacje dotyczące utylizacji i recyklingu można uzyskać od lokalnego partnera handlowego i serwisowego ZEISS.

9 Dane techniczne i informacje o zgodności z przepisami

Rozdział ten zawiera ważne dane techniczne oraz informacje dotyczące zgodności z dyrektywami europejskimi.

9.1 Właściwe normy i przepisy

Przestrzegać wszystkich krajowych przepisów bezpieczeństwa oraz właściwych regulacji prawnych dotyczących ochrony środowiska.

Mikroskop spełnia wymagania poniższych regulacji i dyrektyw:

| | |
|-----------------------------------------|------------------------------------------------------------------------------------------------------------------------------------------------------------------------------------------|
| 2011/65/UE 2015/836/UE | Dyrektywa RoHS |
| 98/79/WE | Dyrektywa IvD |
| EN 55011 | Emisja hałasu zgodnie z normą CISPR 11 Grupa 1 Klasa B Przeznaczenie do użytku w środowisku przemysłowym |
| EN 61010-1 oraz IEC 61010-2-101 | Wymagania bezpieczeństwa dotyczące elektrycznych przyrządów pomiarowych, automatyki i urządzeń laboratoryjnych |
| DIN EN 61326-1 DIN EN 61326-2-6:2013 | Wyposażenie elektryczne do pomiarów, sterowania i użytku w laboratoriach – Wymagania dotyczące kompatybilności elektromagnetycznej (EMC) / wymogi IVD |
| EN 62471 | Bezpieczeństwo fotobiologiczne lamp i systemów oświetlenia Zgodność z wartościami dopuszczalnymi zgodnie z normą EN 62471 Grupa ryzyka 1 (z wyłączeniem grupy patrzącej przez okular) |

Akcesoria Mikroskop zostały sklasyfikowane jako urządzenie kategorii 9 (sprzęt laboratoryjny lub porównywalny standard). Ponadto są zgodne z rozporządzeniami UE 2011/65/UE (RoHS) i 2012/19/UE (WEEE).

Europejskie i międzynarodowe dyrektywy/normy: Więcej informacji na temat certyfikatów ISO i CSA lub deklaracji zgodności WE można uzyskać u partnera handlowego i serwisowego ZEISS.

Firma ZEISS pracuje zgodnie z certyfikowanym systemem zarządzania środowiskowego zgodnym z normą ISO 14001. Mikroskop został zaprojektowany, przetestowany i wyprodukowany zgodnie z obowiązującymi przepisami i wytycznymi w zakresie prawa ochrony środowiska Unii Europejskiej.

9.2 Dane eksploatacyjne i specyfikacje

Mikroskop może być stosowany tylko w zamkniętych pomieszczeniach. Zaleca się instalację Mikroskop w ciemnym pomieszczeniu, w którym sztuczne oświetlenie, światło słoneczne lub inne źródła światła nie wpływają na proces pozyskiwania obrazów. Mikroskop nie powinien być instalowany w pobliżu grzejników ani bezpośrednio nasłonecznionych okien. Klient odpowiada za zgodność Mikroskop z wymaganiami montażowymi i dostępność wymaganych źródeł zasilania w momencie montażu. W ramach doskonalenia technicznego zastrzegamy sobie prawo do zmiany specyfikacji technicznej bez uprzedniego powiadomienia.

Mikroskop należy podłączyć do prawidłowo zainstalowanego gniazda elektrycznego ze stykiem ochronnym za pomocą dostarczonego przewodu zasilającego. Stosowanie przedłużaczy nie może pogarszać działania uziemienia ochronnego.

Informacja

Lokalny partner handlowy i serwisowy ZEISS poinformuje o szczegółowych wymaganiach montażowych.

| | | | | | |
|------------------------------|----------------------------------|-----------------------------------------------|-----------------------|----------------------|------------------|
| Masa i rozmiary | Główne komponenty | Długość (mm) | Szerokość (mm) | Wysokość (mm) | Masa (kg) |
| | Statyw z tubusem binokularowym | 410 | 190 | 395 | 7,7 |
| Klimatyzacja i jakość | Zakres temperatur eksploatacji | 5 do 40°C | | | |
| | Względna wilgotność powietrza | < 80% przy 35°C | | | |
| | Ciśnienie atmosferyczne/wysokość | 800 do 1060 hPa / ≤ 2000 m nad poziomem morza | | | |
| | Stopień zanieczyszczenia | 2 | | | |
| Zasilacz sieciowy | Napięcie nominalne AC | L/N 100 do 240 V ± 10% | | | |
| | Częstotliwość nominalna | 50/60 Hz | | | |
| | Główna wtyczka sieciowa | Dostarczana jest lokalna wtyczka sieciowa. | | | |
| | Pobór mocy | maks. 0,8 A | | | |
| | Wyjście | 12 V DC, maks. 2.5 A | | | |
| Przyłącze sieciowe | Wejście znamionowe statywu | 12 V DC, 2,5 A | | | |
| | Klasa ochronności | IP20 (IEC 60529) | | | |
| | Klasa uziemienia IEC | Klasa III IEC 61140 | | | |
| | Kategoria przepięcia | II | | | |

9.3 Dane eksploatacyjne i specyfikacje komponentów opcjonalnych

Klient jest odpowiedzialny za zapewnienie, że warunki instalacji mikroskopu są spełnione i że wymagane wyposażenie jest dostępne w momencie instalacji. Ze względu na ciągły rozwój techniczny zastrzega się możliwość zmian.

| | | |
|---------------------------------------|---------------------------------------------------|----------------------------------------------------|
| Podświetlenie LED | LED | biała barwa światła |
| | Szczytowa długość fali | 440 nm |
| | Klasa LED | 1 |
| | Stała, niezależna od jasności temperatura barwowa | 3200 K |
| | Jednorodne podświetlenie pola | 20 mm (średnica) |
| | Odpowiednie dla celów o powiększeniach | od 4x do 100x |
| | Analogowa regulacja jasności od | ok. 15 do 100% |
| Statyw z ogniskowaniem stolika | Śruba makrometryczna | 42 mm/obr. |
| | Śruba mikrometryczna | 0,2 mm/obr. |
| | Całkowite podniesienie stolika | 15 mm |
| Rewolwer | Zmiana obiektywu | ręczna, za pomocą rewolweru z czterema obiektywami |
| | Obiektywy | bezzakresowa korekcja obiektywu |
| | Gwint montażowy | W 0,8 |
| Okulary | Rozmiar tubusu | 30 mm |
| | Liczba pól widzenia | 20 |
| | Powiększenie | 10x |
| | Odpowiednie dla osób noszących okulary | Br. |
| | Ogniskowanie | Foc. |
| Stolik na próbki | Typ | bezstopniowy |
| | Wymiary (szerokość x głębokość) | 140 x 140 mm |
| | Przesuw stolika (X x Y) | 75 x 40 mm |
| | Śruba współosiowa | opcjonalnie lewa lub prawa |
| | Podziałki noniusza | odczyt po prawej stronie |
| | Uchwyt próbki | z dźwignią sprężynową, po lewej stronie |

| | | |
|----------------------------------|-------------------------------------------|--------------------------------------|
| Kondensator | Kondensator Abbe 0,9; Fixed - Köhler | dla V_{obj} 4x do 100x |
| Lustro podświetlające | Powierzchnia płaska i sferyczna o f' | 75 mm |
| Tubus binokularowy 30°/20 | Maksymalna liczba pól widzenia | 20 |
| | Odległość między źrenicami | regulowana w zakresie od 50 do 75 mm |
| | Kąt tubusu | 30° |
| | Wysokość obserwacji | 380–415 mm |
| | Króciec obserwacyjny, współczynnik tubusu | 1x |

10 Akcesoria i opcjonalne zestawy rozszerzeniowe

Z Mikroskopwolno stosować tylko podane niżej akcesoria, o ile ich bezpieczne stosowanie zostało zatwierdzone przez ZEISS. Wolno stosować tylko oryginalne części firmy ZEISS. Sprawdzić wcześniej, czy posiadany Mikroskop może być doposażony w zestaw rozszerzeniowy.

Po montażu lub przebudowie należy dokładnie sprawdzić, czy Mikroskop i jego zestawy rozszerzeniowe/komponenty są gotowe do bezpiecznej pracy i czy nieużywane przyłącza na statywie są zamknięte. Szczegółowe informacje i środki bezpieczeństwa znajdują się w odpowiednich dokumentach towarzyszących.

Informacja

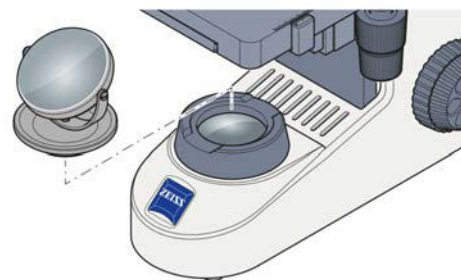
Dodatkowe informacje i szczegółowe opisy są dostępne w powiązanych dokumentach bądź można je uzyskać od partnera handlowego i serwisowego ZEISS.

| Nazwa | Opis/informacje |
|-----------|---------------------------------------------------------------------------------------------------------------------------------------------------------------------------------------------------------------------------------------------------------------------------------------------------------------------------------------------------------------------------------------------------------------------------------------------------------------------------------------------------------------------------------------------------------------------------------------------------------------------|
| Obiektywy | <p>Na jakość obrazów pozyskiwanych przez mikroskop w największym stopniu wpływa wydajność obiektywów mikroskopu. W zależności od stosowania próbek histologicznych, komórkowych czy też całych mikroorganizmów – przydatność obiektywów mikroskopowych do konkretnego zastosowania zależy od różnych czynników.</p> <p>Więcej szczegółowych informacji na temat dostępnych i zalecanych obiektywów można znaleźć na stronie https://www.micro-shop.zeiss.com/de/de/shop/objectives lub uzyskać od partnera handlowego i serwisowego ZEISS.</p> |
| Lustro | Gdy nie ma dostępu do gniazda elektrycznego, do oświetlania próbki służy lustro. |

10.1 Montaż lustra

Funkcjonować Lustro służy do oświetlania próbki, jeśli gniazdo elektryczne nie jest dostępne.

Procedura 1. Umieścić lustro na mocowaniu przysłony pola świetlnego.



2. Obracać i pochylać lustro tak, aby światło dzienne odbijało się jednorodnie na torze świetlnym.

W celu demontażu czynności należy wykonać w odwrotnej kolejności.

Słownik

NA

Apertura numeryczna

Partner handlowy i serwisowy ZEISS

Partner handlowy i serwisowy z reguły pracuje w terenie, aby wspierać klientów w regionie i/lub w jasno zdefiniowanej grupie klientów.

Punkt serwisowy ZEISS

Specjalnie przeszkolony ekspert serwisowy, pracownik firmy ZEISS albo autoryzowany partner serwisowy firmy ZEISS.

Użytkownik

Osoba badająca próbkę pod mikroskopem.

ZEISS

Firma ZEISS jest czołowym na świecie przedsiębiorstwem technologicznym działającym w dziedzinie optyki i optoelektroniki. Więcej informacji o firmie ZEISS można znaleźć na stronie www.zeiss.com.

Indeks

A

| | |
|---------------------|-----|
| Akcesoria | 183 |
| Apertura numeryczna | 167 |

B

| | |
|--------------------------|-----|
| Bezpieczeństwo | 160 |
| Bezpieczne warunki pracy | 161 |

C

| | |
|-----------------------------------------|-----|
| Czyszczenie | |
| Zanieczyszczenia rozpuszczalne w wodzie | 175 |

D

| | |
|----------------|-----|
| Dekontaminacja | 177 |
|----------------|-----|

E

| | |
|------------------|-----|
| Elementy obsługi | 165 |
|------------------|-----|

F

| | |
|-------|-----|
| Filtr | 171 |
|-------|-----|

J

| | |
|------------|-----|
| Jasne pole | 171 |
|------------|-----|

K

| | |
|-----------------------|-----|
| Klimatyzacja i jakość | 180 |
| Konserwacja | 174 |

L

| | |
|--------|-----|
| Lustro | 183 |
|--------|-----|

M

| | |
|-----------------|-----|
| Masa i rozmiary | 180 |
| Montaż | |
| Filtr | 171 |
| Lustro | 183 |
| Obiektyw | 173 |

O

| | |
|--------------------------------------------|----------|
| Obiektyw | 167, 173 |
| Obraz | 171 |
| Odległość między źrenicami | 170 |
| Ogólne informacje dotyczące bezpieczeństwa | 160 |
| Okular | 168 |

| | |
|------------------------------------------|----------|
| Opcjonalne zestawy rozszerzeniowe | 183 |
| Montaż | 183 |
| Ostrzeżenie | |
| Diody | 162 |
| Tablice | 162, 163 |
| Oświetlenie jasnego pola źródłem światła | 171 |

P

| | |
|------------------------|-----|
| Parametry wydajności | 180 |
| Podłączanie mikroskopu | 169 |
| Praca | |
| Warunki wstępne | 170 |
| Przyłącze sieciowe | 180 |

S

| | |
|-----------|-----|
| Skażenie | 177 |
| Szkolenie | 161 |

U

| | |
|-------------------------------------|-----|
| Usuwanie usterek | 176 |
| Utylizacja | 178 |
| Użytkowanie zgodne z przeznaczeniem | 160 |

W

| | |
|-------------------------------------|----------|
| Warunki wstępne | |
| Praca | 170 |
| Włączanie | 170 |
| Współczynnik powiększenia obiektywu | 167 |
| Wyłączanie | 173, 177 |
| Wymogi | |
| dla operatorów | 160 |
| Wysokość obserwacji | 171 |

Z

| | |
|--------------------|-----|
| Zagrożenia | 161 |
| Zapobieganie | 161 |
| ZEISS | |
| Portal | 159 |
| Umowa serwisowa | 174 |
| Znaki informacyjne | 163 |
| Znaki ostrzegawcze | 163 |

Índice

| | | |
|----------|-------------------------------------------------------------------------|------------|
| 1 | General Information..... | 188 |
| 1.1 | Convenções de texto e tipos de ligação..... | 188 |
| 1.2 | Outros documentos aplicáveis..... | 188 |
| 1.3 | Explicação sobre mensagens de aviso e informações adicionais..... | 189 |
| 1.4 | Contacto..... | 190 |
| 2 | Segurança..... | 191 |
| 2.1 | Utilização prevista..... | 191 |
| 2.2 | Informação geral de segurança..... | 191 |
| 2.2.1 | Requisitos para operadores..... | 191 |
| 2.2.2 | Condição operacional segura..... | 192 |
| 2.3 | Prevenção de riscos..... | 192 |
| 2.3.1 | Riscos mecânicos..... | 192 |
| 2.3.2 | Riscos elétricos..... | 192 |
| 2.3.3 | Riscos gerados com o ambiente de operação..... | 192 |
| 2.3.4 | Riscos ergonómicos..... | 193 |
| 2.3.5 | Riscos gerados por materiais e substâncias..... | 193 |
| 2.4 | Autocolantes e luzes de aviso..... | 193 |
| 2.4.1 | Significado das etiquetas de aviso e de informação..... | 194 |
| 2.4.2 | Etiquetas de aviso e de informação no suporte..... | 194 |
| 3 | Descrição do produto e do funcionamento..... | 195 |
| 3.1 | Componentes principais do Primostar 1..... | 195 |
| 3.2 | Elementos de comando e indicações no suporte..... | 196 |
| 3.3 | Objetivas..... | 198 |
| 3.4 | Ocular..... | 199 |
| 4 | Instalação..... | 200 |
| 4.1 | Ligar o microscópio à alimentação de rede elétrica..... | 200 |
| 5 | Primeiros passos para a operação..... | 201 |
| 5.1 | Pré-requisitos para a colocação em funcionamento e para a operação..... | 201 |
| 5.2 | Ativar o microscópio..... | 201 |
| 5.3 | Ajustar a posição das oculares..... | 201 |
| 5.4 | Instalar o filtro azul..... | 202 |
| 5.5 | Aquisição de uma imagem..... | 202 |
| 5.6 | Mudar as objetivas..... | 204 |
| 5.7 | Desligar o microscópio..... | 204 |
| 6 | Cuidados e trabalhos de limpeza..... | 205 |
| 6.1 | Limpar uma superfície ótica..... | 205 |
| 6.2 | Eliminar sujidade solúvel em água..... | 206 |
| 7 | Resolução de problemas..... | 207 |

| | | |
|-----------|---------------------------------------------------------------------|------------|
| 8 | Colocação fora de funcionamento e eliminação..... | 209 |
| 8.1 | Colocação fora de funcionamento | 209 |
| 8.2 | Descontaminação | 209 |
| 8.3 | Transporte e armazenamento | 209 |
| 8.4 | Eliminação | 210 |
| 9 | Dados técnicos e conformidade | 211 |
| 9.1 | Normas e regulamentos aplicáveis | 211 |
| 9.2 | Dados de potência/especificação..... | 211 |
| 9.3 | Dados e especificações de desempenho dos componentes opcionais..... | 213 |
| 10 | Acessórios e Expansões Opcionais do Sistema..... | 215 |
| 10.1 | Instalar o espelho..... | 215 |
| | Glossário..... | 216 |
| | Índice..... | 217 |

1 General Information

Este manual de instruções é considerado como parte do Primostar 1. Adiante designado como Microscópio.

Este Manual de instruções contém passos básicos e informações de segurança que têm de ser observados durante a operação e manutenção. Como tal, o Manual de instruções tem de ser lido impreterivelmente antes da colocação em funcionamento pela entidade exploradora e deve estar sempre disponível no local de utilização do Microscópio. Este Manual de instruções é uma parte essencial do Microscópio e, se o Microscópio for vendido, o Manual de instruções deve ficar junto do Microscópio ou entregue ao novo proprietário.

1.1 Convenções de texto e tipos de ligação

São utilizados os seguintes tipos de links e convenções de texto:

| Convenção de texto | Significado |
|------------------------------------------------------------------------------------------------|------------------------------------------------------------------------------------------------------------------------------------------------------------------------------------------|
| Clique em Start . Prima o botão STANDBY . Prima [Enter] no teclado. | Os nomes dos elementos de comando e a informação importante são representados em negrito. |
| Premir <Ctrl+Alt+Del> | Prima várias teclas no teclado ao mesmo tempo. |
| Selecionar Tools > Goto Control Panel > Airlock . | Segue um caminho no software. |
| <i>Entrada de texto</i> | Texto a ser inserido pelo utilizador |
| Programação e macros | O que for introduzido textualmente ao programar, incluindo p. ex. códigos de macro, palavras-chave, tipos de dados, nomes de métodos, variáveis, nomes de classes e nomes de interfaces. |

Tab. 1: Convenção de texto

| Tipo de link | Significado |
|-----------------------------------------------------------------------------------------------------------|-----------------------------------------------|
| Ver: <i>Convenções de texto e tipos de ligação [▶ 188]</i> . | Link para mais informações sobre este tópico. |
| https://www.zeiss.com/corporate/int/home.html | Link para a homepage na Internet. |

Tab. 2: Tipos de links

1.2 Outros documentos aplicáveis

Tome igualmente nota dos seguintes documentos:

Brochuras e Certificados Para obter brochuras, certificados ISO, certificados CSA e declarações de conformidades UE, solicite ao seu Parceiro de vendas e assistência técnica ZEISS.

Regulamentos locais e nacionais de saúde e segurança Os regulamentos locais e nacionais de saúde e segurança devem ser respeitados relativamente ao local e à utilização do Microscópio. Consulte o seu Parceiro de vendas e assistência técnica ZEISS em caso de conflito entre estes regulamentos e os requisitos de instalação do Microscópio.

| | |
|----------------------------------------------------------|----------------------------------------------------------------------------------------------------------------------------------------------------------------------------------------------------------------------------------------------------------------------------|
| Fichas de dados de segurança | Respeite as folhas de dados de segurança fornecidas. Devem ser respeitadas as instruções e diretivas nas respetivas folhas de dados de segurança. |
| Componentes de sistema e de terceiros, acessórios | O Microscópio pode ser configurado de modo versátil. As informações sobre os componentes individuais, melhorias e acessórios podem ser obtidas junto do seu parceiro de vendas e assistência técnica ZEISS. Consulte igualmente a documentação de terceiros do fabricante. |

1.3 Explicação sobre mensagens de aviso e informações adicionais

PERIGO, AVISO e CUIDADO são palavras de sinalização padronizadas para determinar os níveis dos perigos e riscos associados aos danos pessoais e materiais. As mensagens de aviso e segurança não só têm de ser respeitadas no capítulo **Segurança**, como também nos outros capítulos. O incumprimento destas indicações e avisos pode levar a danos não só pessoais, como também materiais e à perda de quaisquer direitos de indemnização por danos.

Neste documento são utilizadas mensagens de aviso relativas a situações perigosas e perigos.

PERIGO

Tipo e fonte do perigo

PERIGO indica uma situação de perigo iminente que, se não for evitada, resultará em morte ou ferimentos graves.

AVISO

Tipo e fonte do perigo

AVISO indica uma situação de perigo potencial que, se não for evitada, pode resultar em morte ou ferimentos graves.

CUIDADO

Tipo e fonte do perigo

CUIDADO indica uma situação de perigo potencial que, se não for evitada, pode resultar em ferimentos ligeiros ou moderados.

AVISO

Tipo e fonte do perigo

AVISO designa uma situação possivelmente prejudicial. Se não for prevenida, podem ocorrer danos materiais.

Em Formação

Dá informações adicionais ou explicações que ajudam os utilizadores a compreender melhor os conteúdos desta Manual de instruções.

1.4 Contacto

Se tiver questões ou problemas, contacte o seu Parceiro de vendas e assistência técnica ZEISS ou um dos seguintes endereços:

Sede

Telefone: +49 1803 33 63 34

Fax: +49 3641 64 3439

Email: info.microscopy.de@zeiss.com

Cursos e formações

E-mail: courses.microscopy.de@zeiss.com

Portal ZEISS

O portal ZEISS (<https://portal.zeiss.com/>) disponibiliza vários serviços que simplificam o seu trabalho diário com os sistemas ZEISS (aparelhos e software). É alvo de melhorias e atualizações constantes para melhor corresponder às suas necessidades e exigências.

Parceiro de vendas e assistência técnica ZEISS

Pode encontrar um parceiro de vendas e assistência técnica ZEISS na sua área em <https://www.zeiss.de/mikroskopie/website/forms/sales-and-service-contacts.html>.

Assistência técnica na Alemanha

Telefone: +49 7364 20 3800

Fax: +49 7364 20 3226

E-mail: service.microscopy.de@zeiss.com

2 Segurança

Este capítulo contém os requisitos gerais para um trabalho seguro. Qualquer pessoa que utilize o Microscópio ou esteja incumbida da instalação e conservação, deverá ler e respeitar estas instruções de segurança gerais. O conhecimento dos requisitos e instruções básicas de segurança é imprescindível para o manuseio seguro e o funcionamento isento de falhas. A segurança operacional do Microscópio fornecido só está garantida em caso de uso adequado.

As atividades, associadas a riscos residuais, são assinaladas por uma nota específica nos pontos relevantes deste documento. As peças cujo manuseamento exige um cuidado especial, apresentam uma etiqueta de aviso. Estes avisos têm de ser sempre respeitados.

2.1 Utilização prevista

O Primostar 1 é um microscópio que foi especialmente concebido para ensino e prática.

As aplicações habituais incluem:

- ensino (aulas, estudo)
- laboratórios
- práticas médicas

O uso inadequado pode facilmente comprometer o funcionamento ou até causar danos no Microscópio. Os danos provocados pela utilização incorreta, negligência ou intervenção não autorizada, nomeadamente através de remoção, modificação ou substituição de peças do Microscópio, não podem ser considerados responsabilidade do fabricante do dispositivo. Não podem ser utilizados dispositivos ou componentes de terceiros que não sejam expressamente autorizados pela ZEISS.

2.2 Informação geral de segurança

Este Manual de instruções deve ser lida antes da colocação em funcionamento para garantir um funcionamento seguro e durável. Preste especial atenção a todas as notas de segurança listadas. Certifique-se de que

- o pessoal operador leu e compreendeu este Manual de instruções, os documentos correspondentes e especialmente todas as instruções e indicações de segurança, e aplica-os.
- os regulamentos locais e nacionais de segurança e de prevenção de acidentes devem ser respeitados, bem como a legislação e regulamentação aplicáveis no seu país.
- este Manual de instruções está sempre disponível com/juntamente com o Microscópio.
- o Microscópio se encontra em estado impecável.
- O Microscópio não pode ser utilizado por pessoas que não estejam autorizadas a fazê-lo.
- os trabalhos de manutenção e reparação, montagem, remoção ou substituição de componentes, bem como qualquer outra intervenção no Microscópio não descritos neste Manual de instruções, só podem ser executados pelo fabricante ZEISS ou por pessoas expressamente autorizadas pela ZEISS para o efeito.

2.2.1 Requisitos para operadores

O Microscópio, os respetivos componentes e acessórios só podem ser operados e sujeitos a manutenção por pessoal autorizado e formado. O Microscópio só pode ser utilizado de acordo com este Manual de instruções. Se o Microscópio não for utilizado conforme descrito, a segurança do utilizador pode ficar comprometida e/ou o Microscópio ser danificado. Em caso de uma intervenção não autorizada ou de uso inadequado cessam quaisquer direitos de garantia. Os regulamentos regionais sobre proteção da saúde e prevenção de acidentes devem ser sempre respeitados e considerados durante todos os trabalhos no e com o Microscópio.

Formação Pessoal autorizado pela ZEISS irá dar formação básica sobre o funcionamento do Microscópio, bem como informações sobre segurança do equipamento e manutenção que pode ser levada a cabo pelo operador. A formação será documentada pela ZEISS e a realização tem de ser confirmada pela entidade exploradora.

Mediante pagamento são disponibilizadas formações de aplicação especiais. As datas atuais das sessões de formação, informações adicionais e o formulário de registo podem ser encontradas em <https://www.zeiss.com/microscopy/int/service-support/training-and-education.html>.

2.2.2 Condição operacional segura

Se ocorrerem circunstâncias que prejudiquem a segurança e causem mudanças no comportamento operacional, o Microscópio deve ser desligado imediatamente e deve-se informar um representante de serviços ZEISS. O Microscópio só deve ser operado após a instalação correta por um Representante de serviços ZEISS e em conformidade com as condições de operação. O Microscópio só deve ser operado após a instalação correta por um Representante de serviços ZEISS e se as condições de operação forem respeitadas.

- Não operar o Microscópio antes de ler e compreender completamente toda a documentação fornecida com o Microscópio.
- Assegurar que todos os painéis de cobertura de proteção estão instalados e que todas as etiquetas de aviso estão disponíveis e legíveis.
- Assegurar as condições e tomar medidas para prevenir o aumento de carga eletrostática no local de trabalho.

2.3 Prevenção de riscos

Esta secção resume possíveis perigos e as precauções de segurança recomendadas. O não cumprimento das instruções de segurança e das instruções de operação podem resultar em ferimentos pessoais e danos materiais.

2.3.1 Riscos mecânicos

Danos materiais devido ao transporte Existe um risco de ferimentos e de danos materiais caso o Microscópio seja manuseado e transportado inadequadamente.

- Utilize apenas a pega, se aplicável, para transporte do Microscópio. Caso contrário, pegue no Microscópio com uma mão e na placa de base com a outra.

2.3.2 Riscos elétricos

Riscos devido à tensão elétrica Risco de choque elétrico em caso de contacto com peças condutoras de corrente elétrica.

Utilize sempre o adaptador de alimentação fornecido pela ZEISS. Se for utilizado um adaptador de alimentação inadequado, a ZEISS já não pode garantir a segurança elétrica e a funcionalidade do Microscópio.

- Desligue o Microscópio.
- Desligue a fonte de alimentação antes da limpeza.
- Configure e opere o Microscópio de forma a que os conectores sejam facilmente acessíveis.

2.3.3 Riscos gerados com o ambiente de operação

Sujidade, pó e humidade A sujidade, o pó e a humidade podem comprometer o funcionamento do Microscópio.

- Desligue o Microscópio sempre que este não estiver a ser utilizado e cubra-o com uma capa de proteção contra o pó.
- Cubra sempre as aberturas/portas não utilizadas.
- Realize a manutenção e limpeza regulares de acordo com as instruções deste documento.

- Certifique-se de que não ocorre qualquer entrada de líquidos de limpeza ou humidade no interior do Microscópio.
- Certifique-se de que as partes elétricas nunca entram em contacto com humidade.
- Nunca exponha o Microscópio a condições climáticas inadmissíveis (humidade e temperatura elevadas).

2.3.4 Riscos ergonómicos

Prevenção de lesões músculo-esqueléticas As lesões músculo-esqueléticas (MSD) afetam os músculos, nervos, vasos sanguíneos, ligamentos e tendões. Os trabalhadores de várias indústrias e profissões podem estar expostos a fatores de risco no trabalho, como pegarem em objetos pesados, dobrarem-se, esticarem-se para cima, puxarem e empurrarem cargas pesadas, trabalharem em posturas corporais desconfortáveis e efetuarem a mesma tarefa ou semelhante repetidamente. Os empregadores são responsáveis por proporcionar um local de trabalho saudável e seguro aos seus empregados.

2.3.5 Riscos gerados por materiais e substâncias

Riscos de infeção O contacto direto com as oculares pode ser uma forma potencial de transmitir infeções bacterianas e virais.

- O risco pode ser reduzido com o uso de oculares pessoais ou protetores oculares. Se as oculares tiverem de ser desinfetadas com frequência, a ZEISS recomenda o uso das oculares sem protetores oculares.
- Para evitar infeções, é altamente recomendado o uso de equipamento de proteção individual (EPI), por ex. luvas para operação, limpeza e descontaminação. Luvas descartáveis podem ser descontaminadas com, por ex., álcool, se necessário, ou devem ser trocadas frequentemente para minimizar o risco de contaminação.

Riscos gerados por consumíveis O manuseamento incorreto dos consumíveis e dos agentes de limpeza pode provocar danos materiais ou lesões cutâneas e oculares. Os consumíveis não aprovados pela ZEISS podem causar danos materiais. Consulte o seu Parceiro de vendas e assistência técnica ZEISS para saber quais consumíveis pode encomendar e como deverá manuseá-los.

Riscos gerados por desinfetantes Assegure uma ventilação adequada em espaços fechados. Em caso de ventilação insuficiente, use equipamento respiratório de proteção. Remova quaisquer resíduos nocivos. Deixe o dispositivo secar após a desinfecção, em especial após a desinfecção das oculares. Não inale os vapores. Ao utilizar desinfetantes, não coma, beba ou fume. Evite o contacto com os olhos e a pele. Remova o vestuário contaminado e lave antes de voltar a utilizar.

Irritação dos olhos, pele e do trato respiratório A exposição a químicos e aos seus aerossóis pode causar irritação dos olhos, pele e trato respiratório. Utilize equipamento de proteção individual (EPI) adequado.

2.4 Autocolantes e luzes de aviso

Todas as partes do Microscópio que podem representar perigos específicos estão marcadas com etiquetas de aviso adicionais (pictogramas) no Microscópio. Estas etiquetas de aviso indicam perigos potenciais e fazem parte deste Manual de instruções. Elas devem ser mantidas limpas e em condições de serem facilmente legíveis.

Verificar se todas as etiquetas de aviso obrigatórias estão: disponíveis, legíveis, corretas. Etiquetas de aviso danificadas ou ilegíveis devem ser substituídas imediatamente. Devem sempre ser observadas todas as etiquetas de aviso em todo o Microscópio.

2.4.1 Significado das etiquetas de aviso e de informação

O significado das várias etiquetas de aviso é explicado em seguida:

| Pos. | Símbolo | Descrição |
|------|---------|----------------------------------------------------------------------------------------------------------------------|
| 1 | | Etiqueta de tipo de microscópio |
| 2 | | Superfície quente em baixo Opere o microscópio apenas numa superfície estável, sólida, suave e não inflamável. |
| 3 | | Etiqueta de tipo de microscópio |
| 4 | | Primostar 1 Importador para a UE Carl Zeiss Microscopy GmbH Carl-Zeiss-Promenade 10 07745 Jena, Alemanha |

2.4.2 Etiquetas de aviso e de informação no suporte

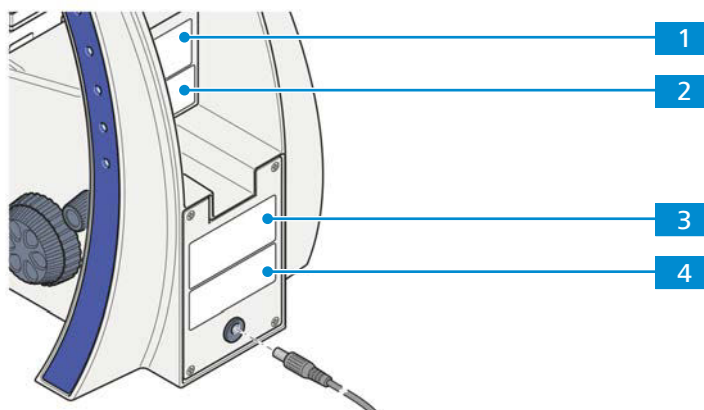


Fig. 1: Posição das etiquetas de aviso e de informação

3 Descrição do produto e do funcionamento

O Primostar 1 é um microscópio de luz transmitida compacto que ocupa pouco espaço.

O Primostar 1 é um microscópio que foi especialmente desenvolvido para ensino e rotina. É caracterizado por uma grande durabilidade em utilização permanente.

3.1 Componentes principais do Primostar 1

O Primostar 1 compreende os seguintes componentes principais

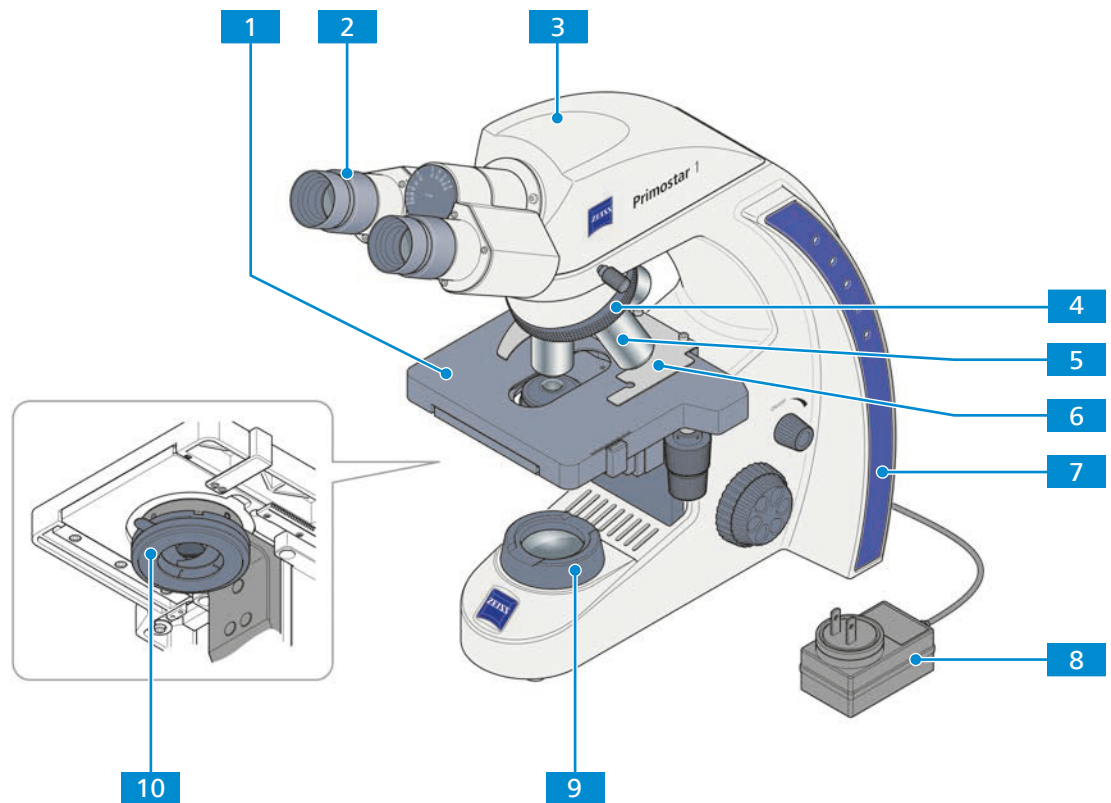


Fig. 2: Principais componentes do Primostar 1

- | | | | |
|----------|------------------------------------------|-----------|-------------------------------|
| 1 | Platina | 2 | Ocular |
| 3 | Tubo | 4 | Revólver |
| 5 | Objetiva | 6 | Suporte de amostra |
| 7 | Estativa | 8 | Unidade de fonte de energia |
| 9 | Unidade de iluminação de luz transmitida | 10 | Condensador Abbe, Köhler fixo |

3.2 Elementos de comando e indicações no suporte

Propósito Os controlos do controlo da estativa controlam as principais funções do microscópio.

Posição Os seguintes controlos estão localizados no lado direito da estativa.

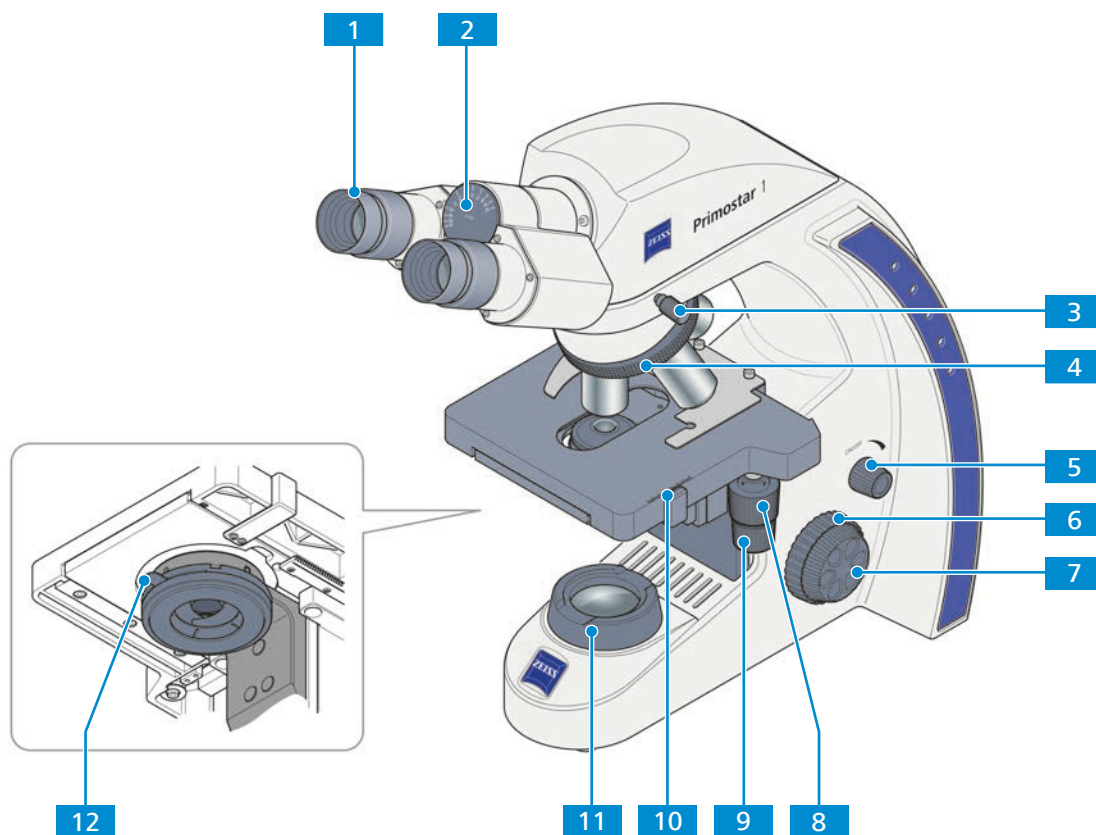


Fig. 3: Controlos no lado direito da estativa

- | | | | |
|-----------|----------------------------------------------------|-----------|--------------------------------------------------------------|
| 1 | Ocular, ajustável | 2 | Indicador da distância interpupilar |
| 3 | Parafuso de fixação do tubo de observação | 4 | Anel serrilhado para girar o revólver |
| 5 | Botão de intensidade da luz | 6 | Botão de foco aproximado (lado direito) |
| 7 | Botão de foco preciso (lado direito) | 8 | Botão de controlo para o curso Y da platina sem rack |
| 9 | Botão de controlo para curso X da platina sem rack | 10 | Vernier e escala, exibindo a posição Y da platina |
| 11 | Unidade de iluminação de luz transmitida | 12 | Alavanca para ajustar o diafragma de abertura do condensador |

Posição Os seguintes controlos estão localizados no lado esquerdo da estativa.

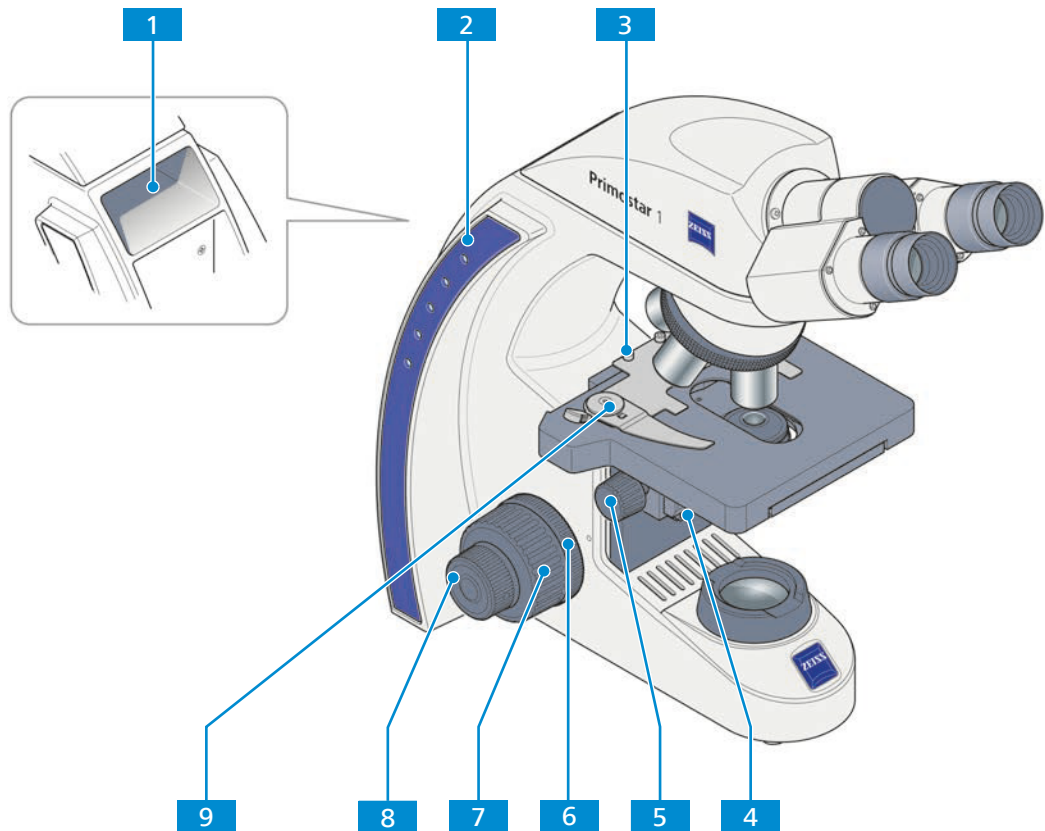
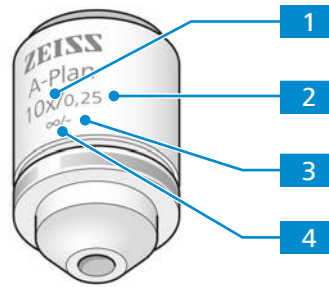


Fig. 4: Controlos no lado esquerdo da estativa

- | | | | |
|----------|--------------------------------------------------------|----------|----------------------------------------------------------------------|
| 1 | Pega de transporte | 2 | Indicadores de intensidade de iluminação para luz transmitida |
| 3 | Parafuso de fixação para o suporte de amostra | 4 | Parafuso de fixação para baixar o condensador |
| 5 | Anel serrilhado para o ajuste de altura do condensador | 6 | Anel serrilhado para ajustar a suavidade do botão de foco aproximado |
| 7 | Botão de foco aproximado (lado esquerdo) | 8 | Botão de foco preciso (lado esquerdo) |
| 9 | Alavanca do suporte de amostra para fixação da amostra | | |

3.3 Objetivas

As características funcionais de uma objetiva são indicadas na etiqueta respetiva, p. ex. **A-Plan 10x/0,25 ∞/-**.



1 Ampliação da objetiva

O fator de ampliação especifica a ampliação da objetiva. Uma maior ampliação permite determinar características mais pequenas na amostra.

O fator de ampliação da objetiva também se encontra expresso pelo anel de cor utilizado, consulte o código de cores da ZEISS.

O valor de ampliação geral resulta da multiplicação do valor da ampliação da objetiva pelo valor da ampliação da ocular.

2 Abertura numérica (AN)

A abertura numérica multiplicada por 1000 representa a ampliação máxima útil - acima desse valor não existe qualquer resolução adicional.

3 Espessura do vidro de cobertura aplicável

- : A objetiva pode ser utilizada sem vidro de cobertura com uma espessura de 0,17 mm.

0: A objetiva pode ser utilizada sem vidro de cobertura.

0,17: A objetiva pode ser utilizada com vidro de cobertura com uma espessura de 0,17 mm.

4 Comprimento do tubo mecânico

A objetiva pode ser utilizada com tubos de qualquer comprimento.

Em Formação

Devido à sua curta distância de trabalho, as seguintes objetivas têm uma montagem resiliente (proteção da amostra):

- ▶ 40x
- ▶ 100x oil

3.4 Ocular

Propósito As oculares são utilizadas para observar a imagem microscópica.

Posição As oculares são introduzidas no tubo.

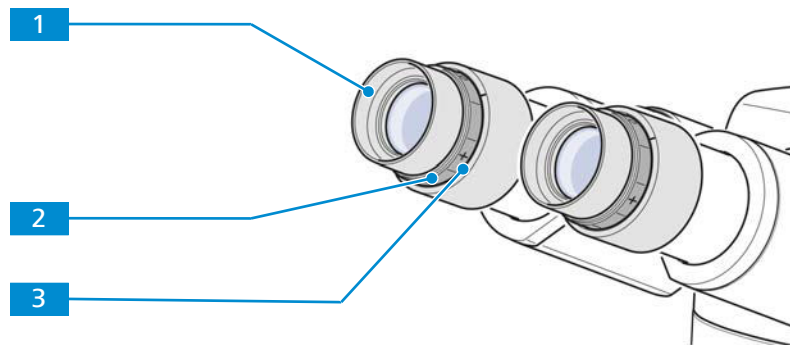


Fig. 5: Ocular

1 Protetor de borracha dobrável

2 Anel de focagem para compensar quaisquer problemas de visão

3 Escala de dioptrias para agilizar o processo de configuração

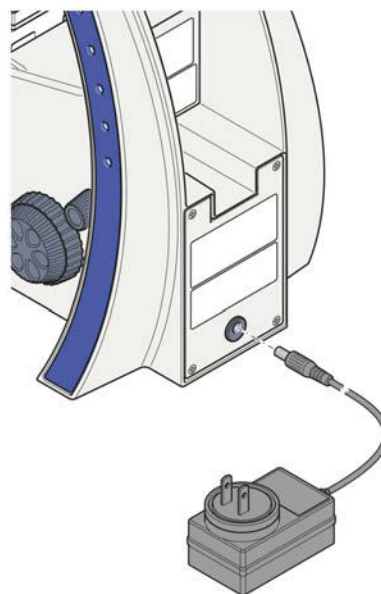
Função Ambas as oculares são adequadas para utilizadores com óculos. Incluem ainda um anel de focagem para compensar quaisquer problemas de visão. A escala de dioptrias incluída agiliza o processo de configuração.

4 Instalação

Execute apenas o trabalho de instalação descrito neste documento. Qualquer outro trabalho de instalação não descrito abaixo só poderá ser executado por um Representante de assistência técnica da ZEISS autorizado.

4.1 Ligar o microscópio à alimentação de rede elétrica

- Procedimento**
1. Remova a unidade de alimentação de entrada da sua instalação de armazenamento.
 2. Ligue a unidade de alimentação de entrada à tomada elétrica do microscópio.



3. Se necessário, substitua o adaptador da tomada elétrica instalado por um dos adaptadores fornecidos específicos do país.
4. Ligue a unidade de alimentação de entrada à alimentação de rede elétrica.

5 Primeiros passos para a operação

Este capítulo descreve como ligar/desligar e os primeiros passos para a operação com o Microscópio.

Em Formação

Informações adicionais e descrições detalhadas estarão disponíveis em outros documentos aplicáveis, ou solicite-as ao seu Parceiro de vendas e assistência técnica ZEISS.

Em Formação

Informações adicionais sobre o software e o seu funcionamento estão disponíveis na ajuda online do software.

5.1 Pré-requisitos para a colocação em funcionamento e para a operação

Os seguintes pré-requisitos básicos são necessários para a colocação em funcionamento e a operação:

- O Manual de instruções foi lido antes da colocação em funcionamento ou a operação e guardado para uso posterior.
- O capítulo **Segurança** foi lido e compreendido.
- O operador está familiarizado com os programas gerais baseados no Windows®.
- Se necessário: formação básica e instruções de segurança concluídas com sucesso.

5.2 Ativar o microscópio

Pré-requisito ✓ *O microscópio está ligado à eletricidade [▶ 200].*

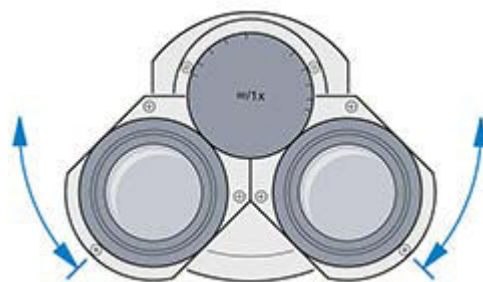
- Procedimento**
1. Ligue o botão de intensidade da luz.
 2. Ajuste a iluminação para a intensidade desejada.
→ A intensidade selecionada é indicada pelos díodos emissores de luz no suporte.

5.3 Ajustar a posição das oculares

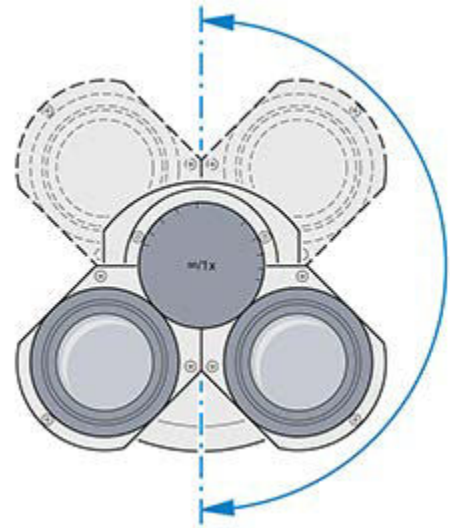
Em Formação

O ajuste da distância interpupilar está correto quando visualizar apenas uma imagem redonda ao olhar através das duas oculares.

- Procedimento**
1. Ajuste a distância interpupilar rodando os tubos oculares simetricamente, aproximando-os ou afastando-os.

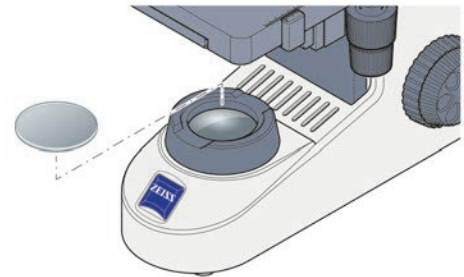


2. Ajuste a altura de visualização rodando as oculares no sentido ascendente ou descendente a 180°.



5.4 Instalar o filtro azul

- Procedimento** 1. Coloque o filtro azul no diafragma de campo luminoso.



Proceder na ordem inversa para remoção.

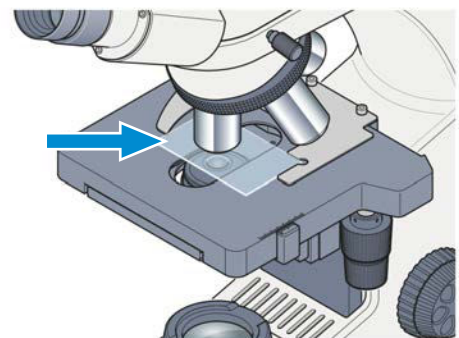
5.5 Aquisição de uma imagem

Em Formação

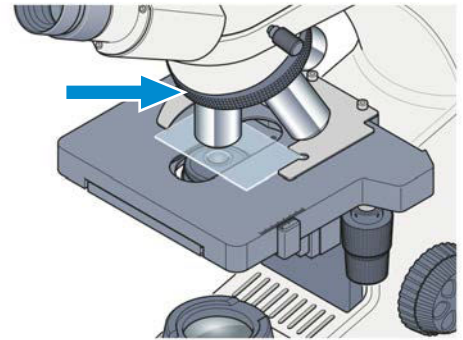
O microscópio é fornecido com as configurações do fabricante

Pré-requisito ✓ *A posição das oculares está definida [► 201].*

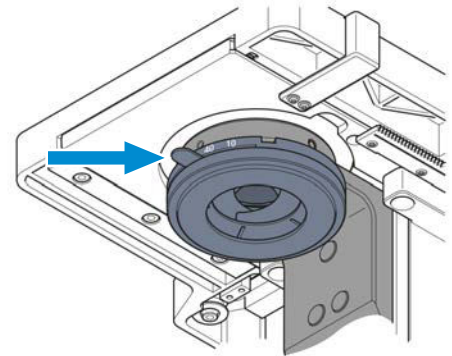
- Procedimento** 1. Posicionar a amostra no suporte de amostra da platina mecânica.



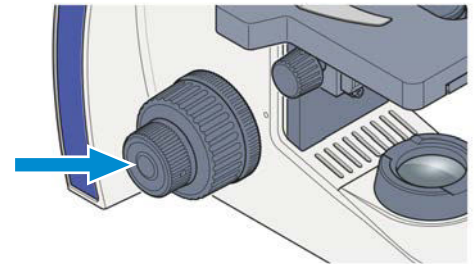
2. Selecionar a ampliação desejada colocando a respectiva objetiva no caminho óptico.



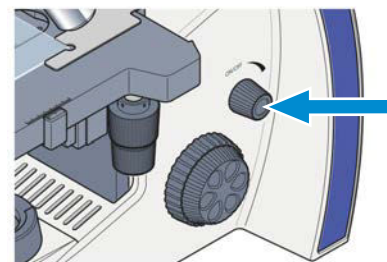
3. Ajustar a alavanca de controlo do diafragma de abertura do condensador para o valor da ampliação selecionada (**10x**, **40x** ou **100x**).



4. Focar na amostra usando o mecanismo de focagem.



5. Usar o botão giratório da intensidade de iluminaçãõ para ajustar a iluminaçãõ para uma configuraçãõ confortável.



5.6 Mudar as objetivas

AVISO

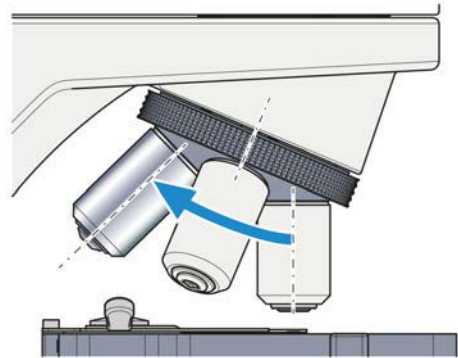
Componentes sensíveis ao pó

Se as aberturas do revólver não utilizadas permanecerem descobertas, podem entrar partículas no Microscópio e danificar a sua ótica e mecanismos permanentemente.

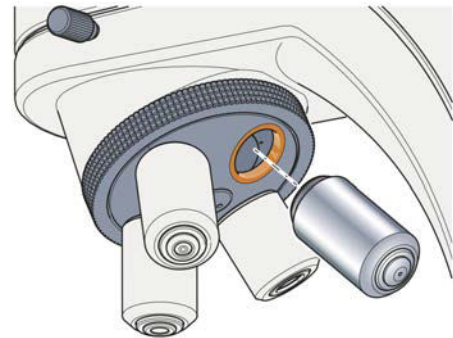
- ▶ Proteja sempre as aberturas do revólver não utilizado com tampas de cobertura!

As objetivas devem ser instaladas de acordo com a direção apresentada na figura por ordem de ampliação crescente.

- Procedimento**
1. Utilize o acionamento do foco para baixar totalmente a platina mecânica ou o suporte da platina.
 2. Remova a tampa de cobertura ou desaparafuse a objetiva da abertura relevante do revólver.



3. Retire a objetiva do seu invólucro.
4. Aparafuse cuidadosamente a objetiva na abertura. Certifique-se de que fica corretamente encaixada na rosca do revólver.



5.7 Desligar o microscópio

- Procedimento**
1. Ligue o botão de intensidade da luz.
 - Os díodos emissores de luz apagam-se.
 2. Cubra o microscópio com a capa protetora contra poeira.

6 Cuidados e trabalhos de limpeza

Para garantir o desempenho ideal do Microscópio, devem ser realizados trabalhos de manutenção em intervalos regulares. Para preservar a segurança de funcionamento e a fiabilidade do Microscópio, recomendamos que celebre preventivamente um **Acordo de manutenção ZEISS Protect**. Guarde os protocolos de serviço do seu Microscópio.

PERIGO

Choque elétrico devido peças condutoras de corrente elétrica

Quando o Microscópio ainda está ativado, o contacto com peças condutoras de corrente elétrica pode causar choques elétricos ou queimaduras.

- ▶ Desative o Microscópio antes da abertura e limpeza.
- ▶ Desligue as peças condutoras de corrente da fonte de alimentação.

AVISO

Falha de funcionamento devido a sujidade e humidade

A sujidade, o pó e a humidade podem comprometer o funcionamento do Microscópio e podem causar um curto-circuito.





- ▶ Utilize a cobertura de proteção contra o pó em caso de não utilização do Microscópio.
- ▶ As fendas de ventilação devem estar sempre desimpedidas.
- ▶ Conservação e limpeza periódicas de acordo com as instruções neste documento e conforme as instruções nos documentos aplicáveis.
- ▶ Certifique-se de que não entra líquido de limpeza ou humidade para dentro do Microscópio.
- ▶ Em caso de danos, as peças afetadas e todo o Microscópio devem ser colocados fora de funcionamento.

6.1 Limpar uma superfície ótica

AVISO

Danos nas lentes devido a uma limpeza inadequada

- ▶ Remova o pó das lentes lenta e cuidadosamente.
- ▶ Remova o pó nas superfícies óticas com uma escova de pelo natural ou sobre-o com um fole de borracha.

- Peças e Ferramentas**
-  Pano limpo
 -  Cotonete
 -  Solução de limpeza ótica (85% de n-hexano e 15% vol. de álcool isopropílico (IPA))
 -  Pano que não largue pelo
- Procedimento**
1. Humedeça uma cotonete ou um pano limpo com uma solução de limpeza ótica, se necessário.

2. Limpe a superfície ótica com movimentos circulares, desde o centro até ao rebordo da ótica, com uma ligeira pressão.



INCORRETO

CORRETO

3. Seque com um pano que não largue pelo.

6.2 Eliminar sujidade solúvel em água

- Peças e Ferramentas**
- 🔧 Pano limpo
 - 🔧 Pano que não largue pelo
- Procedimento**
1. Humedecer um pano limpo com água.
→ A água também pode ser misturada com um produto de limpeza suave (não utilizar solventes!).
 2. Limpar a área com o pano.
 3. Secar com um pano que não largue pelo.

7 Resolução de problemas

A tabela seguinte fornece informações sobre a resolução de problemas comuns.

Em Formação

Se não conseguir resolver o problema ou se tiver dúvidas em relação a uma determinada dificuldade técnica, contacte o representante de assistência técnica da ZEISS local.

| Sintoma | Causa | Medida |
|-------------------------------------------------------------------|------------------------------------------------------------------------------------------------|-----------------------------------------------------------------------------------------------------------------------------------------------------------|
| O campo de visão não está totalmente visível | O revólver com a objetiva não encaixou completamente na posição. | Encaixe o revólver com a objetiva na posição. |
| | O filtro não foi colocado corretamente no diafragma de campo luminoso. | <i>Coloque o filtro corretamente [▶ 202].</i> |
| Baixa resolução e imagem de fraco contraste | A abertura de diafragma não está ajustada corretamente. | Ajuste a abertura do diafragma de acordo com a regra de 2/3 ou com as características da amostra. |
| | O condensador não está focado corretamente. | Foque o condensador. |
| | Foi utilizada uma espessura do vidro de cobertura incorreta para objetivas de luz transmitida. | Utilize um vidro de cobertura padrão com uma espessura de 0,17 mm se as objetivas estiverem corrigidas para a espessura do vidro de cobertura de 0,17 mm. |
| | As objetivas de imersão são utilizadas sem ou com um óleo de imersão inadequado. | Utilize o óleo de imersão 518 N ou 518 F da ZEISS. |
| | O óleo de imersão contém bolhas de ar. | Repita o procedimento de lubrificação com um óleo novo. |
| | A lente dianteira de uma objetiva seca está manchada com óleo de imersão. | Limpe a lente dianteira da objetiva seca. |
| | Sujidade ou pó nas superfícies óticas das objetivas, oculares, condensadores ou filtros. | Limpe os componentes óticos correspondentes. |
| Diferença significativa da posição do foco após mudar a objetiva. | As oculares de focagem não foram ajustadas corretamente. | Ajuste as oculares de focagem em função dos problemas de visão. |
| O LED não acende quando se liga o botão de intensidade da luz. | A ficha de alimentação não está ligada à tomada elétrica. | <i>Ligue a ficha de alimentação à tomada elétrica [▶ 200].</i> |

| Sintoma | Causa | Medida |
|---------------------------------------------|------------------------------------------------------------------------------|-----------------------------------------------------------|
| A platina desce sozinha, o foco é instável. | O binário ajustado do acionamento de focagem macrométrica é demasiado fraco. | Contacte o representante de assistência técnica da ZEISS. |

8 Colocação fora de funcionamento e eliminação

Este capítulo contém indicações sobre a colocação fora de funcionamento e a eliminação do Microscópio e das suas extensões/componentes ou acessórios.

8.1 Colocação fora de funcionamento

Se o Microscópio não for utilizado durante um período de tempo prolongado, por ex. vários meses, deve ser completamente desligado e protegido contra o acesso por pessoas não autorizadas. A colocação fora de funcionamento completa do Microscópio deve ser realizada pelo Representante de assistência técnica da ZEISS.

PERIGO

Choque elétrico devido peças condutoras de corrente elétrica

Quando o Microscópio ainda está ativado, o contacto com peças condutoras de corrente elétrica pode causar choques elétricos ou queimaduras.

- ▶ Desative o Microscópio antes da abertura e limpeza.
- ▶ Desligue as peças condutoras de corrente da fonte de alimentação.

- Procedimento**
1. Desligue o Microscópio.
 2. Retire a ficha elétrica da tomada.

8.2 Descontaminação

Antes de devolver objetos previamente utilizados a uma unidade da ZEISS, é necessário apresentar uma declaração de descontaminação.

Se não for possível garantir uma descontaminação fiável, o perigo tem de ser assinalado de acordo com as disposições legais. De uma forma geral, deve estar afixada uma etiqueta de aviso bem visível no artigo e no lado exterior da embalagem, juntamente com a indicação exata do tipo de contaminação.

8.3 Transporte e armazenamento

É necessário respeitar os seguintes regulamentos antes e durante o transporte:

- As caixas devem estar presas durante o transporte.
- Evite balançar as caixas para frente e para trás.
- Tenha em atenção a informação do peso indicada na embalagem e no documento de expedição.
- Sempre que possível, a embalagem original deve ser utilizada para envio ou transporte.
- Não deixe cair nem permita colisões nas caixas durante o movimento ou armazenamento. Qualquer aceleração deverá ser < 10 g.
- Avalie os sensores de choque e de inclinação da embalagem na entrega e após transporte interno.

Resistência máxima ao choque

Temperatura admissível

Temperatura admissível durante o armazenamento no local:

- Entre -10 °C e +40 °C
- Humidade relativa inferior a 80 % a +40 °C

Temperatura admissível durante o transporte na embalagem:

- Entre -40 °C e +70 °C

Em Formação

24 horas antes da instalação do Microscópio, é necessário que as caixas se encontrem à temperatura ambiente recomendada a fim de evitar o ingresso de humidade, o qual é muito prejudicial para os percursos óticos, e para assegurar a estabilidade efetiva do Microscópio durante a instalação e teste.

8.4 Eliminação

O Microscópio e os seus componentes não devem ser eliminados como lixo doméstico ou através das empresas de recolha de resíduos municipais. Os mesmos devem ser eliminados de acordo com as disposições legais (Diretiva REEE 2012/19/UE). A ZEISS implementou um sistema para a devolução e reciclagem de dispositivos nos estados membros da União Europeia que garante a reutilização apropriada em conformidade com as Diretivas UE mencionadas. A descontaminação é da responsabilidade do cliente.

Em Formação

Para mais informações sobre a eliminação e a reciclagem, entre em contacto com o seu Parceiro de vendas e assistência técnica ZEISS.

9 Dados técnicos e conformidade

Este capítulo contém os dados técnicos mais importantes, bem como os dados relativos à conformidade.

9.1 Normas e regulamentos aplicáveis

Respeite todos os regulamentos de segurança gerais e específicos do país, bem como as leis e regulamentos de proteção ambiental aplicáveis.

O Microscópio cumpre os requisitos das seguintes normas e diretivas:

| | |
|-----------------------------------------|--------------------------------------------------------------------------------------------------------------------------------------------------------------------------------------------|
| 2011/65/UE 2015/836/UE | Diretiva RoHS |
| 98/79/CE | Diretiva IVD |
| EN 55011 | Emissão de ruídos de acordo com CISPR 11 Grupo 1 Classe B Uso recomendado em ambiente industrial |
| EN 61010-1 e IEC 61010-2-101 | Requisitos de segurança para equipamentos elétricos de medição, controlo e uso em laboratório |
| DIN EN 61326-1 DIN EN 61326-2-6:2013 | Equipamento elétrico para medição, controlo e uso em laboratório – requisitos CEM / requisitos IVD |
| EN 62471 | Segurança fotobiológica de lâmpadas e sistemas de lâmpadas Conformidade com os valores-limite de acordo com a EN 62471 Grupo de risco 1 (grupo isento de risco ao observar pela ocular) |

O Microscópio e respetivos acessórios foram classificados como instrumentos de categoria 9 (equipamento de laboratório ou norma comparável). Conforme aplicável, cumpre igualmente as Diretivas da UE 2011/65/EU (RoHS) e 2012/19/UE (REEE).

Diretivas / Normas Europeias e Internacionais: Para mais informações sobre os certificados ISO e CSA ou Declarações de conformidade CE, contacte o seu Parceiro de vendas e assistência técnica da ZEISS.

A ZEISS opera de acordo com um Sistema de Gestão Ambiental certificado de acordo com ISO 14001. O Microscópio foi desenvolvido, testado e produzido de acordo com os regulamentos e diretrizes válidos da legislação ambiental da União Europeia.

9.2 Dados de potência/especificação

O Microscópio só pode ser operado numa sala fechada. Recomenda-se que o Microscópio seja instalado numa sala escurecida, na qual a iluminação ambiente, a luz solar e outras formas de iluminação não possam prejudicar a captura de imagens. O Microscópio não deve ser instalado junto de janelas com radiação solar direta ou com aquecimento por radiadores. É da exclusiva responsabilidade do cliente garantir que estão cumpridas as condições de instalação para o Microscópio e que os recursos necessários já estão disponíveis aquando da instalação. Reservado o direito a modificações, com base nos desenvolvimentos técnicos constantes.

O Microscópio deve estar ligado a uma tomada instalada corretamente, com ligação terra, através da utilização dos cabos elétricos fornecidos. A ligação terra não deve ser prejudicada pela utilização de cabos de extensão.

Em Formação

As condições de instalação detalhadas podem ser consultadas junto do seu Parceiro de vendas e assistência técnica ZEISS.

| Peso e tamanhos | Componentes principais | | | | |
|------------------------------------------|------------------------------------|---------------------|-------------------------------------------------|------------------|-----|
| | Comprimento (mm) | Largura (cm) | Altura (cm) | Peso (kg) | |
| | Suporte com tubo binocular | 410 | 190 | 395 | 7,7 |
| Ar condicionado e qualidade | Gama de temperaturas para operação | | 5 a 40 °C | | |
| | Humidade relativa | | < 80% a 35 °C | | |
| | Pressão atmosférica / altitude | | 800 a 1060 hPa / ≤ 2000 m acima do nível do mar | | |
| | Grau de poluição | | 2 | | |
| Unidade de alimentação de entrada | Tensão CA nominal | | L/N 100 até 240 V ± 10% | | |
| | Frequência nominal | | 50/60 Hz | | |
| | Ficha de alimentação elétrica | | Será fornecida uma ficha elétrica local. | | |
| | Consumo de energia | | máx. 0,8 A | | |
| | Saída | | 12 V DC, máx. 2,5 A | | |
| Ligação à rede | Potência consumida do suporte | | 12 V DC, 2,5 A | | |
| | Classe de proteção | | IP20 (IEC 60529) | | |
| | Classe IEC de ligação terra | | Classe III de IEC 61140 | | |
| | Categoria de sobretensão | | II | | |

9.3 Dados e especificações de desempenho dos componentes opcionais

O cliente é responsável por garantir que as condições de instalação do microscópio são respeitadas e que o equipamento necessário já se encontra disponível no momento da instalação. Reservado o direito a modificações devido aos desenvolvimentos técnicos constantes.

| | | |
|----------------------------------------|------------------------------------------------------|-------------------------------------------------|
| Iluminação LED | LED | luz branca |
| | Pico do comprimento de onda | 440 nm |
| | Classe LED | 1 |
| | Temperatura da cor constante, independente do brilho | 3200 K |
| | Iluminação uniforme do campo | 20 mm (diâmetro) |
| | Adequado para objetivas com ampliações de | 4x a 100x |
| | Ajuste do brilho a partir de | aprox. 15 a 100% |
| Estativa com platina de focagem | Botão de focagem aproximada | 42 mm / rev. |
| | Botão de focagem precisa | 0,2 mm / rev. |
| | Elevação total da platina | 15 mm |
| Revólver | Mudança da objetiva | manual através do revólver com quatro objetivas |
| | Objetivas | gama de objetivas com correção infinita |
| | Rosca de montagem | W 0.8 |
| Oculares | Dimensão do tubo | 30 mm |
| | Referência do campo de visão | 20 |
| | Ampliação | 10x |
| | Adequado para utilizadores com óculos | Br. |
| | Com focagem | Foc. |
| Platina da amostra | Tipo | Sem apoio |
| | Dimensões (largura x profundidade) | 140 x 140 mm |
| | Deslocamento da platina (X x Y) | 75 x 40 mm |
| | Acionamento coaxial | opcional, para o lado direito ou esquerdo |
| | Escalas Vernier | leitura a partir do lado direito |
| | Porta-amostras | com alavanca de mola, do lado esquerdo |

| | | |
|----------------------------------|------------------------------------------------|--------------------------|
| Condensador | Condensador Abbe 0.9; Fixed-Köhler | para V_{obj} 4x a 100x |
| Espelho luminoso | Superfície plana e superfície esférica, com f' | 75 mm |
| Tubo binocular 30°/20 | Referência máxima do campo de visão | 20 |
| | Distância interpupilar | ajustável de 50 a 75 mm |
| | Ângulo do tubo | 30° |
| | Altura de visualização | 380 até 415 mm |
| | Porta de visualização, fator do tubo | 1x |

10 Acessórios e Expansões Opcionais do Sistema

Com o Microscópio só podem ser utilizados os seguintes acessórios, cuja utilização em condições de segurança tenha sido comprovada pela ZEISS. Só podem ser utilizadas peças originais da ZEISS. Certifique-se previamente que o seu Microscópio pode ser equipado com uma ampliação do sistema.

Após a instalação ou conversão deve ser verificado de forma rigorosa se o Microscópio e respetivas ampliações/componentes do sistema se encontram num estado de funcionamento seguro e que as portas não ocupadas no suporte estão fechadas. Os detalhes e as medidas de segurança podem ser consultados nos documentos associados.

Em Formação

Informações adicionais e descrições detalhadas estarão disponíveis em outros documentos aplicáveis, ou solicite-as ao seu Parceiro de vendas e assistência técnica ZEISS.

| Nome | Descrição/Informação |
|-----------|---------------------------------------------------------------------------------------------------------------------------------------------------------------------------------------------------------------------------------------------------------------------------------------------------------------------------------------------------------------------------------------------------------------------------------------------------------------------------------------------------------------------------------------------------------------------------------------------------------------|
| Objetivas | <p>O desempenho das objetivas do microscópio afeta a qualidade da imagem do seu microscópio como nenhum outro componente do sistema. Seja no trabalho com amostras histológicas, amostras de células ou organismos inteiros – a adequação das objetivas do microscópio para a sua aplicação depende de vários fatores.</p> <p>Para informações mais detalhadas sobre as objetivas disponíveis e recomendadas, consulte https://www.micro-shop.zeiss.com/de/de/shop/objectives ou consulte o seu Parceiro de vendas e serviços ZEISS.</p> |
| Espelho | Quando não está disponível nenhuma tomada elétrica, o espelho serve para iluminar a amostra. |

10.1 Instalar o espelho

Função O espelho é utilizado para iluminar a amostra, caso não esteja disponível uma tomada elétrica.

Procedimento 1. Coloque o espelho no suporte do diafragma de campo luminoso.



2. Rode e incline o espelho até que a luz ambiente seja refletida de forma uniforme na trajetória de luz.

Proceder na ordem inversa para remoção.

Glossário

AN

Abertura numérica

Parceiro de vendas e assistência técnica ZEISS

O parceiro de vendas e assistência técnica está normalmente em campo para o apoio ao cliente numa área regional e/ou para um grupo de clientes claramente definido.

Representante de assistência técnica da ZEISS

Especialista em assistência técnica com formação especializada, quer se trate de um funcionário da ZEISS ou de um parceiro de assistência técnica autorizado da ZEISS.

Utilizador

Pessoa que examina uma amostra sob o microscópio.

ZEISS

A ZEISS é uma empresa tecnológica internacional, líder dos mercados de ótica e optoeletrónica. Pode encontrar mais informações sobre a ZEISS no endereço www.zeiss.com.

Índice

A

| | |
|---------------------------------|----------|
| Abertura numérica | 198 |
| Acessórios | 215 |
| Altura de visualização | 202 |
| Ampliações opcionais do sistema | 215 |
| Instalação | 215 |
| Ar condicionado e qualidade | 212 |
| Aviso | |
| etiquetas | 193, 194 |
| luzes | 193 |

C

| | |
|--------------------------------|-----|
| Campo claro | 202 |
| Campo claro de luz transmitida | 202 |
| Condição de operação segura | 192 |
| Contaminação | 209 |
| Controlos | 196 |

D

| | |
|------------------------|-----|
| Dados de desempenho | 211 |
| Descontaminação | 209 |
| Desligar | 204 |
| Distância interpupilar | 201 |

E

| | |
|-------------------------|-----|
| Eliminação | 210 |
| Encerramento | 209 |
| Espelho | 215 |
| Etiquetas de aviso | 194 |
| Etiquetas de informação | 194 |

F

| | |
|------------------------|-----|
| Fator zoom da objetiva | 198 |
| Filtro | 202 |
| Formação | 192 |

I

| | |
|-------------------------------|-----|
| Imagem | 202 |
| Informação geral de segurança | 191 |
| Instalar | |
| Espelho | 215 |
| Filtro | 202 |
| Objetiva | 204 |

L

| | |
|---------------------|-----|
| Ligação à rede | 212 |
| Ligar | 201 |
| Ligar o microscópio | 200 |

Limpar

| | |
|--------------------------|-----|
| Sujidade solúvel em água | 206 |
|--------------------------|-----|

M

| | |
|------------|-----|
| Manutenção | 205 |
|------------|-----|

O

| | |
|----------------|----------|
| Objetiva | 198, 204 |
| Ocular | 199 |
| Operação | |
| Pré-requisitos | 201 |

P

| | |
|-----------------|-----|
| Peso e tamanhos | 212 |
| Pré-requisitos | |
| Operação | 201 |

R

| | |
|-----------------------------|-----|
| Requisitos | |
| para Entidades exploradoras | 191 |
| Resolução de problemas | 207 |
| Riscos | 192 |
| Prevenção | 192 |

S

| | |
|-----------|-----|
| Segurança | 191 |
|-----------|-----|

U

| | |
|---------------------|-----|
| Utilização prevista | 191 |
|---------------------|-----|

Z

| | |
|--------------------|-----|
| ZEISS | |
| Acordos de serviço | 205 |
| Portal | 190 |

Оглавление

| | | |
|----------|------------------------------------------------------|------------|
| 1 | Общая информация | 220 |
| 1.1 | Условные текстовые обозначения и типы ссылок | 220 |
| 1.2 | Другие используемые документы | 220 |
| 1.3 | Пояснения предупреждений и дополнительной информации | 221 |
| 1.4 | Контакт | 222 |
| 2 | Безопасность | 223 |
| 2.1 | Использование по назначению | 223 |
| 2.2 | Общая информация по технике безопасности | 223 |
| 2.2.1 | Требования к операторам | 224 |
| 2.2.2 | Условие безопасной эксплуатации | 224 |
| 2.3 | Предотвращение опасностей | 224 |
| 2.3.1 | Механические опасности | 224 |
| 2.3.2 | Опасность поражения электрическим током | 224 |
| 2.3.3 | Опасности, связанные с условиями эксплуатации | 225 |
| 2.3.4 | Эргономические риски | 225 |
| 2.3.5 | Опасности, связанные с материалами и веществами | 225 |
| 2.4 | Предупреждающие наклейки и свет | 226 |
| 2.4.1 | Значение предупреждающих и информационных наклеек | 226 |
| 2.4.2 | Предупреждающие и информационные наклейки на штативе | 227 |
| 3 | Описание изделия и функций | 228 |
| 3.1 | Основные компоненты Primostar 1 | 228 |
| 3.2 | Элементы управления и индикаторы на штативе | 229 |
| 3.3 | Объективы | 231 |
| 3.4 | Окуляр | 232 |
| 4 | Установка | 233 |
| 4.1 | Подключение микроскопа к электросети | 233 |
| 5 | Первые рабочие шаги | 234 |
| 5.1 | Требования к вводу в эксплуатацию и работе | 234 |
| 5.2 | Включение микроскопа | 234 |
| 5.3 | Регулировка положения окуляров | 234 |
| 5.4 | Установка синего фильтра | 235 |
| 5.5 | Получение изображения | 235 |
| 5.6 | Замена объективов | 236 |
| 5.7 | Выключение микроскопа | 237 |
| 6 | Уход и очистка | 238 |
| 6.1 | Очистка оптической поверхности | 238 |
| 6.2 | Устранение водорастворимого загрязнения | 239 |
| 7 | Поиск и устранение неисправностей | 240 |

| | | |
|-----------|---------------------------------------------------------------------|------------|
| 8 | Вывод из эксплуатации и утилизация | 242 |
| 8.1 | Вывод из эксплуатации | 242 |
| 8.2 | Очистка от загрязнений | 242 |
| 8.3 | Транспортировка и хранение | 242 |
| 8.4 | Утилизация | 243 |
| 9 | Технические данные и соответствие стандартам | 244 |
| 9.1 | Действующие стандарты и предписания | 244 |
| 9.2 | Рабочие и технические характеристики | 245 |
| 9.3 | Рабочие и технические характеристики опциональных компонентов | 246 |
| 10 | Аксессуары и дополнительные расширения системы | 248 |
| 10.1 | Установка зеркала | 248 |
| | Словарь терминов | 249 |
| | Алфавитный указатель | 250 |

1 Общая информация

Данное руководство по эксплуатации является частью Primostar 1. Далее в этом документе он называется Микроскоп.

В данном Руководство по эксплуатации приведены основные рабочие операции и указания по технике безопасности, которые следует соблюдать во время эксплуатации и технического обслуживания. Поэтому перед вводом в эксплуатацию оператор должен прочитать Руководство по эксплуатации, которое должно быть всегда доступно на месте эксплуатации Микроскоп. Данное Руководство по эксплуатации является важной частью Микроскоп и в случае перепродажи Микроскоп Руководство по эксплуатации должно оставаться с Микроскоп или быть передано новому владельцу.

1.1 Условные текстовые обозначения и типы ссылок

Используемые условные текстовые обозначения и типы ссылок:

| Условное текстовое обозначение | Значение |
|--------------------------------------------------------------------------------------------------------|-------------------------------------------------------------------------------------------------------------------------------------------------------------------------------------|
| Щелкните по Start . Нажмите кнопку STANDBY . Нажмите [Enter] на клавиатуре. | Названия элементов управления и важная информация выделены жирным шрифтом. |
| Нажмите <Ctrl+Alt+Del> | Нажмите одновременно несколько клавиш на клавиатуре. |
| Выберите Tools > Goto Control Panel > Airlock . | Пройдите по ссылке в программном обеспечении. |
| <i>Ввод текста</i> | Текст, который должен быть введен пользователем |
| Программирование и макросы | Любой текст, введенный буквами в процессе программирования, включая, например, макрокоды, ключевые слова, типы данных, имена методов, переменные, имена классов, имена интерфейсов. |

Tab. 1: Условное текстовое обозначение

| Тип ссылки | Значение |
|-----------------------------------------------------------------------------------------------------------|---------------------------------------------------|
| См.: Условные текстовые обозначения и типы ссылок [▶ 220]. | Ссылка на дополнительную информацию по этой теме. |
| https://www.zeiss.com/corporate/int/home.html | Ссылка на сайт в интернете. |

Tab. 2: Типы ссылок

1.2 Другие используемые документы

Также обратите внимание на следующие документы:

Брошюры и сертификаты Для получения брошюр, сертификатов ISO и CSA, а также деклараций о соответствии требованиям ЕС просьба обращаться к вашему партнеру по сбыту и сервисному обслуживанию компании ZEISS.

| | |
|------------------------------------------------------------------------------------------|------------------------------------------------------------------------------------------------------------------------------------------------------------------------------------------------------------------------------------------------------------------------------------------------------------------------------------------|
| Региональные и национальные предписания по защите здоровья и технике безопасности | Региональные и национальные предписания по защите здоровья и технике безопасности должны соблюдаться на месте эксплуатации, а также при использовании Микроскоп. Просьба проконсультироваться с вашим партнером по сбыту и сервисному обслуживанию компании ZEISS при несоответствии данных предписаний требованиям установки Микроскоп. |
| Листы безопасности | Соблюдайте указания в прилагаемых листах безопасности. Необходимо соблюдать инструкции и указания, содержащиеся в соответствующих листах безопасности. |
| Компоненты системы и сторонних производителей, аксессуары | Существуют разные способы настройки Микроскоп. Информацию об отдельных компонентах, дополнительных возможностях и аксессуарах вы можете получить у вашего партнера по сбыту и сервисному обслуживанию компании ZEISS. См. также документацию сторонних производителей, предоставленную производителем. |

1.3 Пояснения предупреждений и дополнительной информации

ОПАСНО, ОСТОРОЖНО, ВНИМАНИЕ и УВЕДОМЛЕНИЕ являются стандартными сигнальными словами для определения уровня опасности и риска причинения вреда здоровью и материального ущерба. Следует соблюдать не только указания по безопасности и предупреждения в разделе **Безопасность**, но и все соответствующие указания в других разделах. Несоблюдение этих указаний и предупреждений может привести к травмам и материальному ущербу, а также повлечь за собой потерю всех прав на предъявление претензий по возмещению ущерба.

В данном документе используются следующие предупреждения, указывающие на опасные ситуации и риски.

ОПАСНОСТЬ

Тип и источник опасности

Знак ОПАСНО указывает на непосредственно опасную ситуацию, которая приведет к смерти или серьезным травмам, если ее не предотвратить.

ПРЕДУПРЕЖДЕНИЕ

Тип и источник опасности

Знак ОСТОРОЖНО указывает на потенциально опасную ситуацию, которая может привести к смерти или серьезным травмам, если ее не предотвратить.

ВНИМАНИЕ

Тип и источник опасности

Знак ВНИМАНИЕ указывает на потенциально опасную ситуацию, которая может привести к травмам легкой и средней степени тяжести, если ее не предотвратить.

УВЕДОМЛЕНИЕ

Тип и источник опасности

Знак УВЕДОМЛЕНИЕ указывает на потенциально опасную ситуацию, которая может привести к материальному ущербу, если ее не предотвратить.

Информация

Предоставляет дополнительную информацию или пояснения, чтобы помочь пользователям лучше понять содержание данного Руководства по эксплуатации.

1.4 Контакт

Если у вас возникли вопросы или проблемы, просьба связаться с вашим региональным партнером по сбыту и сервисному обслуживанию компании ZEISS или обратиться по одному из следующих адресов:

Центральные офисы

Телефон: +49 1803 33 63 34

Факс: +49 3641 64 3439

Эл. почта: info.microscopy.de@zeiss.com

Курсы и обучение

Эл. почта: courses.microscopy.de@zeiss.com

Портал ZEISS

Портал ZEISS (<https://portal.zeiss.com/>) предлагает различные услуги, упрощающие ежедневную работу с системами ZEISS (машинами и программным обеспечением). Он постоянно совершенствуется и расширяется, чтобы лучше соответствовать вашим запросам и требованиям.

Партнер по сбыту и сервисному обслуживанию компании ZEISS

Вы можете найти партнера по сбыту и сервисному обслуживанию компании ZEISS в своем регионе, перейдя по ссылке <https://www.zeiss.de/mikroskopie/website/forms/sales-and-service-contacts.html>.

Обслуживание в Германии

Телефон: +49 7364 20 3800

Факс: +49 7364 20 3226

Эл. почта: service.microscopy.de@zeiss.com

2 Безопасность

В этой главе изложены общие требования к безопасной организации работ. Все сотрудники, которые используют или уполномочены выполнять установку или техническое обслуживание Микроскоп, должны прочесть и соблюдать эти общие правила техники безопасности. Знание базовых правил и требований техники безопасности является непременным условием для безопасной и безотказной эксплуатации. Эксплуатационная безопасность поставленного Микроскоп обеспечивается только в том случае, если он эксплуатируется по назначению.

Если какая-либо работа связана с остаточными рисками, то на это указывается в соответствующих частях данного документа в специальном примечании. Компоненты, с которыми необходимо обращаться с особой осторожностью, помечены предупреждающей наклейкой. Необходимо всегда соблюдать эти предупреждения.

2.1 Использование по назначению

Primostar 1 является микроскопом, специально разработанным для обучения и рутинной лабораторной диагностики.

Типичными видами использования является:

- Обучение (преподавательская и учебная работа)
- Лабораторная деятельность
- Медицинская деятельность

Использование не по назначению может легко привести к ухудшению работы или даже повреждению Микроскоп. Повреждения, вызванные неправильной эксплуатацией, халатностью или несанкционированным вмешательством, в частности, в результате удаления, изменения или замены деталей Микроскоп, не покрываются гарантией производителя. Запрещается использовать устройства или компоненты сторонних производителей, не одобренные компанией ZEISS.

2.2 Общая информация по технике безопасности

Следует прочитать данное Руководство по эксплуатации перед вводом в эксплуатацию в целях обеспечения безопасной и бесперебойной эксплуатации. Обратит особое внимание на все перечисленные указания по технике безопасности. Просьба убедиться, что

- обслуживающий персонал прочел и понял данное Руководство по эксплуатации, сопутствующую документацию, в особенности все правила техники безопасности и инструкции, а также применяет их.
- соблюдаются региональные и национальные правила техники безопасности и правила по предотвращению несчастных случаев, а также соответствующие законы и предписания страны эксплуатации.
- данное Руководство по эксплуатации всегда находится рядом с Микроскоп.
- Микроскоп всегда находится в исправном состоянии.
- Микроскоп защищен от доступа посторонних лиц.
- техническое обслуживание и ремонтные работы, дооснащение, удаление или замена компонентов, а также любые другие вмешательства в Микроскоп, не описанные в данном Руководство по эксплуатации, могут выполняться только силами производителя ZEISS или лиц, уполномоченных компанией ZEISS.

2.2.1 Требования к операторам

Эксплуатация и техническое обслуживание Микроскоп, компонентов и аксессуаров должны осуществляться только силами уполномоченного и обученного персонала. Микроскоп может использоваться только в соответствии с данным Руководство по эксплуатации. Если Микроскоп используется не в соответствии с описанием, то это может нарушить безопасность пользователя и/или привести к повреждению Микроскоп. Любое несанкционированное вмешательство или использование не по назначению приведет к потере всех прав на предъявление требований по гарантии. Всегда соблюдать региональные предписания по защите здоровья и правила по предотвращению несчастных случаев во время выполнения любых работ на Микроскоп.

Обучение Уполномоченный персонал ZEISS проведет базовое обучение по эксплуатации Микроскоп. А также предоставит информацию по безопасности оборудования и по работам по техническому обслуживанию, которые могут выполняться оператором. Обучение документируется компанией ZEISS, а его завершение должно быть подтверждено оператором.

Обучение по специальному применению микроскопа предлагается за плату. Текущие даты обучения, дополнительная информация и регистрационная форма приведены на сайте <https://www.zeiss.com/microscopy/int/service-support/training-and-education.html>.

2.2.2 Условие безопасной эксплуатации

Если возникают обстоятельства, нарушающие безопасность и вызывающие изменения эксплуатационных характеристик, следует немедленно отключить Микроскоп и проинформировать представителя сервисной службы компании ZEISS. Микроскоп можно эксплуатировать только после правильной установки Представитель сервисной службы компании ZEISS и в соответствии с условиями эксплуатации. Микроскоп можно эксплуатировать только после правильной установки Представитель сервисной службы компании ZEISS, а также при соблюдении условий эксплуатации.

- Эксплуатировать Микроскоп только после того, как будет прочтена и понята вся документация, поставленная вместе с Микроскоп.
- Убедиться в том, что все защитные кожухи установлены, все предупреждающие наклейки имеются в наличии, а надписи на них хорошо читаются.
- Обеспечить условия и принять меры для предотвращения возникновения электростатического заряда на рабочем месте.

2.3 Предотвращение опасностей

Эта глава содержит информацию о потенциальных опасностях и рекомендации по мерам предосторожности. Несоблюдение правил техники безопасности и указаний может привести к причинению вреда здоровью и материальному ущербу.

2.3.1 Механические опасности

Материальный ущерб в результате транспортировки Существует опасность травмирования и материального ущерба при неправильном обращении с Микроскоп и его неправильной транспортировке.

- Для транспортировки Микроскоп использовать только ручку, если она имеется. В противном случае удерживать Микроскоп одной рукой, а основание – другой.

2.3.2 Опасность поражения электрическим током

Опасность от электрического напряжения Опасность поражения электрическим током при контакте с деталями, находящимися под напряжением.

Всегда использовать адаптер питания, входящий в объем поставки ZEISS. Если используется неподходящий адаптер питания, то компания ZEISS не может гарантировать электробезопасность и функциональность Микроскоп.

- Отключить Микроскоп.
- Перед очисткой отсоединить электропитание.
- Установить и эксплуатировать Микроскоп так, чтобы разъемы были легко доступны.

2.3.3 Опасности, связанные с условиями эксплуатации

Грязь, пыль и влага Грязь, пыль и влага негативно влияет на функциональность Микроскопа.

- Отключить Микроскоп, если он не используется, и закрыть его пылезащитным кожухом.
- Всегда закрывать неиспользуемые отверстия/порты.
- Регулярное техническое обслуживание и очистка согласно указаниям в данной документации.
- Позаботиться о том, чтобы не произошло проникновение очищающей жидкости или влаги в Микроскоп.
- Позаботиться о том, чтобы электрические компоненты ни в коем случае не контактировали с влагой.
- Ни в коем случае не подвергать Микроскоп воздействию недопустимых климатических условий (высокая влажность и температура).

2.3.4 Эргономические риски

Предотвращение заболеваний костно-мышечной системы Заболевания костно-мышечной системы поражают мышцы, нервы, кровеносные сосуды, связки и сухожилия. Работники различных отраслей и профессий подвергаются риску на работе, например, при поднятии тяжелых предметов, при наклонах, когда они тянутся к высоко расположенным предметам, когда толкают или тянут тяжелые грузы, работают в неудобных положениях и многократно выполняют одни и те же или похожие задания. Работодатели обязаны предоставить своим сотрудникам рабочие места, которые безопасны и не наносят вред здоровью.

2.3.5 Опасности, связанные с материалами и веществами

Опасность заражения Прямой контакт с окулярами может способствовать распространению бактериальных и вирусных инфекций.

- Риск можно снизить за счет использования индивидуальных окуляров или наглазников. Если требуется регулярная дезинфекция окуляров, компания ZEISS рекомендует использовать окуляры без наглазников.
- Во избежание инфекций настоятельно рекомендуется использовать средства индивидуальной защиты (СИЗ), например, перчатки для эксплуатации, очистки и дезинфекции. Одноразовые перчатки можно дезинфицировать, например, спиртом, если это необходимо, или их следует часто менять, чтобы свести к минимуму риск заражения.

Опасности, связанные с расходными материалами Неправильное обращение с расходными материалами и чистящими средствами может привести к материальному ущербу или повреждению кожи и глаз. Использование расходных материалов, не одобренных компанией ZEISS, может привести к материальному ущербу. Проконсультироваться с вашим партнером по сбыту и сервисному обслуживанию компании ZEISS относительно того, какие расходные материалы можно заказать, и как с ними обращаться.

Опасности, связанные с дезинфицирующими средствами Обеспечить достаточную вентиляцию закрытых помещений. В случае недостаточной вентиляции носить средства защиты органов дыхания. Удалить все вредные остатки. Дать устройству высохнуть после дезинфекции, особенно после дезинфекции окуляров. Не вдыхать пары. При использовании дезинфицирующих средств не есть, не пить и не курить. Избегать контакта с глазами и кожей. Снять загрязненную одежду и выстирать ее перед повторным использованием.

Раздражение глаз, кожи и дыхательного тракта Воздействие химикатов и их аэрозолей может вызвать раздражение глаз, кожи и дыхательного тракта. Использовать подходящие средства индивидуальной защиты (СИЗ).

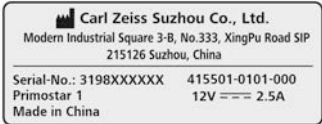



2.4 Предупреждающие наклейки и свет

Все детали Микроскоп, которые могут представлять особую опасность, дополнительно помечены предупреждающими наклейками (пиктограммами) на Микроскоп. Эти предупреждающие наклейки указывают на потенциальную опасность и являются частью данного Руководство по эксплуатации. Они должны быть чистыми, а надписи на них должны быть хорошо читаемыми.

Проверить все обязательные предупреждающие наклейки на предмет: наличия, читаемости, правильности. Предупреждающие наклейки с повреждениями или нечитабельными надписями должны быть немедленно заменены. Всегда принимать во внимание надписи на всех предупреждающих наклейках на всем Микроскоп.

2.4.1 Значение предупреждающих и информационных наклеек

Значение отдельных предупреждающих наклеек объясняется ниже:

| Поз. | Символ | Описание |
|------|----------------------------------------------------------------------------------------------------------------------------------------------------------------------------------------------------------------------------------------------------------------------------------------------------|---------------------------------------------------------------------------------------------------------------------------------|
| 1 |  <p>Carl Zeiss Suzhou Co., Ltd. Modern Industrial Square 3-B, No.333, XingPu Road SIP 215126 Suzhou, China Serial-No.: 3198XXXXXX 415501-0101-000 Primostar 1 12V --- 2.5A Made in China</p> | Типовая табличка микроскопа |
| 2 |  <p>CAUTION Hot surface below Operate microscope only on a stable, solid, smooth and not tinderlike surface.</p> | Горячая поверхность внизу Эксплуатировать микроскоп только на устойчивой, твердой, гладкой и невоспламеняющейся поверхности. |
| 3 |  <p>Carl Zeiss C₂₆₅₃₆₆ US 50 III IVD CE</p> | Типовая табличка микроскопа |
| 4 |  <p>Carl Zeiss Primostar 1 415501-0101-000 EC REP Carl Zeiss Microscopy GmbH Carl-Zeiss-Promenade 10 07745 Jena, Germany</p> | Primostar 1 Импортер в ЕС Carl Zeiss Microscopy GmbH Carl-Zeiss-Promenade 10 07745 Jena, Germany |

2.4.2 Предупреждающие и информационные наклейки на штативе

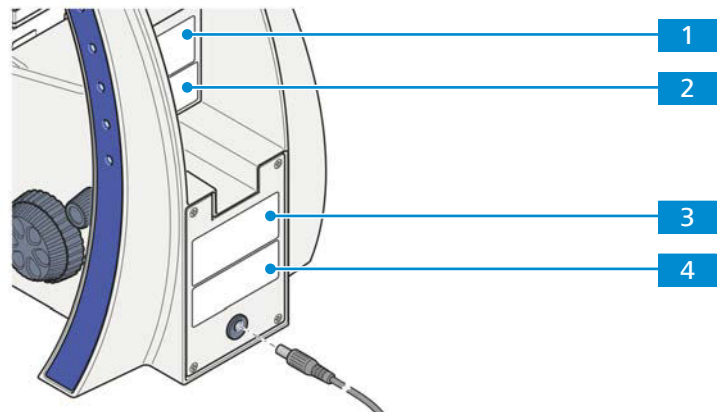


Fig. 1: Позиция предупреждающих и информационных наклеек

3 Описание изделия и функций

Primostar 1 – это микроскоп проходящего света с компактной конструкцией, занимающей мало места.

Primostar 1 – это микроскоп, специально разработанный для обучения и рутинной лабораторной диагностики. Он отличается продолжительным сроком службы при постоянном использовании.

3.1 Основные компоненты Primostar 1

Primostar 1 состоит из следующих основных компонентов

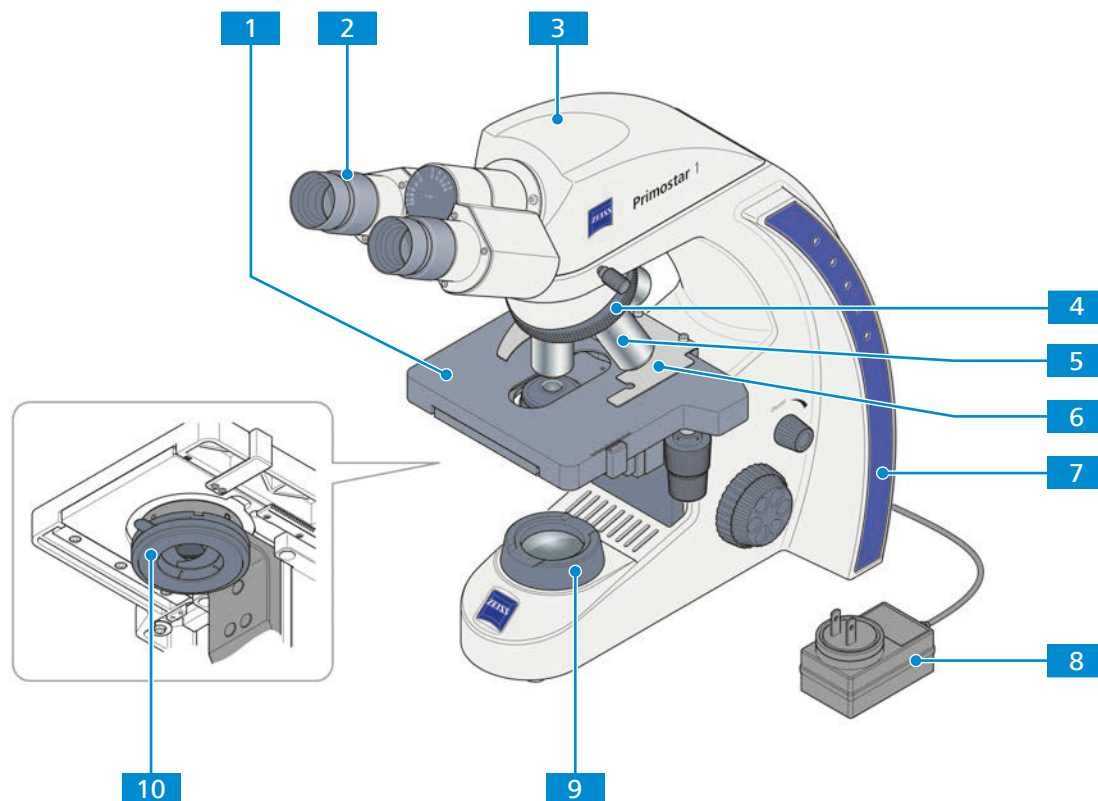


Fig. 2: Основные компоненты Primostar 1

- | | | | |
|----------|----------------------------------------|-----------|---------------------------------------------------|
| 1 | Предметный столик | 2 | Окуляр |
| 3 | Тубус | 4 | Револьверная головка |
| 5 | Объектив | 6 | Предметное стекло |
| 7 | Штатив | 8 | Блок электропитания |
| 9 | Устройство освещения проходящего света | 10 | Конденсор Аббе, фиксированное освещение по Келеру |

3.2 Элементы управления и индикаторы на штативе

Цель Управление основными функциями микроскопа осуществляется с помощью элементов управления на штативе.

Позиция Следующие элементы управления расположены на правой стороне штатива.

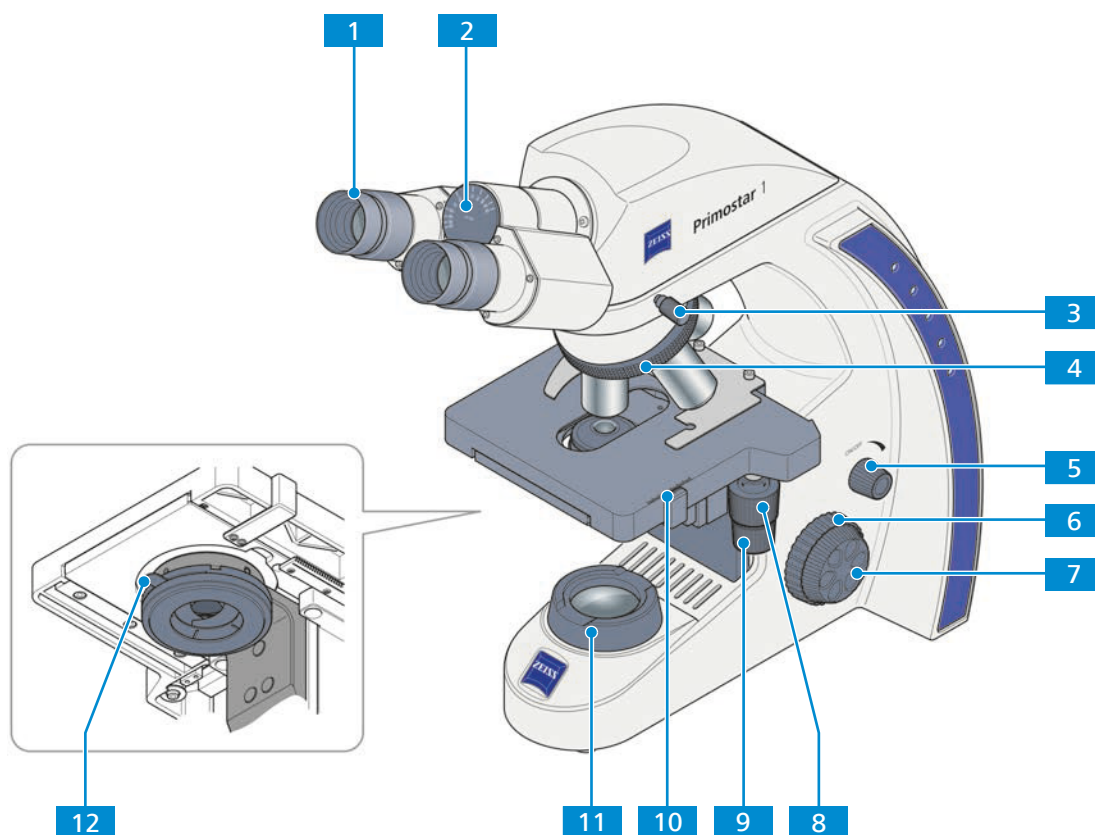


Fig. 3: Элементы управления на правой стороне штатива

- | | |
|----------------------------------------------------------------------------------------|----------------------------------------------------------------------------------------|
| 1 Окуляр, регулируемый | 2 Индикатор расстояния между зрачками |
| 3 Фиксирующий винт тубуса | 4 Кольцо с накаткой для поворота револьверной головки |
| 5 Ручка регулировки интенсивности освещения | 6 Ручка грубой фокусировки (справа) |
| 7 Ручка тонкой фокусировки (справа) | 8 Ручка управления для перемещения крестообразного предметного столика по оси Y |
| 9 Ручка управления для перемещения крестообразного предметного столика по оси X | 10 Нониус и шкала, отображающая положение предметного столика по оси Y |
| 11 Устройство освещения проходящего света | 12 Рычаг для регулировки апертурной диафрагмы конденсора |

Позиция Следующие элементы управления расположены на левой стороне штатива.

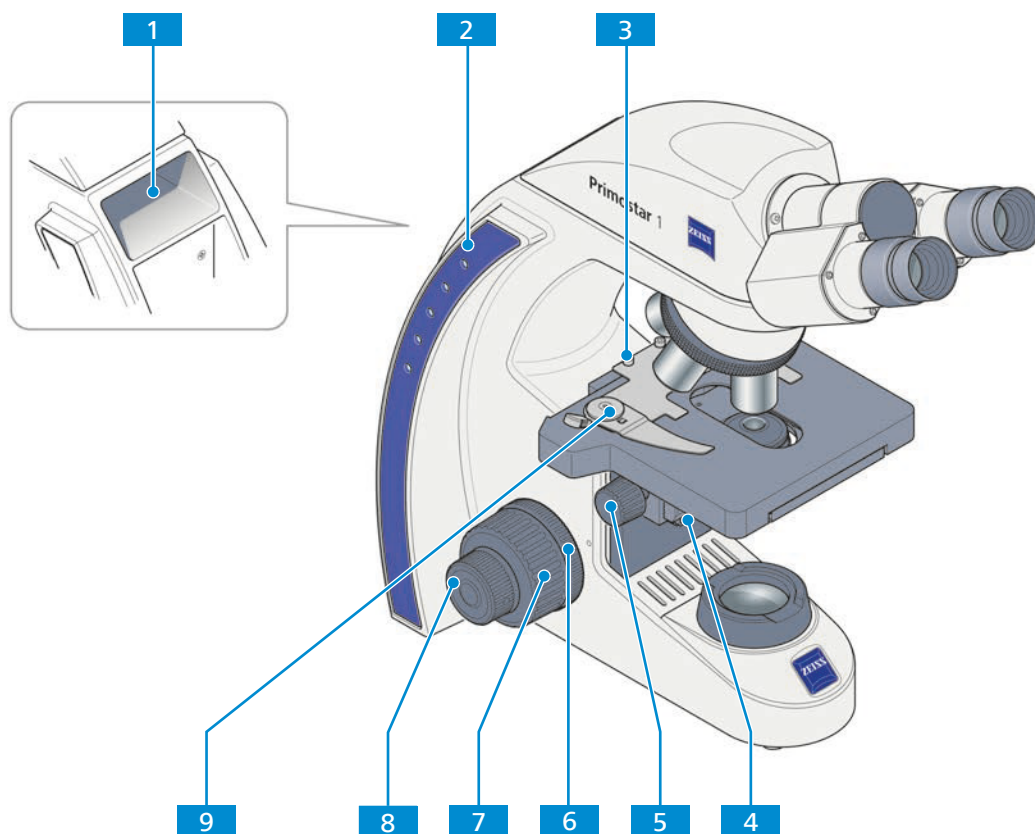
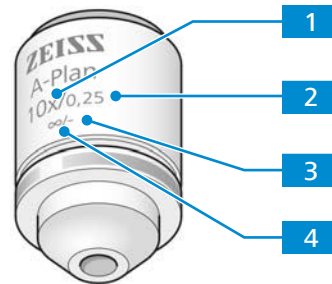


Fig. 4: Элементы управления на левой стороне штатива

- | | |
|-------------------------------------------------------------|------------------------------------------------------------------------------------|
| 1 Ручка для переноски | 2 Индикаторы интенсивности освещения проходящего света |
| 3 Зажимной винт для предметного стекла | 4 Фиксирующий винт для опускания конденсора |
| 5 Ручка с накаткой для регулировки высоты конденсора | 6 Кольцо с накаткой для регулировки плавности хода ручки грубой фокусировки |
| 7 Ручка грубой фокусировки (слева) | 8 Ручка тонкой фокусировки (слева) |
| 9 Рычаг предметного стекла для фиксации образца | |

3.3 Объективы

Функциональные характеристики объектива указаны с помощью соответствующей маркировки, например, **A-Plan 10x/0,25 ∞/-**.



1 Увеличение объектива

Коэффициент масштабирования определяет увеличение объектива. Многократное увеличение позволяет изучать мелкие элементы на образце.

Коэффициент увеличения объектива также показывается цветным кольцом объектива, см. цветовой код ZEISS.

Увеличение объектива, умноженное на увеличение окуляра, дает общее увеличение.

2 Числовая апертура (NA)

Числовая апертура, умноженная на 1000, показывает максимальное полезное увеличение – сверх этого предела никакого дополнительного разрешения не предусмотрено.

3 Возможная толщина покровного стекла

- : Объектив может использоваться без покровного стекла или с покровным стеклом толщиной 0,17 мм.

0: Объектив может использоваться без покровного стекла.

0,17: Объектив может использоваться с покровным стеклом толщиной 0,17 мм.

4 Механическая длина тубуса

Объектив можно использовать с тубусами любой длины.

Информация

Благодаря небольшому рабочему расстоянию, следующие объективы имеют упругое крепление (защита образцов):

- ▶ 40x
- ▶ 100x oil

3.4 Окуляр

Цель Окуляры предназначены для изучения изображения микроскопа.

Позиция Окуляры вставлены в тубус.

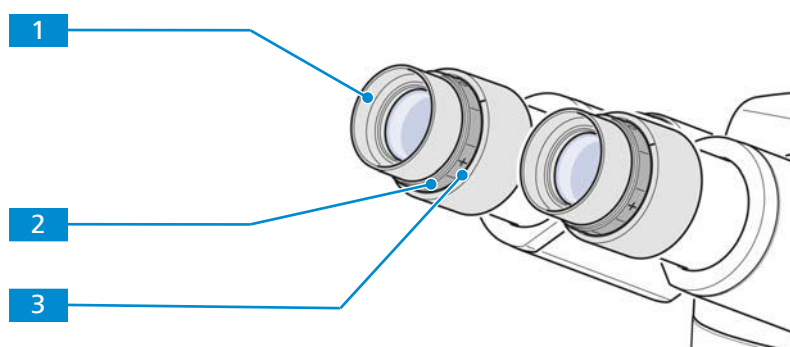


Fig. 5: Окуляр

1 Резиновый наглазник, отгибаемый вниз

2 Фокусирующее кольцо для компенсации нарушений зрения

3 Диоптрическая шкала, помогающая найти правильную настройку

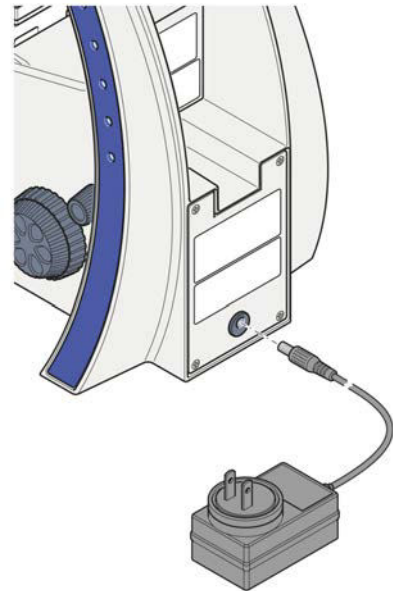
Функция Оба окуляра подходят для тех, кто носит очки. Кроме того, они оснащены фокусирующим кольцом для компенсации нарушений зрения. Диоптрическая шкала помогает найти правильную настройку.

4 Установка

Выполняйте только те работы по установке, которые описаны в данном документе. Все прочие работы по установке, не описанные ниже, могут выполняться только авторизованным представителем сервисной службы компании ZEISS.

4.1 Подключение микроскопа к электросети

- Процедура**
1. Вытащить сетевой блок питания из приспособления для хранения.
 2. Подключить сетевой блок питания к главной розетке микроскопа.



3. Если необходимо, заменить розетку питания на входящий в объем поставки адаптер, использующийся в стране эксплуатации.
4. Подключить сетевой блок питания к электросети.

5 Первые рабочие шаги

В этой главе описаны включение и выключение, а также первые шаги при работе с Микроскоп.

Информация

Дополнительную информацию и подробное описание можно найти в соответствующих документах или запросить у вашего партнера по сбыту и сервисному обслуживанию компании ZEISS.

Информация

Дополнительная информация по программному обеспечению и его использованию содержится в онлайн-справке программного обеспечения.

5.1 Требования к вводу в эксплуатацию и работе

Для ввода в эксплуатацию и работы необходимы следующие основные предпосылки:

- Руководство по эксплуатации было прочитано перед вводом в эксплуатацию или эксплуатацией и сохранено для дальнейшего использования.
- Глава **Безопасность** прочитана и понята.
- Оператор знаком с общими программами на базе Windows®.
- При необходимости: успешно пройдено базовое обучение и инструктаж по технике безопасности.

5.2 Включение микроскопа

Предпосылка ✓ *Микроскоп подключен к электросети [▶ 233].*

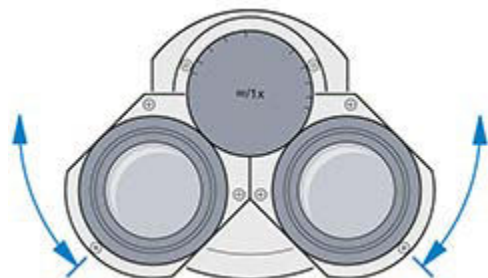
- Процедура**
1. Поворачивать ручку регулировки интенсивности света.
 2. Настроить необходимую интенсивность освещения.
→ Выбранная интенсивность указывается светоизлучающими диодами на штативе.

5.3 Регулировка положения окуляров

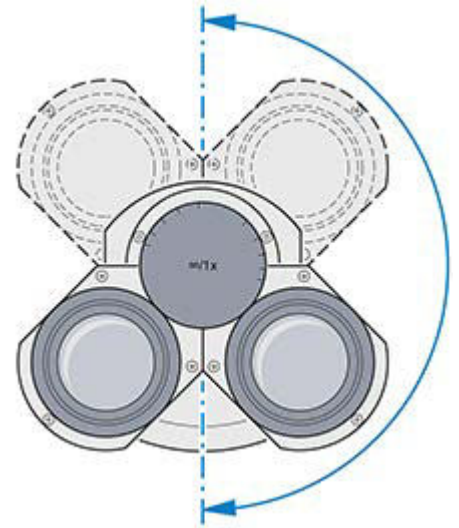
Информация

Если через оба окуляра видно одно круглое изображение, то расстояние между окулярами отрегулировано правильно.

- Процедура**
1. Установить расстояние между окулярами, симметрично вращая окулярные трубки в направлении друг к другу или друг от друга.

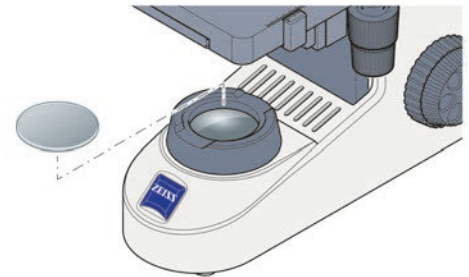


2. Установить высоту просмотра, поворачивая окуляры на 180° вверх или вниз.



5.4 Установка синего фильтра

- Процедура**
1. Поместить синий фильтр на полевую диафрагму.



Для демонтажа действовать в обратном порядке.

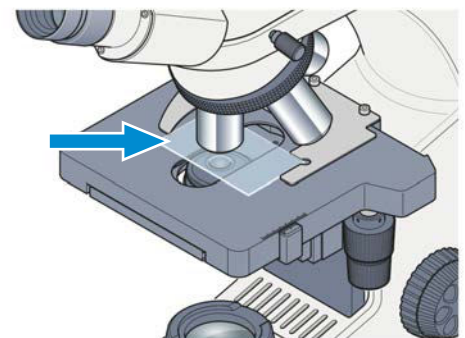
5.5 Получение изображения

Информация

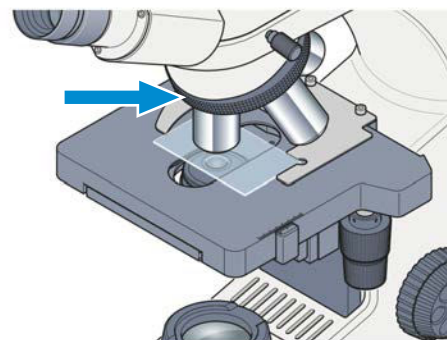
Микроскоп поставляется уже настроенным с завода

Предпосылка ✓ Положение окуляров задано [▶ 234].

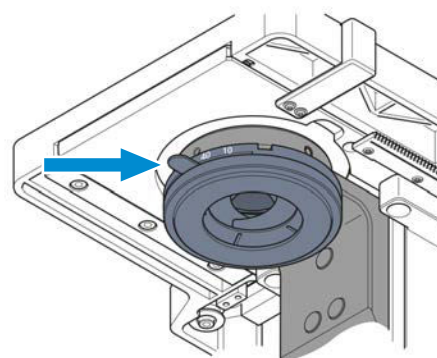
- Процедура**
1. Поместите образец на предметное стекло на подвижном столике.



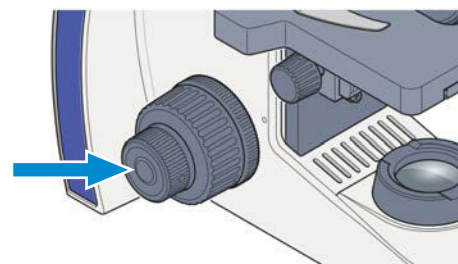
2. Выберите необходимое увеличение, установив соответствующий объектив в путь светового луча.



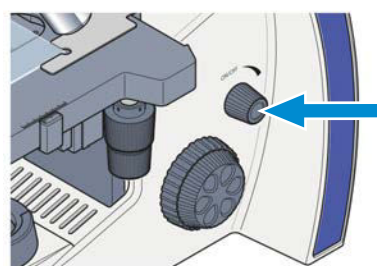
3. Установите рычаг управления апертурной диафрагмой конденсора на значение выбранного увеличения (**10x**, **40x** или **100x**).



4. Наведите фокус на образец с помощью ручки фокусировки.



5. С помощью поворотной ручки, регулирующей интенсивность освещения, настройте комфортное освещение.



5.6 Замена объективов

УВЕДОМЛЕНИЕ

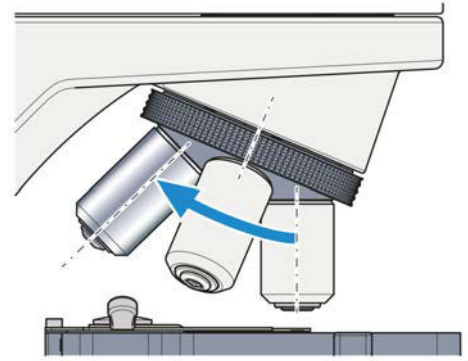
Чувствительные к пыли компоненты

Если неиспользуемые отверстия револьверной головки не закрыты, частицы могут попасть в Микроскоп и навсегда повредить оптические и механические устройства.

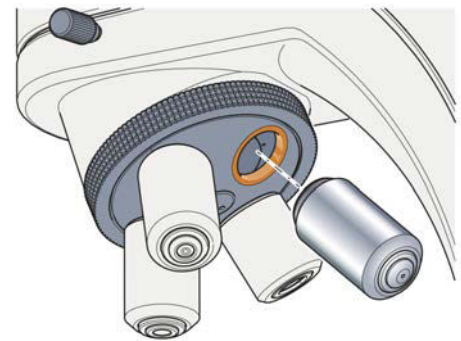
- ▶ Всегда закрывать неиспользуемые отверстия револьверной головки крышками!

Объективы должны быть установлены согласно направлению, указанному на рисунке, в порядке возрастания увеличения.

- Процедура**
1. Использовать ручку фокусировки, чтобы полностью опустить механический столик или держатель столика.
 2. Снять крышку или вывинтить имеющийся объектив из соответствующего отверстия револьверной головки.



3. Вынуть объектив из футляра.
4. Аккуратно ввинтить объектив в отверстие. Убедиться, что он плотно сидит в резьбе револьверной головки.



5.7 Выключение микроскопа

- Процедура**
1. Поворачивать ручку регулировки интенсивности света.
→ Светоизлучающие диоды выключаются.
 2. Накрыть микроскоп пылезащитным чехлом.

6 Уход и очистка

Для обеспечения максимальной производительности Микроскоп необходимо регулярно проводить техническое обслуживание. Для поддержания эксплуатационной безопасности и надежности Микроскоп мы рекомендуем заключить **договор на сервисное обслуживание с компанией ZEISS**. Просьба сохранять журналы обслуживания вашего Микроскоп.

ОПАСНОСТЬ

Опасность поражения электрическим током из-за деталей, находящихся под напряжением

Если Микроскоп все еще включен, контакт с деталями, находящимися под напряжением, может привести к поражению электрическим током или ожогам.

- ▶ Перед открытием или очисткой выключите Микроскоп.
- ▶ Отключите детали, находящимися под напряжением, от электропитания.

УВЕДОМЛЕНИЕ

Нарушение работы из-за грязи и влаги

Грязь, пыль и влага могут нарушить работу Микроскоп и привести к короткому замыканию.

- ▶ Если Микроскоп не используется, закройте его пылезащитным чехлом.
- ▶ Вентиляционные отверстия должны быть всегда свободны.
- ▶ Регулярно проводите техническое обслуживание и очистку в соответствии с указаниями, содержащимися в этом и других соответствующих документах.
- ▶ Позаботьтесь о том, чтобы не произошло проникновение очищающей жидкости или влаги в Микроскоп.
- ▶ В случае повреждения следует немедленно вывести из эксплуатации соответствующие компоненты Микроскоп.





6.1 Очистка оптической поверхности

УВЕДОМЛЕНИЕ

Повреждение линзы из-за неправильной очистки

- ▶ Медленно и осторожно удалить пыль с линзы.
- ▶ Удалять пыль с оптических поверхностей щеткой из натурального волоса или сдуть ее резиновым пыльником.

Детали и инструменты

-  Чистая ткань
-  Ватная палочка
-  Чистящий раствор для оптического оборудования (85 % n-гексан и 15 % об. изопропиловый спирт (IPA))
-  Безворсовая ткань

Процедура

1. Если необходимо, смочить ватную палочку или чистую ткань чистящим раствором для оптического оборудования.

2. Протереть оптические поверхности круговыми движениями в направлении края оптики с небольшим нажимом.





НЕПРАВИЛЬНО

ПРАВИЛЬНО

3. Высушить тканью без ворса.

6.2 Устранение водорастворимого загрязнения

Детали и инструменты  Чистая ткань
 Безворсовая ткань

- Процедура**
1. Смочить чистую ткань водой.
→ В воду можно добавить неагрессивное моющее средство (не растворитель!).
 2. Протереть поверхность тканью.
 3. Высушить тканью без ворса.

7 Поиск и устранение неисправностей

Нижеприведенная таблица содержит информацию по устранению типичных проблем.

Информация

Если вы не можете решить проблему, или у вас есть какие-либо технические затруднения, свяжитесь с вашим региональным представителем сервисной службы ZEISS.

| Проблема | Причина | Действие |
|--------------------------------------------------------------------|-----------------------------------------------------------------------------------------------------|------------------------------------------------------------------------------------------------------------------------------------|
| Поле зрения видно не полностью | Револьверная головка с объективом не полностью защелкнута в конечной позиции. | Защелкнуть револьверную головку с объективом в конечной позиции. |
| | Фильтр неправильно расположен на полевой диафрагме микроскопа. | <i>Правильно расположить фильтр [► 235].</i> |
| Низкая разрешающая способность и плохой контраст изображения | Апертурная диафрагма отрегулирована неправильно. | Установить апертурную диафрагму согласно правилу 2/3 или характеристикам образца. |
| | Конденсор неправильно сфокусирован. | Сфокусировать конденсор. |
| | Используется неправильная толщина покровного стекла для объективов проходящего света. | Использовать стандартное покровное стекло толщиной 0,17 мм, если объективы откорректированы для толщины покровного стекла 0,17 мм. |
| | Иммерсионные объективы используются без иммерсионного масла или с неподходящим иммерсионным маслом. | Использовать иммерсионное масло 518 N или 518 F компании ZEISS. |
| | В иммерсионном масле присутствуют воздушные пузырьки. | Повторить процедуру смазки, используя свежее масло. |
| | Передняя линза сухого объектива загрязнена иммерсионным маслом. | Очистить переднюю линзу сухого объектива. |
| | Грязь или пыль на оптических поверхностях объективов, окуляров, конденсоров или фильтров. | Очистить соответствующие оптические компоненты. |
| Значительное отличие в расположении фокуса после замены объектива. | Фокусирующие окуляры установлены неправильно. | Настроить фокусирующие окуляры на объективе с нечетким изображением. |

| Проблема | Причина | Действие |
|-----------------------------------------------------------------------------------------------|-------------------------------------------------------------------|----------------------------------------------------|
| Светодиодный источник света не загорается при вращении ручки регулировки интенсивности света. | Сетевая вилка не вставлена в розетку. | <i>Вставить сетевую вилку в розетку [▶ 233].</i> |
| Столик опускается сам по себе, фокус нестабилен. | Настроенный крутящий момент ручки грубой фокусировки слишком мал. | Связаться с представителем сервисной службы ZEISS. |

8 Вывод из эксплуатации и утилизация

Эта глава содержит информацию о выводе из эксплуатации и утилизации Микроскоп, а также его системных расширений/компонентов и аксессуаров.

8.1 Вывод из эксплуатации

Если Микроскоп не используется в течение продолжительного времени, например, нескольких месяцев, его следует полностью выключить и защитить от несанкционированного доступа. Полный вывод из эксплуатации Микроскоп должен выполняться представителем сервисной службы компании ZEISS.

ОПАСНОСТЬ

Опасность поражения электрическим током из-за деталей, находящихся под напряжением

Если Микроскоп все еще включен, контакт с деталями, находящимися под напряжением, может привести к поражению электрическим током или ожогам.

- ▶ Перед открытием или очисткой выключите Микроскоп.
- ▶ Отключите детали, находящиеся под напряжением, от электропитания.

- Процедура**
1. Выключить Микроскоп.
 2. Вытащить сетевую вилку.

8.2 Очистка от загрязнений

Перед возвращением любых использованных компонентов компании ZEISS необходимо предоставить свидетельство об очистке от загрязнений.

Если невозможно обеспечить надежную очистку от загрязнений, то следует указать на опасность согласно соответствующим правилам. Как правило, следует нанести на само изделие и внешнюю сторону его упаковки хорошо заметный предупреждающий знак, сопроводив его подробной информацией о типе загрязнения.

8.3 Транспортировка и хранение

До и во время транспортировки следует соблюдать следующие предписания:

- Ящики во время транспортировки должны быть зафиксированы.
- Позаботиться о том, чтобы ящики не качались вперед и назад.
- Обратит внимание на информацию о весе на упаковке и в транспортной накладной.
- Если возможно, использовать оригинальную упаковку для перевозки и транспортировки.

Максимальная ударопрочность

- Не ронять и не ударять ящики во время перевозки или хранения. Любое ускорение должно быть < 10 г.
- Провести оценку данных датчиков ударов и наклона после поставки и после транспортировки внутри компании.

Допустимая температура

Допустимая температура во время хранения на месте:

- От -10 °C до +40 °C
- Относительная влажность меньше 80 % при +40 °C

Допустимая температура во время транспортировки в упаковке:

- От -40 °C до +70 °C

Информация

В течение **24 ч перед установкой** Микроскоп ящики должны находиться при рекомендуемой комнатной температуре, чтобы избежать попадания влаги, пагубно влияющей на оптические пути, а также обеспечить устойчивость Микроскоп во время установки и испытания.

8.4 Утилизация

Запрещается утилизировать Микроскоп и его компоненты как домашние отходы или через муниципальные утилизирующие предприятия. Их следует утилизировать в соответствии с действующими предписаниями (Директива ЕС об утилизации электрического и электронного оборудования 2012/19/ЕС). Компания ZEISS внедрила систему возврата и переработки устройств в государствах-членах ЕС, которая обеспечивает повторное использование согласно упомянутым директивам ЕС. Заказчик несет ответственность за очистку от загрязнений.

Информация

Подробную информацию об утилизации и переработке можно получить у вашего партнера по сбыту и сервисному обслуживанию компании ZEISS.

9 Технические данные и соответствие стандартам

В этой главе приведены важные технические данные, а также информация о соответствии стандартам.

9.1 Действующие стандарты и предписания

Соблюдать все общие предписания и предписания страны эксплуатации по технике безопасности, а также действующие законы и предписания по защите окружающей среды.

Микроскоп соответствует требованиям следующих норм и директив:

| | |
|-----------------------------------------|-------------------------------------------------------------------------------------------------------------------------------------------------------------------------------------------|
| 2011/65/EC 2015/836/EC | Директива RoHS |
| 98/79/EC | Директива IVD |
| EN 55011 | Шумовая эмиссия в соответствии с CISPR 11 группа 1 класс B Предполагаемое использование в промышленной среде |
| EN 61010-1 и IEC 61010-2-101 | Электрооборудование для проведения измерений, управления и лабораторного использования. Требования безопасности |
| DIN EN 61326-1 DIN EN 61326-2-6:2013 | Электрооборудование для измерения, управления и лабораторного использования. Требования к электромагнитной совместимости / требования к IVD |
| EN 62471 | Фотобиологическая безопасность ламп и ламповых систем Соответствие предельным значениям в соответствии с EN 62471 группа риска 1 (не вызывает риска, если смотреть со стороны окуляра) |

Микроскоп и его аксессуары были отнесены к приборам категории 9 (лабораторное оборудование или аналогичный стандарт). В соответствующих случаях он также соответствует требованиям предписаний EC 2011/65/EC (RoHS) и 2012/19/EC (WEEE).

Европейские и международные директивы / стандарты: Для получения дополнительной информации по сертификации ISO и CSA или декларациям соответствия нормам ЕС просьба обратиться к вашему партнеру по сбыту и сервисному обслуживанию компании ZEISS.

Компания ZEISS работает в соответствии с сертифицированной системой экологического менеджмента согласно ISO 14001. Микроскоп был разработан, протестирован и изготовлен в соответствии с действующими предписаниями и директивами закона по охране окружающей среды ЕС.

9.2 Рабочие и технические характеристики

Микроскоп должен эксплуатироваться только в закрытых помещениях. Рекомендуется установить Микроскоп в темном помещении, где искусственное освещение, солнечный свет или другие источники света не смогут помешать получению изображения. Микроскоп не следует устанавливать рядом с окнами с прямым солнечным светом или радиаторами. Заказчик несет ответственность за соблюдение требований к установке Микроскоп и наличие необходимых расходных материалов во время установки. В связи с непрерывным развитием мы оставляем за собой право изменять технические характеристики без предварительного уведомления.

Микроскоп необходимо подключить к правильно установленной розетке с контактом защитного заземления с помощью сетевого кабеля, входящего в комплект поставки. Использование удлинительных кабелей не должно оказывать негативное влияние на защитное заземление.

Информация

Ваш партнер по сбыту и сервисному обслуживанию компании ZEISS предоставит вам подробную информацию о требованиях к установке.

| | | | | | |
|---------------------------------------|-------------------------------------------|--------------------------------------------------------------|--------------------|--------------------|-----------------|
| Вес и габариты | Основные компоненты | Длина (мм) | Ширина (мм) | Высота (мм) | Вес (кг) |
| | Штатив с бинокулярным тубусом | 410 | 190 | 395 | 7,7 |
| Кондиционирование и качество воздуха | Температурный диапазон для эксплуатации | от 5 до 40 °C | | | |
| | Относительная влажность | < 80 % при 35 °C | | | |
| | Атмосферное давление / высота | от 800 до 1060 гПа / ≤ 2000 м над уровнем моря | | | |
| | Степень загрязнения | 2 | | | |
| Сетевой блок питания | Номинальное напряжение пер. тока | Фаза/ноль от 100 до 240 В ± 10 % | | | |
| | Номинальная частота | 50 / 60 Гц | | | |
| | Сетевая вилка | Сетевая вилка для локальной сети входит в комплект поставки. | | | |
| | Потребление энергии | макс. 0,8 А | | | |
| | Выход | 12 В пост. тока, макс. 2,5 А | | | |
| Подключение к сетевому электропитанию | Номинальная потребляемая мощность штатива | 12 В пост. тока, макс. 2,5 А | | | |
| | Степень защиты | IP20 (IEC 60529) | | | |
| | Класс защитного заземления согласно МЭК | класс III IEC 61140 | | | |
| | Категория перенапряжения | II | | | |

9.3 Рабочие и технические характеристики опциональных компонентов

Заказчик несет ответственность за соблюдение условий установки микроскопа, а также за то, чтобы необходимое оборудование уже было в наличии на момент установки. Мы оставляем за собой вносить изменения в связи с непрерывным развитием техники.

| | | |
|------------------------------------------|----------------------------------------------------------|---------------------------------------------------------------|
| Светодиодное освещение | Светодиод | белый свет |
| | Пиковая длина волны | 440 нм |
| | Класс светодиода | 1 |
| | Постоянная цветовая температура, не зависящая от яркости | 3200 К |
| | Однородная подсветка поля зрения | 20 мм (диаметр) |
| | Подходит для объективов с увеличением | 4x – 100x |
| | Аналоговая настройка яркости | прибл. от 15 до 100 % |
| Штатив с фокусирующим устройством | Ручка грубой фокусировки | 42 мм / об. |
| | Ручка тонкой фокусировки | 0,2 мм / об. |
| | Высота полного подъема предметного столика | 15 мм |
| Револьверная головка | Смена объективов | вручную с помощью револьверной головки с четырьмя объективами |
| | Объективы | диапазон, скорректированный на бесконечность |
| | Крепежная резьба | W 0,8 |
| Окуляры микроскопа | Размер тубуса | 30 мм |
| | Линейное поле зрения | 20 |
| | Увеличение | 10x |
| | подходят для тех, кто носит очки | Br. |
| | Фокусируемые | Foc. |
| Предметный столик | Тип | крестообразный |
| | Габариты (ширина x глубина) | 140 x 140 мм |
| | Перемещение столика (X x Y) | 75 x 40 мм |
| | Коаксиальный привод | в качестве опции справа или слева |

| | | |
|---------------------------------|--------------------------------------------------------|---------------------------------------|
| | Нониусная шкала | читается справа |
| | Держатель образца | с пружинным рычагом, слева |
| Конденсор | Конденсор Аббе 0,9; фиксированное освещение по Келеру | для $V_{\text{объек.}}$ от 4x до 100x |
| Осветительное зеркало | Плоская поверхность и сферическая поверхность с f' . | 75 мм |
| Биноклярный тубус 30°/20 | Максимальное линейное поле зрения | 20 |
| | Расстояние между окулярами | регулируется от 50 до 75 мм |
| | Угол наклона тубуса | 30° |
| | Высота просмотра | от 380 до 415 мм |
| | Смотровое отверстие, кратность увеличения тубуса | 1x |

10 Аксессуары и дополнительные расширения системы

Только следующие аксессуары могут использоваться с Микроскопом, так как их безопасность была подтверждена компанией ZEISS. Разрешается использовать только оригинальные запасные части компании ZEISS. Предварительно проверить, можно ли дооснастить ваш Микроскоп системным расширением.

После установки или переоборудования следует тщательно проверить, находится ли Микроскоп и его системные расширения/компоненты в безопасном рабочем состоянии и закрыты ли неиспользуемые порты на штативе. Подробная информация и дополнительные меры безопасности содержатся в соответствующих документах.

Информация

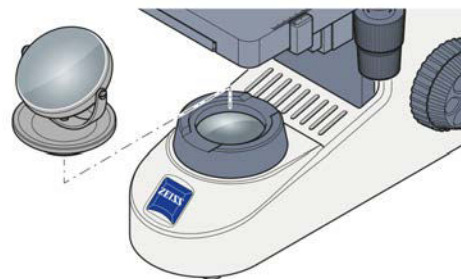
Дополнительную информацию и подробное описание можно найти в соответствующих документах или запросить у вашего партнера по сбыту и сервисному обслуживанию компании ZEISS.

| Название | Описание/информация |
|-----------|-------------------------------------------------------------------------------------------------------------------------------------------------------------------------------------------------------------------------------------------------------------------------------------------------------------------------------------------------------------------------------------------------------------------------------------------------------------------------------------------------------------------------------------------------------------------------------------------------------------------------------|
| Объективы | <p>Характеристики объективов микроскопа влияют на качество изображения вашего микроскопа, как никакой другой компонент системы. Работаете ли вы с гистологическими образцами, образцами клеток или целыми организмами – пригодность объективов микроскопа для вашего применения зависит от различных факторов.</p> <p>Более подробную информацию о доступных и рекомендуемых объективах можно найти по ссылке https://www.microshop.zeiss.com/de/de/shop/objectives или уточнить у вашего партнера по сбыту и сервисному обслуживанию компании ZEISS.</p> |
| Зеркало | Если розетка недоступна, зеркало служит для освещения образца. |

10.1 Установка зеркала

Функция Зеркало служит для освещения образца при отсутствии розетки.

Процедура 1. Установить зеркало на крепление полевой диафрагмы.



2. Поворачивать и наклонять зеркало до тех пор, пока дневной свет не будет равномерно отражаться в путь светового луча.

Для демонтажа действовать в обратном порядке.

Словарь терминов

NA

Числовая апертура

ZEISS

ZEISS является ведущим международным технологическим предприятием в области оптики и оптоэлектроники. Дополнительную информацию о компании ZEISS можно найти на сайте www.zeiss.com.

Партнер по сбыту и сервисному обслуживанию компании ZEISS

Партнер по сбыту и сервисному обслуживанию компании ZEISS обычно работает в области поддержки заказчиков в определенном регионе и/или в четко определенной группе заказчиков.

Пользователь

Человек, исследующий образец под микроскопом.

Представитель сервисной службы компании ZEISS

Специалист, прошедший специальное обучение по обслуживанию, из штата ZEISS или из штата авторизованного сервисного партнера компании ZEISS.

Алфавитный указатель

Z

| | |
|------------------------------------|-----|
| ZEISS | |
| Договоры на сервисное обслуживание | 238 |
| Портал | 222 |

A

| | |
|------------|-----|
| Аксессуары | 248 |
|------------|-----|

Б

| | |
|--------------|-----|
| Безопасность | 223 |
|--------------|-----|

B

| | |
|----------------------------------|----------|
| В светлом поле проходящего света | 235 |
| Вес и габариты | 245 |
| Включение | 234 |
| Выключение | 237, 242 |
| Высота просмотра | 235 |

З

| | |
|-------------|-----|
| Загрязнение | 242 |
| Зеркало | 248 |

И

| | |
|-----------------------------|-----|
| Изображение | 235 |
| Информационные наклейки | 227 |
| Использование по назначению | 223 |

К

| | |
|---------------------------------------|-----|
| Кондиционирование и качество воздуха | 245 |
| Коэффициент масштабирования объектива | 231 |

О

| | |
|------------------------------------------|----------|
| Обучение | 224 |
| Общая информация по технике безопасности | 223 |
| Объектив | 231, 237 |
| Окуляр | 232 |
| Опасности | 224 |
| Предотвращение | 224 |
| Опциональные системные расширения | 248 |
| Установка | 248 |
| Осторожно наклейки | 226 |
| Очистка | |
| Водорастворимое загрязнение | 239 |
| Очистка от загрязнений | 242 |

П

| | |
|---------------------------------------|-----|
| Подключение к сетевому электропитанию | 245 |
| Подключение микроскопа | 233 |
| Поиск и устранение неисправностей | 240 |
| Предпосылки | |
| Эксплуатация | 234 |
| Предупреждающие наклейки | 227 |
| Предупреждение | |
| Наклейки | 226 |
| Свет | 226 |

P

| | |
|----------------------------|-----|
| Рабочие характеристики | 245 |
| Расстояние между окулярами | 234 |

C

| | |
|--------------|-----|
| Светлое поле | 235 |
|--------------|-----|

T

| | |
|--------------------------|-----|
| Техническое обслуживание | 238 |
| Требования | |
| Для операторов | 224 |

y

| | |
|---------------------------------|-----|
| Условие безопасной эксплуатации | 224 |
| Установка | |
| Зеркало | 248 |
| Объектив | 237 |
| Фильтр | 235 |
| Утилизация | 243 |

Ф

| | |
|--------|-----|
| Фильтр | 235 |
|--------|-----|

Ч

| | |
|-------------------|-----|
| Числовая апертура | 231 |
|-------------------|-----|

Э

| | |
|---------------------|-----|
| Эксплуатация | |
| Предпосылки | 234 |
| Элементы управления | 229 |

Índice

| | | |
|----------|--------------------------------------------------------------------------|------------|
| 1 | Información general..... | 253 |
| 1.1 | Convenciones de texto y tipos de enlace..... | 253 |
| 1.2 | Otros documentos aplicables | 253 |
| 1.3 | Explicación de los mensajes de advertencia e información adicional | 254 |
| 1.4 | Contacto..... | 255 |
| 2 | Seguridad | 256 |
| 2.1 | Utilización prevista | 256 |
| 2.2 | Instrucciones generales de seguridad | 256 |
| 2.2.1 | Requisitos para los operadores..... | 256 |
| 2.2.2 | Condición de funcionamiento seguro..... | 257 |
| 2.3 | Prevención de riesgos..... | 257 |
| 2.3.1 | Riesgos mecánicos | 257 |
| 2.3.2 | Riesgos eléctricos..... | 257 |
| 2.3.3 | Riesgos generados con el entorno operativo | 257 |
| 2.3.4 | Riesgos ergonómicos | 258 |
| 2.3.5 | Riesgos generados por materiales y sustancias | 258 |
| 2.4 | Pegatinas y luces de advertencia | 258 |
| 2.4.1 | Significado de las etiquetas de advertencia e información | 259 |
| 2.4.2 | Etiquetas de advertencia e información en el estativo..... | 259 |
| 3 | Descripción del producto y las funciones | 260 |
| 3.1 | Principales componentes del Primostar 1..... | 260 |
| 3.2 | Mandos e indicadores en el estativo..... | 261 |
| 3.3 | Objetivos | 263 |
| 3.4 | Ocular..... | 264 |
| 4 | Instalación | 265 |
| 4.1 | Conexión del microscopio a la red eléctrica..... | 265 |
| 5 | Primeros pasos operativos | 266 |
| 5.1 | Requisitos para la puesta en funcionamiento y la operación | 266 |
| 5.2 | Encendido del microscopio..... | 266 |
| 5.3 | Ajuste de la posición de los oculares | 266 |
| 5.4 | Instalación del filtro azul | 267 |
| 5.5 | Adquisición de una imagen | 267 |
| 5.6 | Cambio de objetivos | 268 |
| 5.7 | Apagado del microscopio..... | 269 |
| 6 | Trabajos de limpieza y mantenimiento | 270 |
| 6.1 | Limpieza de la superficie óptica..... | 270 |
| 6.2 | Eliminación de la suciedad hidrosoluble..... | 271 |
| 7 | Localización y solución de problemas | 272 |

| | | |
|-----------|----------------------------------------------------------------------------|------------|
| 8 | Puesta fuera de servicio y eliminación | 274 |
| 8.1 | Puesta fuera de servicio..... | 274 |
| 8.2 | Descontaminación | 274 |
| 8.3 | Transporte y almacenamiento | 274 |
| 8.4 | Eliminación | 275 |
| 9 | Datos técnicos y conformidad..... | 276 |
| 9.1 | Normas y reglamentación aplicables | 276 |
| 9.2 | Especificaciones / datos de rendimiento | 276 |
| 9.3 | Datos de rendimiento y especificaciones de los componentes opcionales..... | 277 |
| 10 | Accesorios y ampliaciones opcionales del sistema | 279 |
| 10.1 | Instalación del espejo..... | 279 |
| | Glosario | 280 |
| | Índice | 281 |

1 Información general

Se considera que este manual de instrucciones forma parte del Primostar 1, en adelante denominado Microscopio.

Este manual de instrucciones incluye los pasos básicos y la información de seguridad que debe observarse durante el funcionamiento y el mantenimiento del producto. Por tanto, el manual de instrucciones debe ser leído por el operador antes de la puesta en funcionamiento; el manual debe estar siempre disponible en el lugar de uso del Microscopio. Este manual de instrucciones es parte esencial del Microscopio z, en caso de reventa del Microscopio, el manual de instrucciones debe permanecer con el Microscopio ser entregado al nuevo propietario.

1.1 Convenciones de texto y tipos de enlace

Se emplean los siguientes tipos de vínculos y convenciones textuales:

| Convención de texto | Significado |
|-------------------------------------------------------------------------------------------------------|----------------------------------------------------------------------------------------------------------------------------------------------------------------------------------------------------------------|
| Haga clic en Start . Pulse el botón STANDBY . Pulse [Enter] en el teclado. | El nombre de los controles e información importante aparecen en negrita. |
| Pulse <Ctrl+Alt+Del> | Pulse simultáneamente varias teclas en el teclado. |
| Seleccione Tools > Go to Control Panel > Airlock . | Seguir una ruta en el software. |
| <i>Entrada de texto</i> | Texto que debe introducir el usuario |
| Programming and Macros | Todo lo que se introduzca a mano durante la programación incluyendo, por ejemplo, códigos de macros, palabras clave, tipos de datos, nombres de métodos, variables, nombres de clases y nombres de interfaces. |

Mesa 1: Convención de texto

| Tipo de enlace | Significado |
|-----------------------------------------------------------------------------------------------------------|-------------------------------------------------|
| Véase: <i>Convenciones de texto y tipos de enlace</i> [▶ 253]. | Enlace a información detallada sobre este tema. |
| https://www.zeiss.com/corporate/int/home.html | Vínculo a una página web en Internet. |

Mesa 2: Tipos de enlace

1.2 Otros documentos aplicables

Tener en cuenta también los siguientes documentos:

| | |
|-------------------------------------------------------------------|------------------------------------------------------------------------------------------------------------------------------------------------------------------------------------------------------------------------------------------------------------------------------------------------------------------|
| Folletos y certificados | Consulte a su socio de ventas y servicio de ZEISS para obtener folletos, certificados ISO, certificados CSA y declaraciones de conformidad de la UE. |
| Normativa local y nacional en materia de salud y seguridad | Se debe cumplir la normativa local y nacional en materia de salud y seguridad en lo que respecta a las instalaciones y al uso del Microscopio. Consulte a su socio de ventas y servicio posventa ZEISS en el caso de que estas normativas entren en conflicto con los requisitos de instalación del Microscopio. |

| | |
|----------------------------------------------------------|----------------------------------------------------------------------------------------------------------------------------------------------------------------------------------------------------------------------------------------------------------|
| Hojas de datos de seguridad | Observe las hojas de datos de seguridad adjuntas. Las instrucciones y directrices de las hojas de datos de seguridad son de obligado cumplimiento. |
| Componentes del sistema y de terceros, accesorios | El Microscopio puede configurarse de muchas maneras. Si desea información sobre componentes individuales, mejoras y accesorios, consulte con su socio de ventas y servicio posventa ZEISS. Consulte también la documentación de terceros del fabricante. |

1.3 Explicación de los mensajes de advertencia e información adicional

PELIGRO, ADVERTENCIA, ATENCIÓN y AVISO son palabras de advertencia estandarizadas para determinar los niveles de peligro y riesgo de daños personales y materiales. No solo es necesario considerar los mensajes de seguridad y advertencia del capítulo de **Seguridad**, sino también todos los mensajes de seguridad y advertencia de otros capítulos. La no observancia de estas instrucciones puede provocar daños personales y materiales y la pérdida de cualquier derecho de garantía.

En este documento se emplean los siguientes mensajes de advertencia que avisan de situaciones peligrosas.

PELIGRO

Tipo y fuente del peligro

PELIGRO indica una situación inminente peligrosa que en caso de no evitarse puede provocar la muerte o una lesión seria.

ADVERTENCIA

Tipo y fuente del peligro

ADVERTENCIA indica una situación potencialmente peligrosa que en caso de no evitarse puede provocar la muerte o una lesión seria.

ATENCIÓN

Tipo y fuente del peligro

PRECAUCIÓN indica una situación potencialmente peligrosa que en caso de no evitarse puede provocar una lesión leve o moderada.

AVISO

Tipo y fuente del peligro

AVISO indica una posible situación dañina que, de no evitarse, puede provocar daños materiales.

Info

Muestra información adicional o explicaciones para que los usuarios puedan entender mejor los contenidos de manual de instrucciones.

1.4 Contacto

En caso de dudas o problemas, póngase en contacto con su socio de ventas y servicio posventa ZEISS o diríjase a una de las siguientes direcciones:

Sede central

| | |
|---------------------|------------------------------|
| Teléfono: | +49 1803 33 63 34 |
| Fax: | +49 3641 64 3439 |
| Correo electrónico: | info.microscopy.de@zeiss.com |

Cursos y formación

| | |
|---------------------|---------------------------------|
| Correo electrónico: | courses.microscopy.de@zeiss.com |
|---------------------|---------------------------------|

Portal de ZEISS

El portal de ZEISS (<https://portal.zeiss.com/>) ofrece diversos servicios que simplifican el trabajo diario con sus sistemas ZEISS (máquinas y software). Se mejora y amplía constantemente para satisfacer mejor sus necesidades y requisitos.

Socio de ventas y servicio posventa ZEISS

Puede encontrar un socio de ventas y servicio posventa local de ZEISS en <https://www.zeiss.de/mikroskopie/website/forms/sales-and-service-contacts.html>.

Servicio Alemania

| | |
|---------------------|---------------------------------|
| Teléfono: | +49 7364 20 3800 |
| Fax: | +49 7364 20 3226 |
| Correo electrónico: | service.microscopy.de@zeiss.com |

2 Seguridad

Este capítulo contiene requisitos generales para un trabajo seguro. Toda persona que use el Microscopio o trabaje en su instalación o mantenimiento debe leer y acatar estas instrucciones generales de seguridad. El conocimiento de las instrucciones y requisitos básicos de seguridad es una condición previa para un funcionamiento seguro y sin fallos. La seguridad de operación del Microscopio suministrado solo está garantizada si se opera según su uso previsto.

Si alguna actividad implica riesgos residuales, se mencionará específicamente en los puntos pertinentes de este documento. En las piezas cuyo manejo requiera una especial precaución se colocará una pegatina de aviso. Estos avisos se deben observar siempre.

2.1 Utilización prevista

El Primostar 1 es un microscopio especialmente diseñado para la formación y la práctica.

Las aplicaciones típicas son:

- formación (enseñanza, estudio)
- laboratorios
- práctica médica

El uso inadecuado puede dar lugar fácilmente a un deterioro de su funcionamiento o incluso daños en el Microscopio. Los daños causados por un funcionamiento incorrecto, negligencia o intervención no autorizada, en particular al retirar, modificar o sustituir piezas del Microscopio, no pueden ser considerados responsabilidad del fabricante. No se pueden utilizar dispositivos o componentes de terceros que no cuenten expresamente con autorización de ZEISS.

2.2 Instrucciones generales de seguridad

Es obligatorio leer este manual de instrucciones antes de la puesta en funcionamiento, para garantizar una operación segura e ininterrumpida. Prestar atención especial a todas las notas de seguridad indicadas. Asegúrese de que

- el personal de servicio ha leído y comprendido este manual de instrucciones, los documentos asociados y, en particular, todas las normas e instrucciones de seguridad, y las aplica.
- se observan las normas de seguridad y prevención de accidentes locales y nacionales, así como las leyes y normativas aplicables en su país.
- este manual de instrucciones esté siempre disponible junto al Microscopio.
- el Microscopio se encuentre en un estado impecable.
- cuando no se esté usando, el Microscopio esté asegurado contra el acceso de personas no autorizadas.
- Los trabajos de mantenimiento y reparación, el reequipamiento, el desmontaje o la sustitución de componentes, así como cualquier otra intervención en el Microscopio no descrita en este manual de instrucciones, sólo podrán ser realizados por el fabricante ZEISS o por personas expresamente autorizadas a ello por ZEISS.

2.2.1 Requisitos para los operadores

El manejo y el mantenimiento del Microscopio, sus componentes y accesorios sólo deben ser realizados por personal autorizado y formado. El Microscopio solamente puede utilizarse de conformidad con el manual de instrucciones. Si el Microscopio no se usa del modo descrito, puede afectar a la seguridad del usuario y provocar daños en el Microscopio. En caso de intervención no autorizada o uso no adecuado a su fin, queda anulado cualquier derecho de garantía. Las normativas regionales sobre la protección de la salud y la prevención de accidentes deben observarse en todo momento y durante todos los trabajos con el Microscopio.

Formación El personal autorizado de ZEISS proporcionará la formación básica para el manejo del Microscopio. Así como información sobre la seguridad de los equipos y los trabajos de mantenimiento que puede realizar el operador. El cursillo es documentado por ZEISS y el operador debe confirmar su realización.

Se ofertan cursillos especiales de aplicación de pago. Encontrará las fechas actuales de los cursos, información adicional y el formulario de registro en <https://www.zeiss.com/microscopy/int/service-support/training-and-education.html>.

2.2.2 Condición de funcionamiento seguro

Si surgen circunstancias que suponen una merma para la seguridad y que provocan cambios en la respuesta funcional del equipo, se debe apagar el Microscopio de modo inmediato y se debe informar a un representante de servicio de ZEISS. Esta permitido emplear el Microscopio solo después de haber sido correctamente instalado por un Representante de servicio técnico ZEISS y de conformidad con las condiciones de empleo del mismo. Está permitido emplear el Microscopio solo después de haber sido correctamente instalado por un Representante de servicio técnico ZEISS y si se respetan las condiciones de empleo.

- No emplee el Microscopio hasta que no haya leído y comprendido íntegramente toda la documentación que le haya sido entregada junto con el Microscopio.
- Asegúrese de que se hayan instalado todos los paneles de la cubierta protectora y que estén disponibles y legibles todas las etiquetas de advertencia.
- Garantice unas condiciones adecuadas y adopte medidas para impedir la acumulación de cargas electrostáticas en el lugar de trabajo.

2.3 Prevención de riesgos

En esta sección se resumen los riesgos potenciales y las precauciones de seguridad recomendadas. El incumplimiento de las instrucciones de seguridad y las instrucciones puede provocar lesiones personales y daños a la propiedad.

2.3.1 Riesgos mecánicos

Daños materiales debido al transporte Existe riesgo de lesiones y daños personales si el Microscopio se maneja y transporta de manera indebida.

- Utilizar el asa, en su caso, solo para el transporte del Microscopio. En caso contrario, sujetar el Microscopio con una mano y la placa base con la otra.

2.3.2 Riesgos eléctricos

Riesgos de tensión En caso de contacto con piezas conductoras de corriente, existe peligro de descarga eléctrica.

Utilizar siempre el adaptador de corriente suministrado por ZEISS. Si se utiliza un adaptador de corriente inadecuado, ZEISS no puede garantizar la seguridad eléctrica y la funcionalidad del Microscopio.

- Apagar el Microscopio.
- Desconectar la alimentación antes de la limpieza.
- Configurar y manejar el Microscopio de manera que los conectores sean fácilmente accesibles.

2.3.3 Riesgos generados con el entorno operativo

Suciedad, polvo y humedad La suciedad, el polvo y la humedad pueden afectar al funcionamiento del Microscopio.

- Cuando no se use, apagar el Microscopio y taparlo con una cubierta antipolvo.
- Cubrir siempre las aberturas/puertos no utilizados.

- Mantenimiento y limpieza regulares conforme a las instrucciones del presente documento.
- Asegurarse de que no penetre líquido de limpieza ni humedad en el interior del Microscopio.
- Asegurarse de que las piezas eléctricas no entren nunca en contacto con la humedad.
- No exponer nunca el Microscopio a condiciones climáticas adversas (temperatura y humedad elevadas).

2.3.4 Riesgos ergonómicos

Prevención de trastornos musculoesqueléticos Los trastornos musculoesqueléticos afectan a los músculos, nervios, vasos sanguíneos, ligamentos y tendones. Los trabajadores de muchas industrias y puestos diferentes pueden estar expuestos a factores de riesgo en su trabajo, tales como levantar objetos pesados, agacharse, manipular objetos por encima de sus cabezas, empujar y arrastrar cargas pesadas, trabajar en posturas forzadas y realizar tareas idénticas o similares repetidamente. Los empleadores son responsables de proporcionar un entorno de trabajo seguro y saludable para sus trabajadores.

2.3.5 Riesgos generados por materiales y sustancias

Peligros de infección El contacto directo con los oculares puede constituir una vía potencial de transmisión de infecciones bacterianas y virales.

- Se puede disminuir el riesgo utilizando oculares o pabellones de ocular personales. Si es preciso desinfectar con frecuencia los oculares, ZEISS recomienda utilizar los oculares sin pabellones.
- Para evitar las infecciones, es muy recomendable utilizar equipos de protección individual (EPI), p. ej., guantes para el manejo, la limpieza y la descontaminación del equipo. Los guantes desechables se pueden descontaminar, p. ej., con alcohol, si es necesario, o se deben cambiar con frecuencia para minimizar el riesgo de contaminación.

Riesgos de los consumibles Una manipulación incorrecta de los consumibles y los agentes de limpieza puede ocasionar daños materiales o lesiones oculares y cutáneas. Los consumibles no homologados por ZEISS pueden ocasionar daños materiales. Consulte a su socio de ventas y servicio de ZEISS para saber qué consumibles puede solicitar y cómo manipularlos.

Riesgos de desinfectantes Garantizar una ventilación adecuada en salas cerradas. Si la ventilación es insuficiente, utilizar un equipo de protección respiratoria. Eliminar cualquier residuo perjudicial. Dejar que el dispositivo se seque después de la desinfección, en particular después de la desinfección de los oculares. No inhalar los vapores. Cuando se utilicen desinfectantes, no comer, beber o fumar. Evitar el contacto con la piel y los ojos. Quitarse la ropa contaminada y lavarla antes de volver a utilizarla.

Irritación de los ojos, la piel y las vías respiratorias La exposición a los productos químicos y sus aerosoles puede causar irritación de los ojos, la piel y las vías respiratorias. Utilizar el equipo de protección individual (EPI) adecuado.

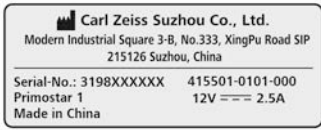



2.4 Pegatinas y luces de advertencia

Todas las piezas del Microscopio que pueden plantear riesgos específicos están marcadas con etiquetas de advertencia adicionales (pictogramas) en el Microscopio. Estas etiquetas de advertencia indican peligros potenciales y forman parte de este manual de instrucciones. Se deben mantener en un estado limpio y fácilmente legible.

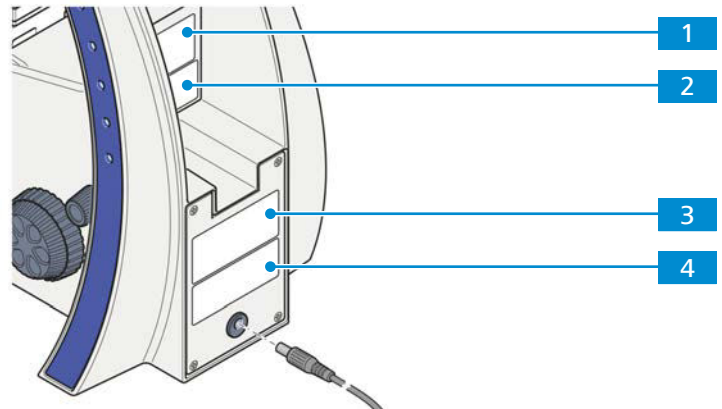
Chequee todas las etiquetas de advertencia obligatorias en cuanto a: disponibilidad, legibilidad, exactitud. Las etiquetas de advertencia dañadas o ilegibles deben ser reemplazadas de modo inmediato. Siempre observe todas las etiquetas de advertencia en todo el Microscopio.

2.4.1 Significado de las etiquetas de advertencia e información

A continuación se explica el significado de las distintas etiquetas de advertencia:

| Pos. | Símbolo | Descripción |
|------|------------------------------------------------------------------------------------|-----------------------------------------------------------------------------------------------------------------------------|
| 1 |  | Etiqueta de tipo microscopio |
| 2 |  | Superficie caliente debajo Utilizar el microscopio solamente sobre una superficie estable, sólida, lisa y no inflamable. |
| 3 |  | Etiqueta de tipo microscopio |
| 4 |  | Primostar 1 Importador para la UE Carl Zeiss Microscopy GmbH Carl-Zeiss-Promenade 10 07745 Jena, Alemania |

2.4.2 Etiquetas de advertencia e información en el estativo



Cifra 1: Ubicación de las etiquetas de advertencia e información

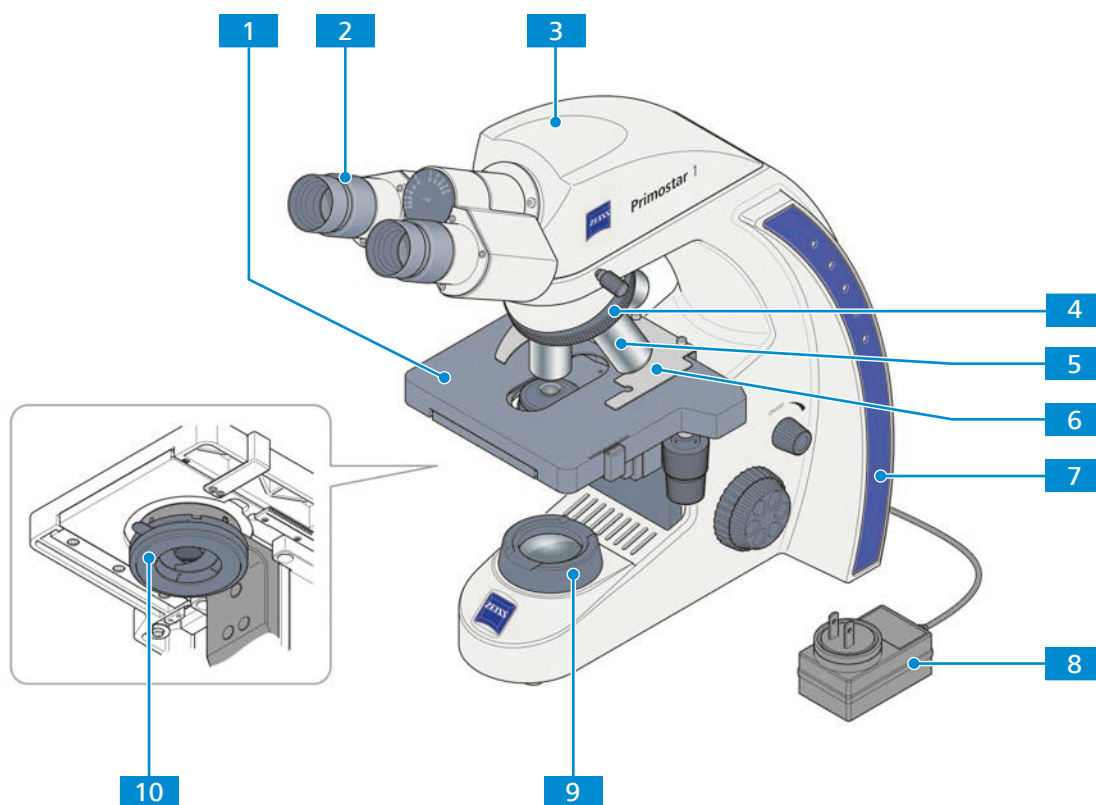
3 Descripción del producto y las funciones

El Primostar 1 es un microscopio de luz transmitida de diseño compacto y pequeño tamaño.

El Primostar 1 es un microscopio especialmente desarrollado para la formación y la práctica. Presenta una gran durabilidad en el uso permanente.

3.1 Principales componentes del Primostar 1

Primostar 1 incluye los siguientes componentes principales



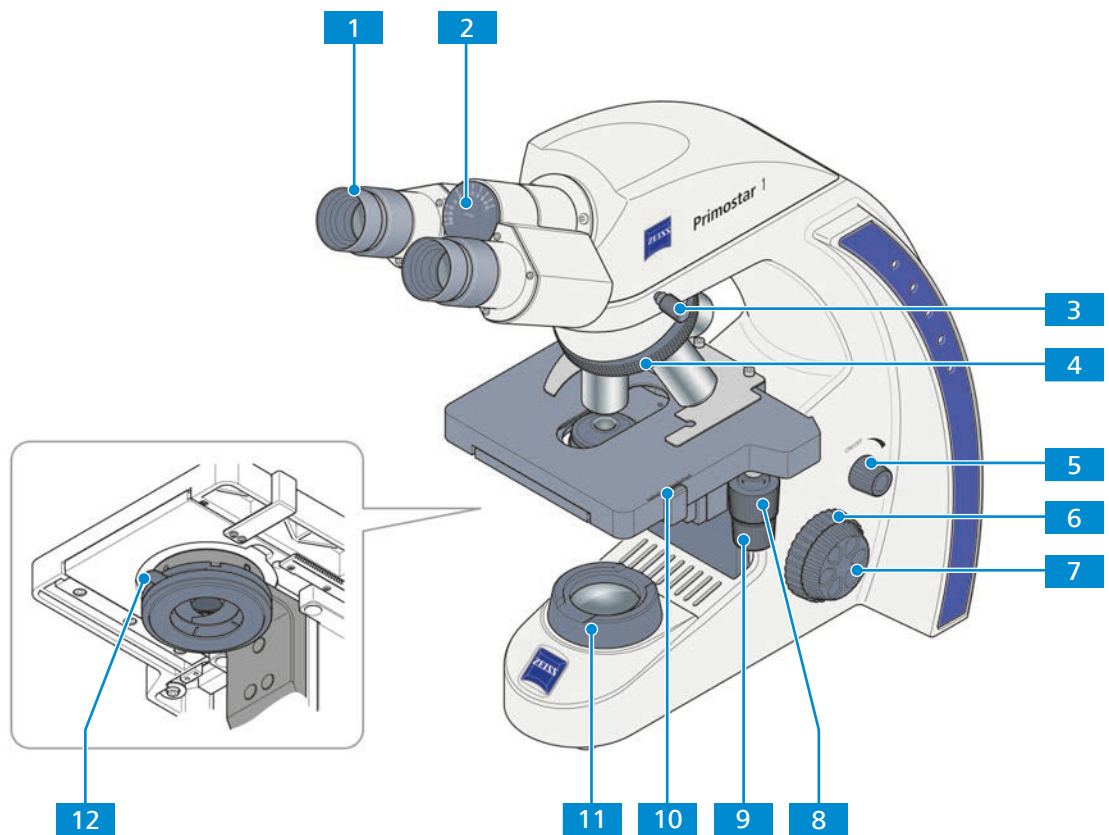
Cifra 2: Componentes principales del Primostar 1

| | | | |
|----------|-------------------------------------------|-----------|-----------------------------------|
| 1 | Platina de microscopio | 2 | Ocular |
| 3 | Tubo | 4 | Revólver |
| 5 | Objetivo | 6 | Portamuestras |
| 7 | Base | 8 | Unidad de suministro de corriente |
| 9 | Unidad de iluminación por luz transmitida | 10 | Condensador Abbe, Fixed Köhler |

3.2 Mandos e indicadores en el estativo

Propósito Los controles de la base controlan las principales funciones del microscopio.

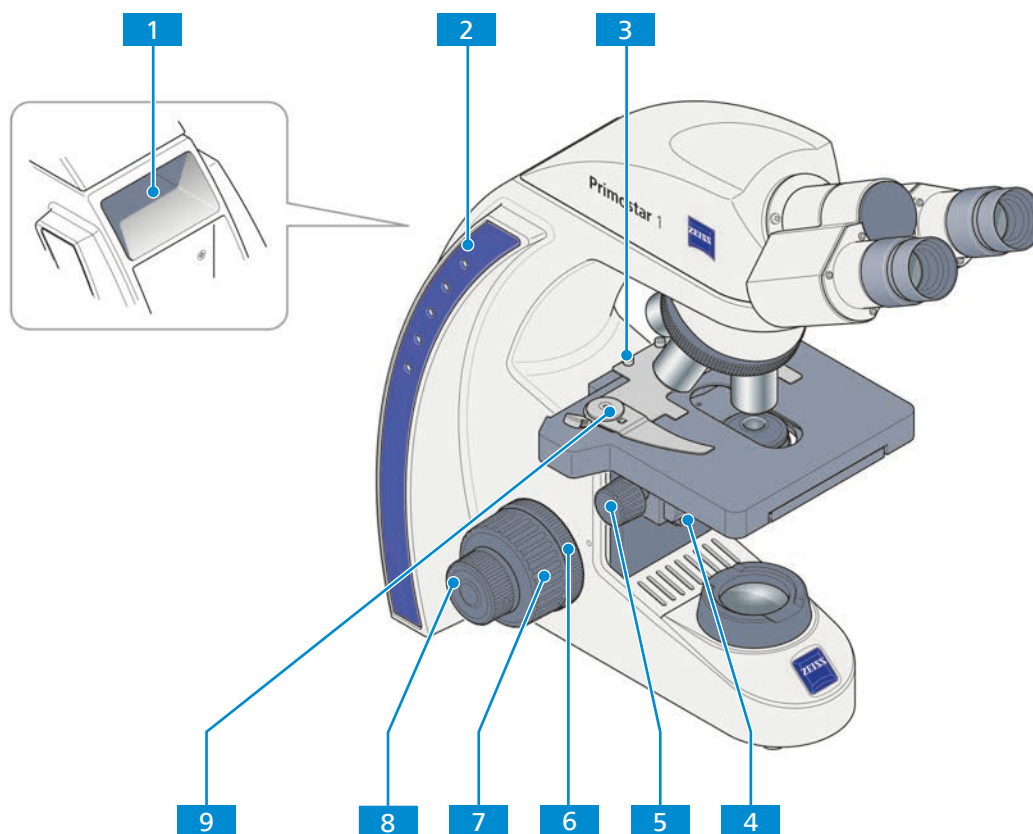
Posición Los siguientes controles están ubicados en el lado derecho de la base.



Cifra 3: Controles de la base situados en el lado derecho

- | | |
|--------------------------------------------------------------------------------|--------------------------------------------------------------------------------|
| 1 Ocular giratorio | 2 Indicador de distancia interpupilar |
| 3 Tornillo de fijación del tubo de observación | 4 Ruedecilla moleteada para girar el revólver |
| 5 Pomo regulador de intensidad luminosa | 6 Perilla macrométrica (lado derecho) |
| 7 Perilla micrométrica (lado derecho) | 8 Pomo de control del desplazamiento en el eje Y de la platina sin rack |
| 9 Pomo de control del desplazamiento en el eje X de la platina sin rack | 10 Nonio y escala, que indican la posición Y de la platina |
| 11 Unidad de iluminación por luz transmitida | 12 Palanca para ajustar el diafragma de apertura del condensador |

Posición Los siguientes controles están ubicados en el lado izquierdo de la base.

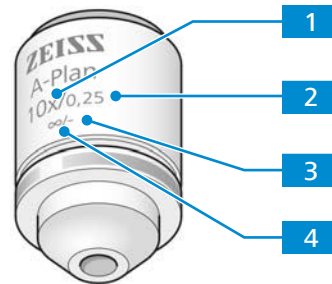


Cifra 4: Controles de la base situados en el lado izquierdo

- | | |
|---------------------------------------------------------------------|-------------------------------------------------------------------------------------|
| 1 Asa para transporte | 2 Indicadores de la intensidad de iluminación de la luz transmitida |
| 3 Tornillo de inmovilización del porta-muestras | 4 Tornillo de fijación para bajar el condensador |
| 5 Ruedecilla moleteada para ajuste de altura del condensador | 6 Ruedecilla moleteada para ajuste de la suavidad de la perilla macrométrica |
| 7 Perilla macrométrica (lado izquierdo) | 8 Perilla micrométrica (lado izquierdo) |
| 9 Palanca del portamuestras para fijar la muestra | |

3.3 Objetivos

Las características funcionales de un objetivo están indicadas en las etiquetas correspondientes, por ejemplo, **A-Plan 10x/0,25 ∞/-**.



1 Aumento del objetivo

El factor de aumento especifica el aumento del objetivo. Un aumento mayor permite resolver características de tamaño más reducido de una muestra.

El factor de aumento del objetivo también se expresa a través del anillo de color del objetivo, véase el código de colores de ZEISS.

El aumento del objetivo multiplicado por el aumento del ocular da el aumento total.

2 Apertura numérica (NA)

La apertura numérica multiplicada por 1000 representa el máximo aumento útil - no hay resolución adicional por encima de ese valor.

3 Grosor del cristal de cubierta aplicable

- : El objetivo se puede usar sin un cristal de cubierta o con uno de un grosor de 0,17 mm.

0: El objetivo se puede usar sin cristal de cubierta.

0,17: El objetivo se puede usar con un cristal de cubierta con un grosor de 0,17 mm.

4 Longitud del tubo mecánico

El objetivo se puede usar con tubos de cualquier longitud.

Info

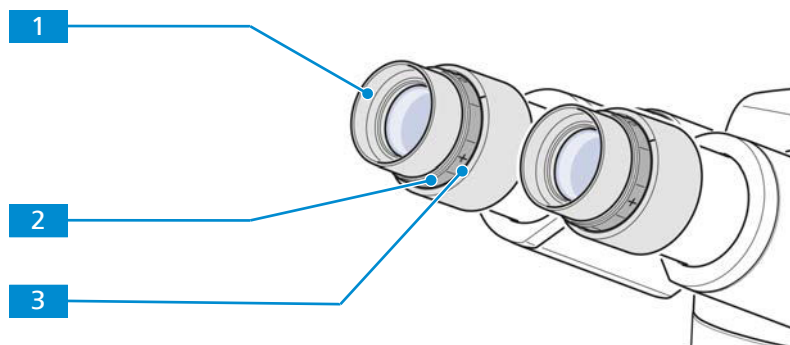
Debido a su corta distancia de trabajo, los siguientes objetivos incorporan una montura resistente (protección de la muestra):

- ▶ 40x
- ▶ 100x oil

3.4 Ocular

Propósito Los oculares sirven para observar la imagen microscópica.

Posición Los oculares se insertan en el tubo.



Cifra 5: Ocular

1 Ocular de goma plegable

2 Anillo de enfoque para compensar los defectos de visión

3 Escala de dioptrías para facilitar la búsqueda del ajuste correcto

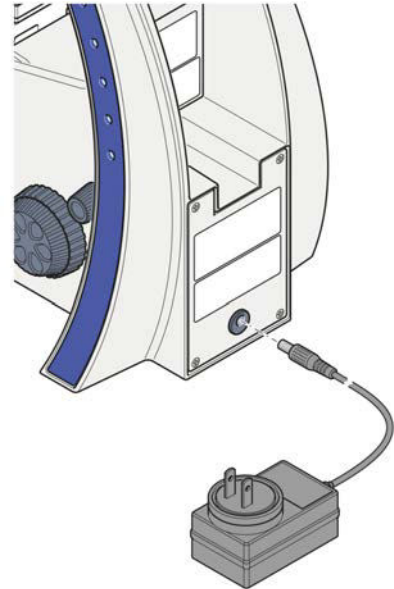
Función Ambos oculares son adecuados para usuarios con gafas. Adicionalmente, contienen un anillo de enfoque para compensar los defectos de visión. La escala de dioptrías incluida ayuda a encontrar el ajuste correcto.

4 Instalación

Realice únicamente los trabajos de instalación descritos en este documento. Cualquier otro trabajo de instalación no descrito abajo solamente puede ser llevado a cabo por un representante de servicio técnico de ZEISS.

4.1 Conexión del microscopio a la red eléctrica

- Procedimiento**
1. Retirar la unidad de alimentación enchufable de su soporte de almacenamiento.
 2. Conectar la fuente de alimentación enchufable a la toma de corriente del microscopio.



3. Si es necesario, sustituir el adaptador de toma de corriente instalado por uno de los adaptadores específicos del país suministrados.
4. Conectar la fuente de alimentación enchufable a la red eléctrica.

5 Primeros pasos operativos

Este capítulo describe el encendido/apagado y los primeros pasos operativos del Microscopio.

Info

Encontrará más información y descripciones detalladas en los otros documentos aplicables o bien consulte a su socio de ventas y servicio posventa ZEISS.

Info

Encontrará más información sobre el software y su manejo en la ayuda en línea del software.

5.1 Requisitos para la puesta en funcionamiento y la operación

Para la puesta en servicio y el manejo del equipo se deben cumplir los siguientes requisitos previos básicos:

- Se debe haber leído el manual de instrucciones antes de la puesta en servicio o manejo y se debe conservar para un futuro uso.
- Se debe haber leído y comprendido el capítulo **Seguridad**.
- El operador debe conocer los programas de uso generalizado basados en el sistema operativo Windows®.
- Si es preciso: se deben haber superado con éxito un curso de formación (capacitación) básica y un adiestramiento en seguridad.

5.2 Encendido del microscopio

Requisito previo ✓ *El microscopio está conectado a la red eléctrica [▶ 265].*

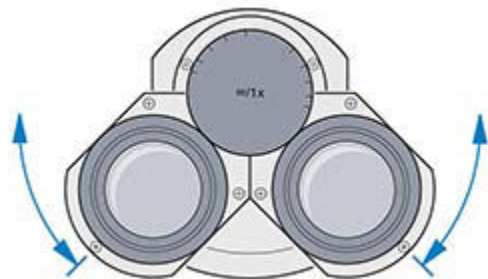
- Procedimiento**
1. Girar el botón de intensidad de la luz.
 2. Ajustar la iluminación a la intensidad deseada.
 - La intensidad seleccionada se indica mediante los diodos luminosos del estativo.

5.3 Ajuste de la posición de los oculares

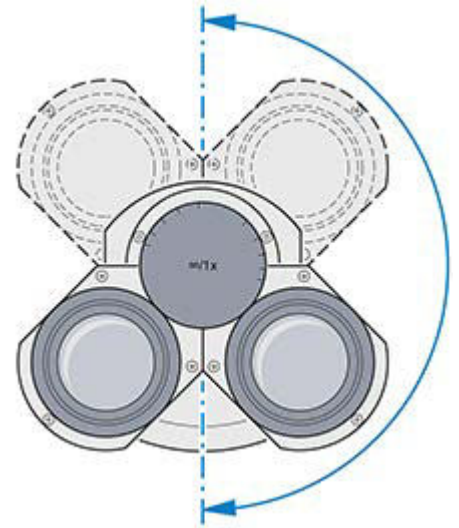
Info

El ajuste de la distancia interpupilar es correcto cuando solo se ve una imagen redonda mientras se mira a través de los dos oculares.

- Procedimiento**
1. Ajustar la distancia interpupilar girando los tubos de los oculares de forma simétrica, acercándolos o alejándolos..

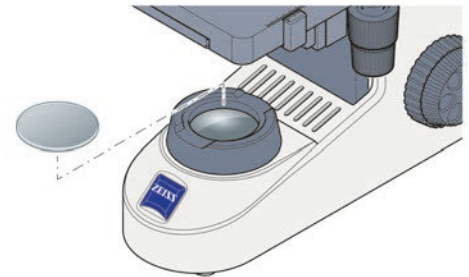


2. Ajustar la altura de observación girando los oculares 180° hacia arriba o hacia abajo.



5.4 Instalación del filtro azul

- Procedimiento**
1. Colocar el filtro azul en el diafragma de campo luminoso.



Proceder en orden inverso para la retirada.

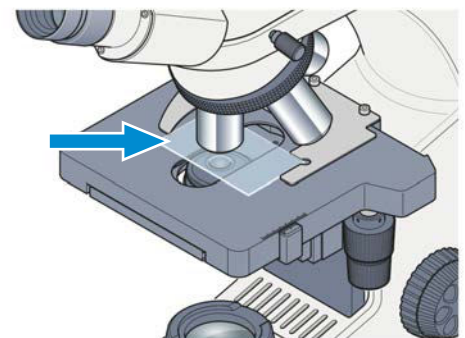
5.5 Adquisición de una imagen

Info

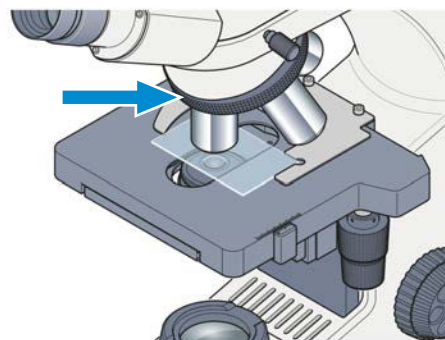
El microscopio se suministra con el ajuste de fábrica

Requisito previo ✓ *La posición de los oculares ha sido ajustada [▶ 266].*

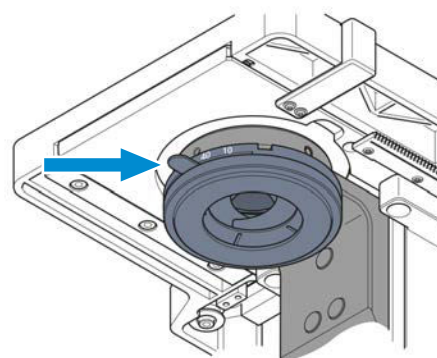
- Procedimiento**
1. Coloque la muestra en el portamuestras de la platina mecánica.



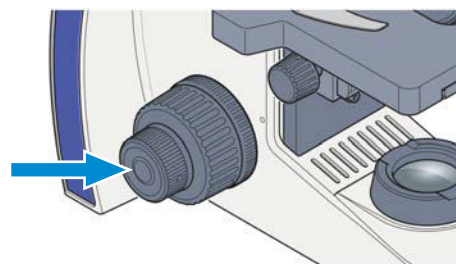
2. Seleccione el número de aumentos deseado colocando el objetivo correspondiente en la trayectoria de la luz.



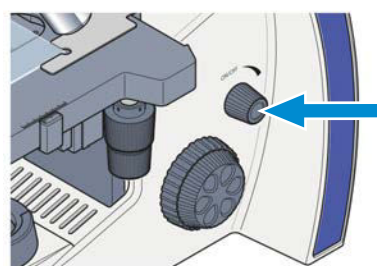
3. Ajuste la palanca de control del diafragma de apertura del condensador al valor del número de aumentos seleccionado (**10x**, **40x** o **100x**).



4. Enfoque sobre la muestra con la perilla de enfoque.



5. Utilice el pomo rotativo de la intensidad de iluminación para ajustar la iluminación a un ajuste confortable.



5.6 Cambio de objetivos

AVISO

Componentes sensibles al polvo

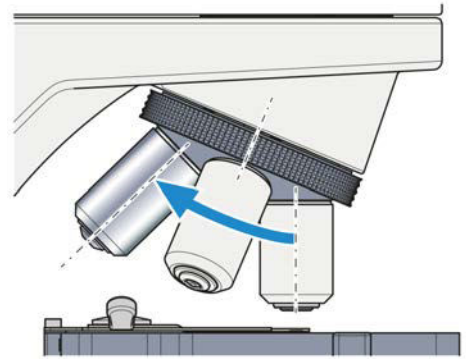
Si las aberturas del revólver no utilizadas permanecen sin cubrir, pueden entrar partículas en el Microscopio y dañar su óptica y su mecánica de forma permanente.

- ▶ Cerrar siempre los orificios del revólver que no se utilicen con tapas.

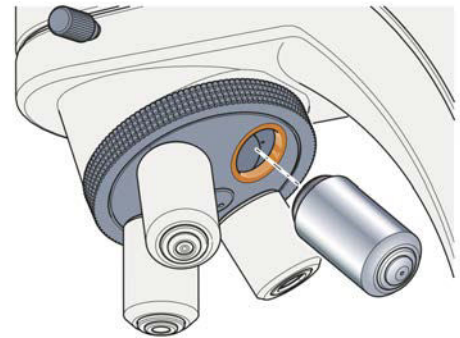
Los objetivos deben instalarse según la dirección indicada en la figura en orden de aumento.

- Procedimiento**
1. Utilizar el accionamiento de enfoque para bajar completamente la platina mecánica o el portaplatina.

2. Retirar la tapa o desenroscar el objetivo actual de la abertura correspondiente del revólver.



3. Sacar el objetivo de su estuche.
4. Enroscar con cuidado el objetivo en la abertura. Asegurarse de que encaje correctamente en la rosca del revólver.



5.7 Apagado del microscopio

- Procedimiento**
1. Girar el botón de intensidad de la luz.
→ Los diodos emisores de luz se apagan.
 2. Cubrir el microscopio con la cubierta antipolvo.

6 Trabajos de limpieza y mantenimiento

Para asegurar la óptima capacidad de rendimiento del Microscopio, se debe proceder a su mantenimiento a intervalos regulares. Para mantener la seguridad operativa y la fiabilidad del Microscopio, le recomendamos formalizar un **Contrato de servicio ZEISS Protect**. Conserve las actas de servicio técnico de su Microscopio.

PELIGRO

Descarga eléctrica debida a piezas con tensión

Cuando el Microscopio está todavía encendido, el contacto con piezas con tensión puede dar lugar a una descarga eléctrica o quemaduras.

- ▶ Apague el Microscopio antes de la apertura o limpieza.
- ▶ Desenchufe las piezas conductoras de la alimentación.

AVISO

Mal funcionamiento debido a la suciedad y la humedad

La suciedad, el polvo y la humedad pueden afectar al funcionamiento del Microscopio e incluso provocar cortocircuitos.

- ▶ Coloque la cubierta antipolvo si no está usando el Microscopio.
- ▶ Las rejillas de ventilación se deben mantener siempre despejadas.
- ▶ Mantenimiento y limpieza regulares conforme a las instrucciones de este documento y a las instrucciones de los documentos correspondientes.
- ▶ Asegúrese de que no penetre líquido de limpieza ni humedad en el Microscopio.
- ▶ En caso de daños, se deben poner inmediatamente fuera de servicio las piezas afectadas y todo el Microscopio.





6.1 Limpieza de la superficie óptica

AVISO

Daños en la lente debido a una limpieza indebida

- ▶ Elimine lentamente y con sumo cuidado el polvo de la lente.
- ▶ Elimine el polvo de las superficies de la óptica con un cepillo de pelo natural o sople con un fuelle de goma.

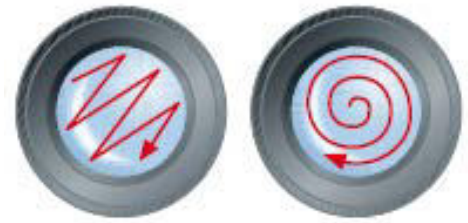
Piezas y herramientas

-  Paño limpio
-  Bastoncillo
-  Solución de limpieza óptica (85 % de n-hexano y 15 % vol. de alcohol isopropílico [IPA])
-  Paño sin pelusa

Procedimiento

1. Humedecer un bastoncillo o un paño limpio en solución de limpieza óptica, si es necesario.

2. Limpiar las superficies ópticas con movimientos circulares hacia el borde de la óptica ejerciendo una ligera presión.



INCORRECTO

CORRECTO

3. Secar con un paño sin hilachas.

6.2 Eliminación de la suciedad hidrosoluble

- Piezas y herramientas**
- 🔧 Paño limpio
 - 🔧 Paño sin pelusa

- Procedimiento**
1. Humedecer un paño limpio con agua.
→ Puede sustituirse el agua por una solución suave de detergente (¡sin disolventes!).
 2. Limpiar el área con el paño.
 3. Secar con un paño sin hilachas.

7 Localización y solución de problemas

La siguiente tabla proporciona información para resolver problemas habituales.

Info

Si no puede resolver el problema o si tiene dudas respecto a una dificultad técnica en particular, póngase en contacto con su representante local del servicio técnico de ZEISS.

| Síntoma | Causa | Eliminación y solución |
|------------------------------------------------------------------------------------|---------------------------------------------------------------------------------------------------------|-------------------------------------------------------------------------------------------------------------------------------------------------------|
| El campo de visión no es completamente visible | El revolver con el objetivo no se ha situado en la posición de tope-clic. | Situar el revolver con el objetivo en la posición de tope-clic. |
| | El filtro no está colocado correctamente en el diafragma de campo luminoso. | <i>Colocar correctamente el filtro [▶ 267].</i> |
| Baja potencia de resolución y contraste de imagen deficiente | El diafragma de apertura no se ha ajustado correctamente. | Ajustar el diafragma de apertura según la regla de los 2/3 o las características de la muestra. |
| | El condensador no está correctamente enfocado. | Enfocar el condensador. |
| | Se utiliza un grosor de cristal de cubierta erróneo para los objetivos de luz transmitida. | Utilizar un cristal de cubierta estándar con un grosor de 0,17 mm si los objetivos están corregidos para un grosor de cristal de cubierta de 0,17 mm. |
| | Los objetivos de inmersión se utilizan sin aceite de inmersión o con un aceite de inmersión inadecuado. | Utilizar el aceite de inmersión 518 N o 518 F de ZEISS. |
| | El aceite de inmersión contiene burbujas de aire. | Repetir el procedimiento de aceitado con aceite nuevo. |
| | La lente frontal de un objetivo seco se ensucia con aceite de inmersión. | Limpiar la lente frontal del objetivo seco. |
| | Suciedad o polvo en las superficies ópticas de los objetivos, oculares, condensador o filtros. | Limpiar los componentes ópticos correspondientes. |
| Diferencia significativa en la posición de enfoque después de cambiar el objetivo. | Los oculares de enfoque no están ajustados correctamente. | Ajustar los oculares de enfoques para los correspondientes defectos de visión. |
| La fuente LED no se enciende al girar el botón de intensidad de la luz. | El enchufe no está conectado a la toma de corriente. | <i>Conectar el enchufe de alimentación en la salida de alimentación [▶ 265].</i> |

| Síntoma | Causa | Eliminación y solución |
|----------------------------------------------------------------|--------------------------------------------------------------------|-------------------------------------------------------------------------|
| La platina desciende por sí sola, enfoque de imagen inestable. | El par ajustado del mando de enfoque aproximado es demasiado bajo. | Ponerse en contacto con el representante del servicio técnico de ZEISS. |

8 Puesta fuera de servicio y eliminación

Este capítulo contiene información sobre el desmantelamiento y la eliminación del Microscopio y sus ampliaciones/componentes o accesorios.

8.1 Puesta fuera de servicio

Si el Microscopio no se usa durante un periodo prolongado, por ejemplo, varios meses, se debe desconectar por completo y asegurar contra el acceso de personas no autorizadas. La puesta fuera de servicio completa del Microscopio debe encomendarse al representante de servicio técnico de ZEISS.

PELIGRO

Descarga eléctrica debida a piezas con tensión

Cuando el Microscopio está todavía encendido, el contacto con piezas con tensión puede dar lugar a una descarga eléctrica o quemaduras.

- ▶ Apague el Microscopio antes de la apertura o limpieza.
- ▶ Desenchufe las piezas conductoras de la alimentación.

- Procedimiento**
1. Apague el Microscopio.
 2. Desenchufe de la red.

8.2 Descontaminación

Antes de devolver los objetos usados a una sede de ZEISS, se debe presentar una declaración de descontaminación.

Si no se puede garantizar una descontaminación fiable, se debe identificar el riesgo de conformidad con las disposiciones legales. En general, se debe colocar sobre el artículo y sobre el exterior del embalaje un letrero de advertencia claramente visible, junto con una indicación exacta del tipo de contaminación.

8.3 Transporte y almacenamiento

Las siguientes normativas deben observarse antes y durante el transporte:

- Las cajas deben estar aseguradas durante el transporte.
- Evitar mover las cajas de un lado a otro.
- Observar la información sobre el peso en el embalaje y en el documento de expedición.
- En la medida de lo posible el embalaje original debe utilizarse para el envío o transporte.

Máxima resistencia a los impactos

- No dejar caer ni golpear las cajas durante el movimiento o el almacenamiento. Cualquier aceleración debe ser <10 g.
- Evaluar los sensores de inclinación e impactos de embalaje en el momento de la entrega y después del transporte interno.

Temperatura admisible

Temperatura admisible durante el almacenamiento en las instalaciones:

- Entre -10 °C y +40 °C
- Humedad relativa inferior a 80 % a +40 °C

Temperatura admisible durante el transporte en el embalaje:

- Entre -40 °C y +70 °C

Info

24 horas antes de la instalación del Microscopio se requiere que las cajas estén a la temperatura ambiente recomendada para evitar la entrada de humedad, que es muy dañina para las piezas ópticas y para asegurar la estabilidad efectiva del Microscopio durante la instalación y las pruebas.

8.4 Eliminación

El Microscopio y sus componentes no se deben tirar a la basura doméstica ni eliminar mediante las empresas municipales de eliminación de residuos. Se deben eliminar de conformidad con las disposiciones legales (Directiva WEEE 2012/19/UE). Para la recuperación y el reciclaje de dispositivos dentro de los Estados miembros de la Unión Europea, ZEISS ha implementado un sistema que asegura su reutilización adecuada conforme a las Directivas de la UE mencionadas. Corresponde al cliente encargarse de la descontaminación.

Info

Si desea más información sobre la eliminación y el reciclaje, diríjase a su socio de ventas y servicio posventa ZEISS.

9 Datos técnicos y conformidad

Este capítulo contiene los datos técnicos principales, así como los datos sobre la conformidad.

9.1 Normas y reglamentación aplicables

Observar las normas legales y específicas del país para la seguridad y prevención de accidentes, así como las leyes y reglamentos de protección ambiental aplicables.

El Microscopio cumple los requisitos de las siguientes normas y directivas:

| | |
|-----------------------------------------|-----------------------------------------------------------------------------------------------------------------------------------------------------------------------------------------------------------------|
| 2011/65/UE 2015/836/UE | Directiva RoHS |
| 98/79/CE | Directiva sobre diagnóstico in vitro (IvD) |
| EN 55011 | Emisión de ruido conforme a CISPR 11, grupo 1, clase B , previsto para su uso en un entorno industrial |
| EN 61010-1 y IEC 61010-2-101 | Requisitos de seguridad para material eléctrico para medida, control y uso en laboratorio |
| DIN EN 61326-1 DIN EN 61326-2-6:2013 | Material eléctrico para medida, control y uso en laboratorio. Requisitos de compatibilidad electromagnética (CEM) / Requisitos particulares. Equipo médico de diagnóstico in vitro (IVD) |
| EN 62471 | Seguridad fotobiológica de lámparas y de los aparatos que utilizan lámparas Cumplimiento de los valores límite conforme a la norma EN 62471, grupo de riesgo 1 (grupo de riesgo exento: mirar por el ocular) |

El Microscopio y sus accesorios se han clasificado en la categoría de instrumentos 9 (equipo de laboratorio o norma comparable). También cumple, según corresponda, con los reglamentos de la UE 2011/65/UE (RoHS) y 2012/19/UE (RAEE).

Directivas y normas europeas e internacionales: Si desea más información sobre los certificados CSA e ISO y las declaraciones de conformidad de la CE, póngase en contacto con su socio de ventas y servicio posventa ZEISS.

ZEISS desarrolla sus actividades conforme a un sistema de gestión del medioambiente certificado de conformidad con la ISO 14001. El Microscopio se ha desarrollado, probado y fabricado de acuerdo con las regulaciones y directrices válidas en materia de legislación medioambiental aplicables en la Unión Europea.

9.2 Especificaciones / datos de rendimiento

El Microscopio debe utilizarse exclusivamente en salas cerradas. Es recomendable instalar el Microscopio en una sala oscura en la que la iluminación artificial, la luz del sol u otras fuentes de luz no puedan interferir con la obtención de imágenes. El Microscopio no debe instalarse cerca de ventanas con luz solar directa o radiadores. El cumplimiento de los requisitos de instalación del Microscopio y la disponibilidad de los suministros solicitados es responsabilidad del cliente y debe proporcionarse en el momento de la instalación. Debido al desarrollo continuo, nos reservamos el derecho a cambiar las especificaciones sin notificación.

El Microscopio se debe conectar en una toma adecuadamente instalada con puesta a tierra, usando el cable de red suministrado. No se debe interrumpir la continuidad de la puesta a tierra mediante el uso de cables alargadores.

Info

Su socio de ventas y servicio posventa ZEISS le proporcionará las condiciones de instalación detalladas.

Peso y tamaños

| Componentes principales | Longitud (mm) | Anchura (cm) | Altura (cm) | Peso (kg) |
|-----------------------------|---------------|--------------|-------------|-----------|
| Estativo con tubo binocular | 410 | 190 | 395 | 7,7 |

Aire acondicionado y calidad

| | |
|----------------------------------------|---------------------------------------------------|
| Rango de temperatura de funcionamiento | Desde 5 a 40 °C |
| Humedad relativa | < 80 % a 35 °C |
| Presión atmosférica/altitud | De 800 a 1060 hPa/≤ 2000 m sobre el nivel del mar |
| Grado de contaminación | 2 |

Fuente de alimentación enchufable

| | |
|-----------------------------------|-------------------------------------------------|
| Tensión nominal de CA | L/N 100 a 240 V ± 10 % |
| Frecuencia nominal | 50/60 Hz |
| Enchufe de alimentación principal | Se suministrará enchufe de red eléctrica local. |
| Consumo de potencia | máx. 0.8 A |
| Salida | 12 V CC, máx. 2.5 A |

Conexión a la red eléctrica

| | |
|------------------------------|------------------------|
| Entrada nominal del estativo | 12 V CC, 2.5 A |
| Clase de protección | IP20 (IEC 60529) |
| Clase de tierra IEC | Clase III de IEC 61140 |
| Categoría de sobretensión | II |

9.3 Datos de rendimiento y especificaciones de los componentes opcionales

El cliente es responsable de garantizar que las condiciones de instalación del microscopio se cumplan y que el equipo necesario ya esté disponible en el momento de la instalación. Sujeto a modificaciones debido a los continuos avances técnicos.

Iluminación LED

| | |
|----------------------------------------------------------|------------|
| LED | Luz blanca |
| Longitud de onda máxima | 440 nm |
| Clase de LED | 1 |
| Constante, temperatura de color independiente del brillo | 3200 K |

| | | |
|---------------------------------------|-----------------------------------------------|----------------------------------------------|
| | Iluminación del campo homogéneo | 20 mm (diámetro) |
| | Apto para objetivos con aumentos de | 4x a 100x |
| | Ajuste de brillo análogo de | aprox. 15 a 100 % |
| Base con enfoque de la platina | Perilla macrométrica | 42 mm / rev. |
| | Perilla micrométrica | 0,2 mm / rev. |
| | Elevación total de la platina | 15 mm |
| Revólver | Cambio de objetivo | Manual mediante revólver de cuatro objetivos |
| | Objetivos | Rango de objetivos corregidos al infinito |
| | Rosca de montaje | W 0.8 |
| Oculares | Tamaño del tubo | 30 mm |
| | Número de campo de visión | 20 |
| | Aumento | 10x |
| | Apto para usuarios que llevan gafas | Br. |
| | Enfocable | Foc. |
| Platina de muestras | Tipo | Sin cremallera |
| | Dimensiones (ancho x profundidad) | 140 x 140 mm |
| | Recorrido de platina (X x Y) | 75 x 40 mm |
| | Accionamiento coaxial | Opcional a derecha o izquierda |
| | Escala de Vernier | Lectura desde la derecha |
| | Portamuestras | Con palanca de resorte, izquierda |
| Condensador | Condensador Abbe 0,9; Köhler fijo | para V_{obj} 4x a 100x |
| Espejo de iluminación | Superficie plana y superficie esférica con f' | 75 mm |
| Tubo binocular 30°/20 | Número de campo de visión máximo | 20 |
| | Distancia interpupilar | Ajustable entre 50 y 75 mm |
| | Ángulo de tubo | 30% |
| | Altura de visión | 380 a 415 mm |
| | Puerto de visualización, factor de tubo | 1x |

10 Accesorios y ampliaciones opcionales del sistema

Solo los siguientes accesorios pueden utilizarse con el Microscopio dado que su uso seguro ha sido confirmado por parte de ZEISS. Solo se permite el uso de piezas originales de ZEISS. Compruebe de antemano si su Microscopio puede reequiparse con una ampliación del sistema.

Tras la instalación o el reequipamiento, se debe comprobar concienzudamente si el Microscopio y sus ampliaciones o componentes del sistema están en buen estado de funcionamiento seguro y que los puertos no ocupados en el estativo están cerrados. Encontrará detalles y medidas de seguridad en los documentos correspondientes.

Info

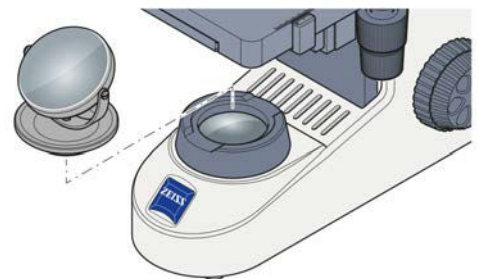
Encontrará más información y descripciones detalladas en los otros documentos aplicables o bien consulte a su socio de ventas y servicio posventa ZEISS.

| Nombre | Descripción/Información |
|-----------|-------------------------------------------------------------------------------------------------------------------------------------------------------------------------------------------------------------------------------------------------------------------------------------------------------------------------------------------------------------------------------------------------------------------------------------------------------------------------------------------------------------------------------------------------------------------------------------------------------------------|
| Objetivos | <p>Las prestaciones de los objetivos del microscopio afectan a la calidad de la imagen de su microscopio como ningún otro componente del sistema. Ya trabaje con muestras histológicas, muestras de células u organismos enteros, la idoneidad de los objetivos del microscopio para su aplicación depende de diversos factores.</p> <p>Encontrará información más detallada sobre los objetivos disponibles y recomendados en https://www.micro-shop.zeiss.com/de/de/shop/objectives o pregunte a su ZEISS Sales & Service Partner.</p> |
| Espejo | Cuando no hay disponible una toma de corriente, el espejo sirve para iluminar la muestra. |

10.1 Instalación del espejo

Función El espejo sirve para iluminar la muestra si no se dispone de una toma de corriente.

Procedimiento 1. Colocar el espejo en la montura del diafragma de campo luminoso.



2. Rote e incline el espejo hasta que la luz del día quede reflejada de forma homogénea en la trayectoria de la luz.

Proceder en orden inverso para la retirada.

Glosario

NA

Apertura numérica

Representante de servicio técnico de ZEISS

Experto de servicio especialmente capacitado, ya sea personal de ZEISS o socio de servicio autorizado de ZEISS.

Socio de ventas y servicio posventa ZEISS

El socio de ventas y servicio posventa está generalmente disponible para la atención al cliente en un área regional y/o un grupo de clientes claramente definido.

Usuario

Persona examinando una muestra bajo el microscopio.

ZEISS

Zeiss es una empresa líder en tecnología a escala internacional que opera en los campos de la óptica y la optoelectrónica. Encontrará más información sobre ZEISS en www.zeiss.com.

Índice

A

| | |
|-------------------------------------|----------|
| Accesorios | 279 |
| advertencia | |
| Etiquetas | 258 |
| Etiquetas de | 259 |
| Luces | 258 |
| Aire acondicionado y calidad | 277 |
| Altura de visión | 267 |
| Ampliaciones opcionales del sistema | 279 |
| Instalación | 279 |
| Apagado | 269, 274 |
| Apertura numérica | 263 |

C

| | |
|-------------------------------------------|-----|
| Campo brillante | 267 |
| Campo brillante con luz transmitida | 267 |
| Condiciones para un funcionamiento seguro | 257 |
| Conexión a la red eléctrica | 277 |
| Conexión del microscopio | 265 |
| Contaminación | 274 |
| Controles | 261 |

D

| | |
|------------------------|-----|
| Datos de rendimiento | 276 |
| Descontaminación | 274 |
| Distancia interpupilar | 266 |

E

| | |
|--------------------------|-----|
| Eliminación | 275 |
| Encendido | 266 |
| Espejo | 279 |
| Etiquetas de advertencia | 259 |
| Etiquetas de información | 259 |

F

| | |
|------------------------------|-----|
| Factor del zoom del objetivo | 263 |
| Filtro | 267 |
| Formación | 257 |

I

| | |
|--------------------------------------|-----|
| Imagen | 267 |
| Instalación | |
| Espejo | 279 |
| Filtro | 267 |
| Objetivo | 268 |
| Instrucciones generales de seguridad | 256 |

L

| | |
|--------------------------------------|-----|
| Limpieza | |
| Suciedad hidrosoluble | 271 |
| Localización y solución de problemas | 272 |

M

| | |
|--------------------|-----|
| Manejo | |
| Requisitos previos | 266 |
| Mantenimiento | 270 |

O

| | |
|----------|----------|
| Objetivo | 263, 268 |
| Ocular | 264 |

P

| | |
|----------------|-----|
| Peso y tamaños | 277 |
|----------------|-----|

R

| | |
|--------------------|-----|
| Requisitos | |
| para operadores | 256 |
| Requisitos previos | |
| Manejo | 266 |
| Riesgos | 257 |
| Prevención | 257 |

S

| | |
|-----------|-----|
| Seguridad | 256 |
|-----------|-----|

U

| | |
|----------------------|-----|
| Utilización prevista | 256 |
|----------------------|-----|

Z

| | |
|-----------------------|-----|
| ZEISS | |
| Contratos de servicio | 270 |
| Portal | 255 |



authorized dealer:
Pulch + Lorenz microscopy
Am Untergrün 23, D-79232 March
tel: 07665 9272-0
fax: 07665 9272-20
mail: kontakt@pulchlorenz.de
web: pulchlorenz.de

Carl Zeiss Microscopy GmbH
Carl-Zeiss-Promenade 10
07745 Jena
Germany

phone: +49 1803 33 63 34
fax: +49 3641 64 3439

info.microscopy.de@zeiss.com
www.zeiss.com/microscopy